

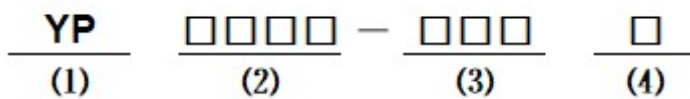
■ Features

- High current Type.
- Ferrite bobbin core and compact size.
- Low core loss for high frequency power application.
- Large terminal surface for good PCB bonding.
- Operating temperature:-40°C ~ +125°C.

■ Applications

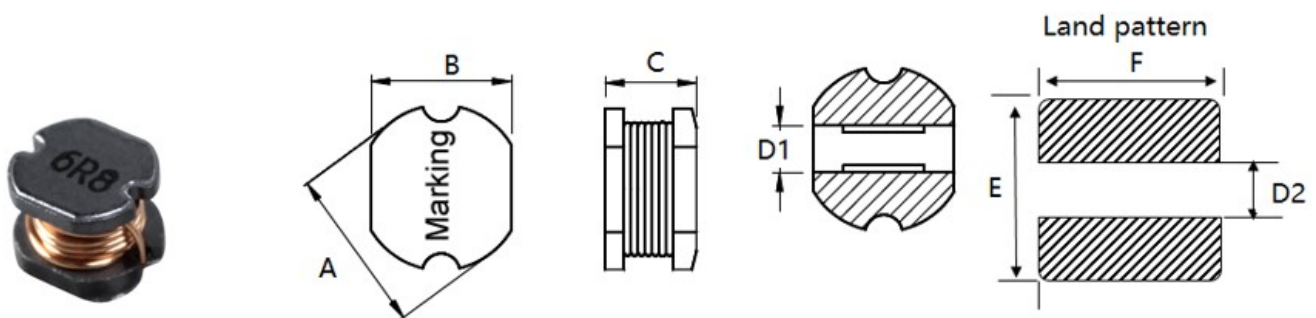
- Portable communication equipment.
- Notebook PC,digital camera,LCD television set.
- Power supply for VTR,OA equipment.
- DC/DC converters.

■ Product Identification



- (1) : Type
- (2) : Dimensions
- (3) : Inductance value
- (4): Inductance Tolerance: N=±30%,M=±20%, L=±15%, K=±10%

■ Shapes and Dimensions (Unit: mm)



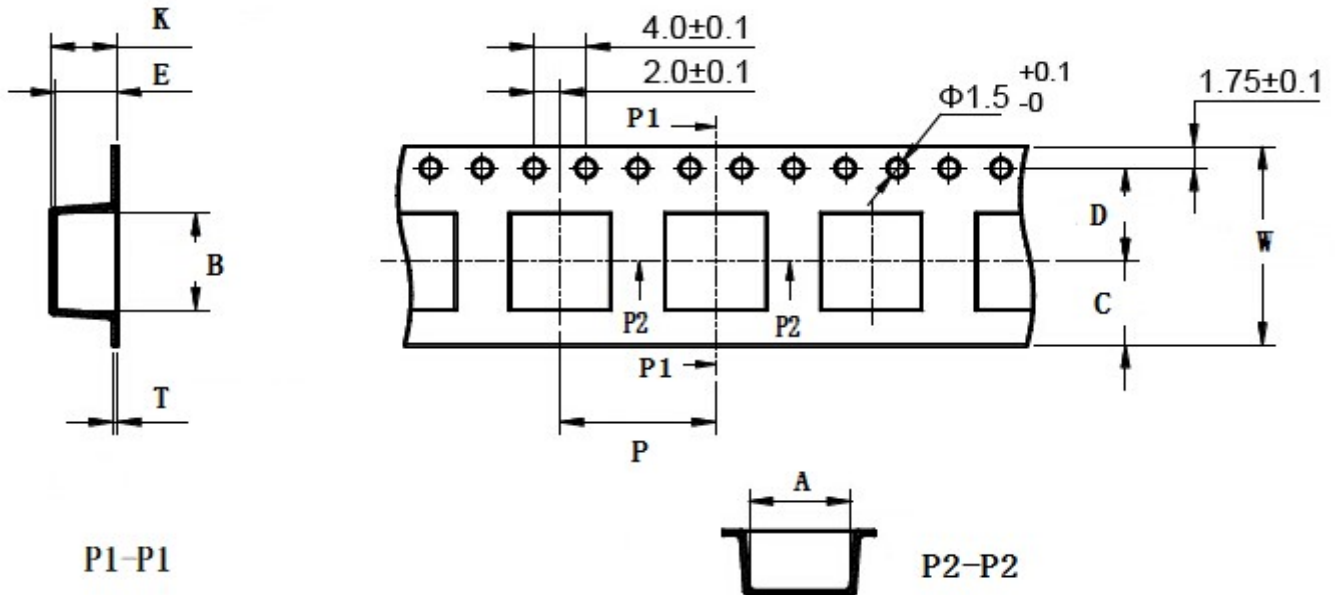
| TYPE | A | B | C | D1 Ref. | D2 Ref. | E Ref. | F Ref. |
|--------|---------|---------|---------|---------|---------|--------|--------|
| YP0301 | 3.5±0.3 | 3.0±0.3 | 1.1±0.3 | 1.0 | 1.0 | 3.6 | 3.2 |

■ YP0301 Series

| Part Number | Inductance (μ H) | L Test Frequency (KHz) | Max.DC Resistance (Ω) | Max.Rated Current (A) |
|-------------|--------------------------|---------------------------|-----------------------------------|--------------------------|
| YP0301-1R0□ | 1.00 | 100 | 0.110 | 1.50 |
| YP0301-1R2□ | 1.20 | 100 | 0.110 | 1.24 |
| YP0301-1R5□ | 1.50 | 100 | 0.128 | 1.06 |
| YP0301-2R2□ | 2.20 | 100 | 0.194 | 0.88 |
| YP0301-3R3□ | 3.30 | 100 | 0.270 | 0.79 |
| YP0301-3R9□ | 3.90 | 100 | 0.321 | 0.68 |
| YP0301-4R7□ | 4.70 | 100 | 0.376 | 0.66 |
| YP0301-5R6□ | 5.60 | 100 | 0.393 | 0.61 |
| YP0301-6R8□ | 6.80 | 100 | 0.485 | 0.56 |
| YP0301-8R2□ | 8.20 | 100 | 0.628 | 0.50 |
| YP0301-100□ | 10.0 | 100 | 0.809 | 0.45 |
| YP0301-120□ | 12.0 | 100 | 0.901 | 0.40 |
| YP0301-150□ | 15.0 | 100 | 1.063 | 0.37 |
| YP0301-180□ | 18.0 | 100 | 1.231 | 0.34 |
| YP0301-220□ | 22.0 | 100 | 1.750 | 0.31 |
| YP0301-270□ | 27.0 | 100 | 2.113 | 0.28 |
| YP0301-330□ | 33.0 | 100 | 2.888 | 0.24 |
| YP0301-390□ | 39.0 | 100 | 3.100 | 0.23 |
| YP0301-470□ | 47.0 | 100 | 3.513 | 0.21 |
| YP0301-560□ | 56.0 | 100 | 3.950 | 0.20 |
| YP0301-680□ | 68.0 | 100 | 5.688 | 0.18 |
| YP0301-820□ | 82.0 | 100 | 6.575 | 0.15 |
| YP0301-101□ | 100 | 100 | 7.700 | 0.14 |

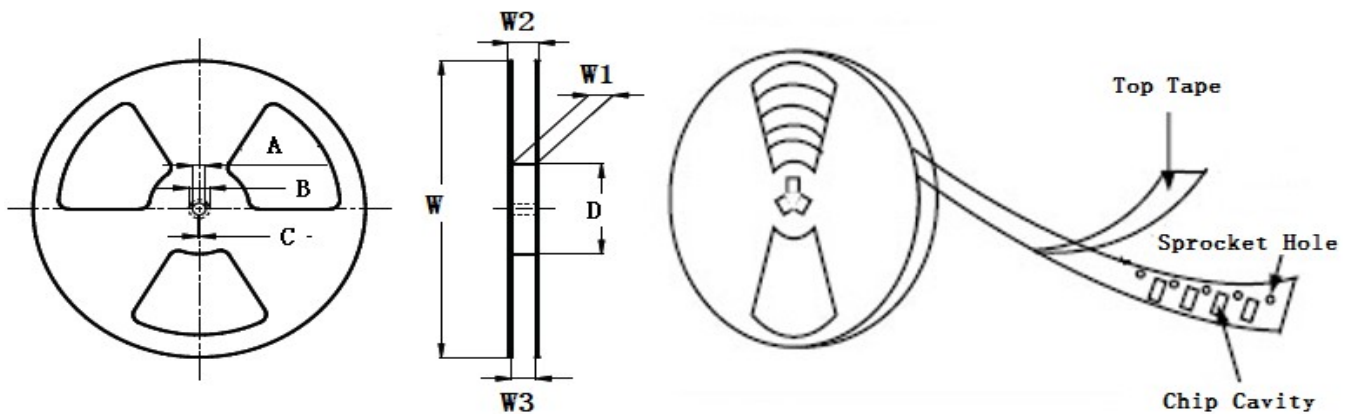
-
- ※ The saturation current value is the DC current value having inductance decrease down to 30%.(at 20°C)
 - ※ The temperature rise current value is the DC current value having temperature increase up to 40°C. (at 20°C)
 - ※ The rated current is the DC current value that satisfies both of current value saturation current value and temperature rise current value.

■ Taping Dimensions(Unit:mm)



| TYPE | W | A | B | C | D | E | P | K Ref | T | MPQ |
|--------|--------------|---------------|----------------|------|---------------|----------------|---------------|-------|-----------------|------|
| YP0301 | 12 ± 0.3 | 3.3 ± 0.1 | 3.60 ± 0.1 | 4.75 | 5.5 ± 0.1 | 1.80 ± 0.1 | 8.0 ± 0.1 | 2.0 | 0.30 ± 0.05 | 3000 |

■ Reel Dimensions(Unit:mm)



| TYPE | W | W1 | W2 | W3 | A | B | C | D |
|--------|---------------|-----------------|---------|----------|-----------------|-----------------|----------------|---------|
| YP0301 | 330 ± 2.0 | 12.8 ± 1.50 | 18.4MAX | 11.9 Min | 13.0 ± 0.50 | 21.0 ± 0.80 | 2.0 ± 0.50 | 100 Min |

Direction of rolling



Cover tape peel off condition



Cover tape peel force shall be 0.1N to 1.3N.

Reference peel speed 300 ± 10 mm/min.