

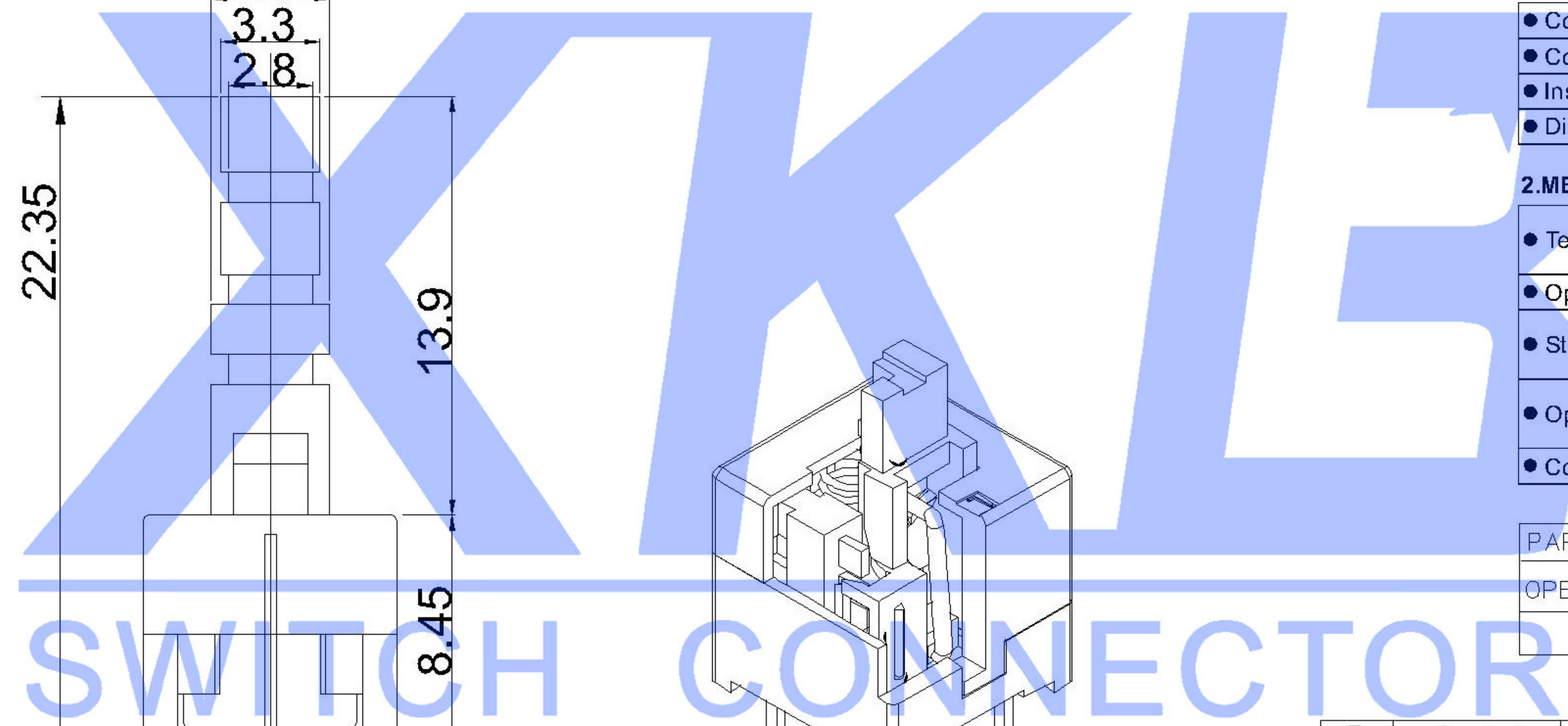
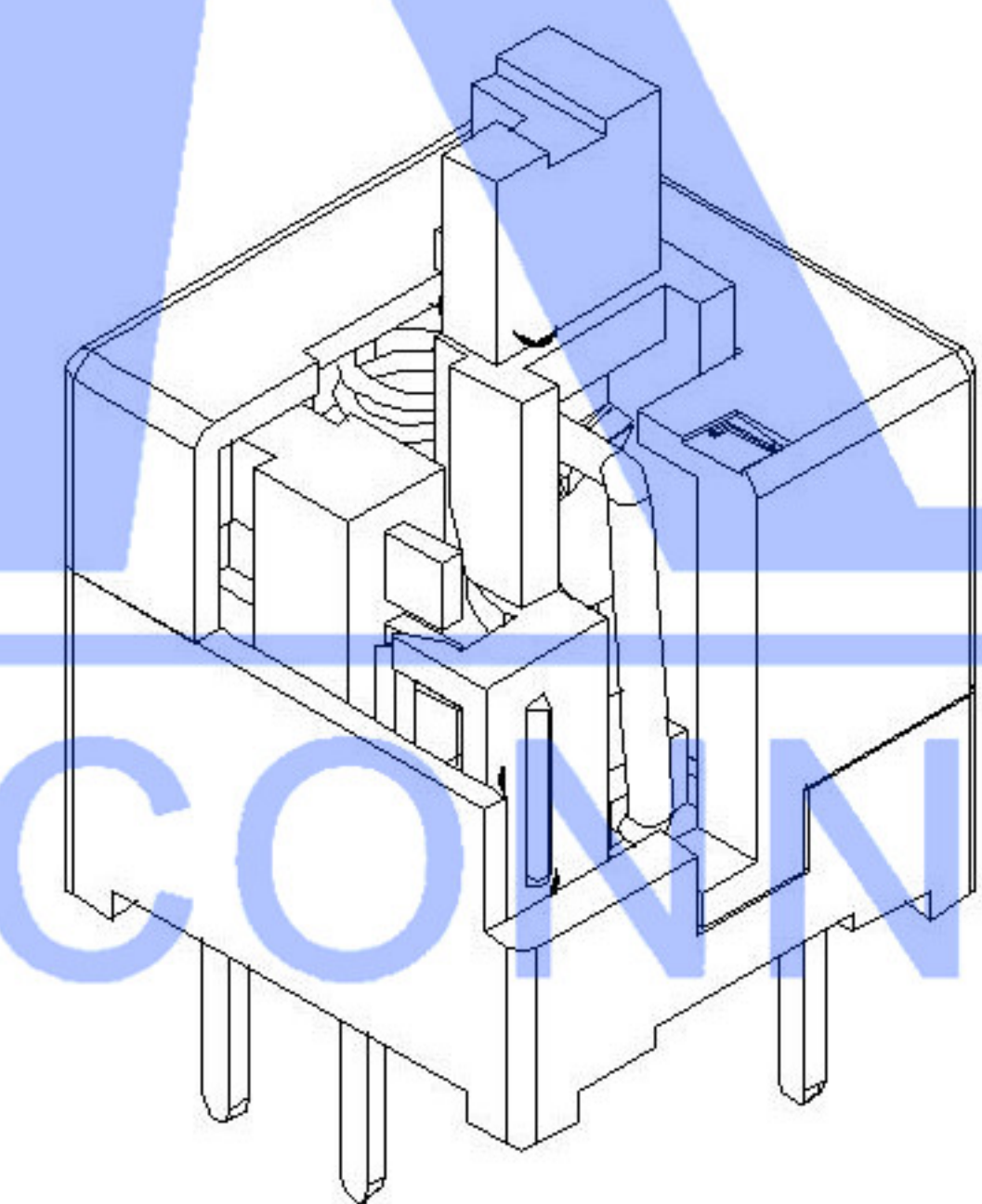
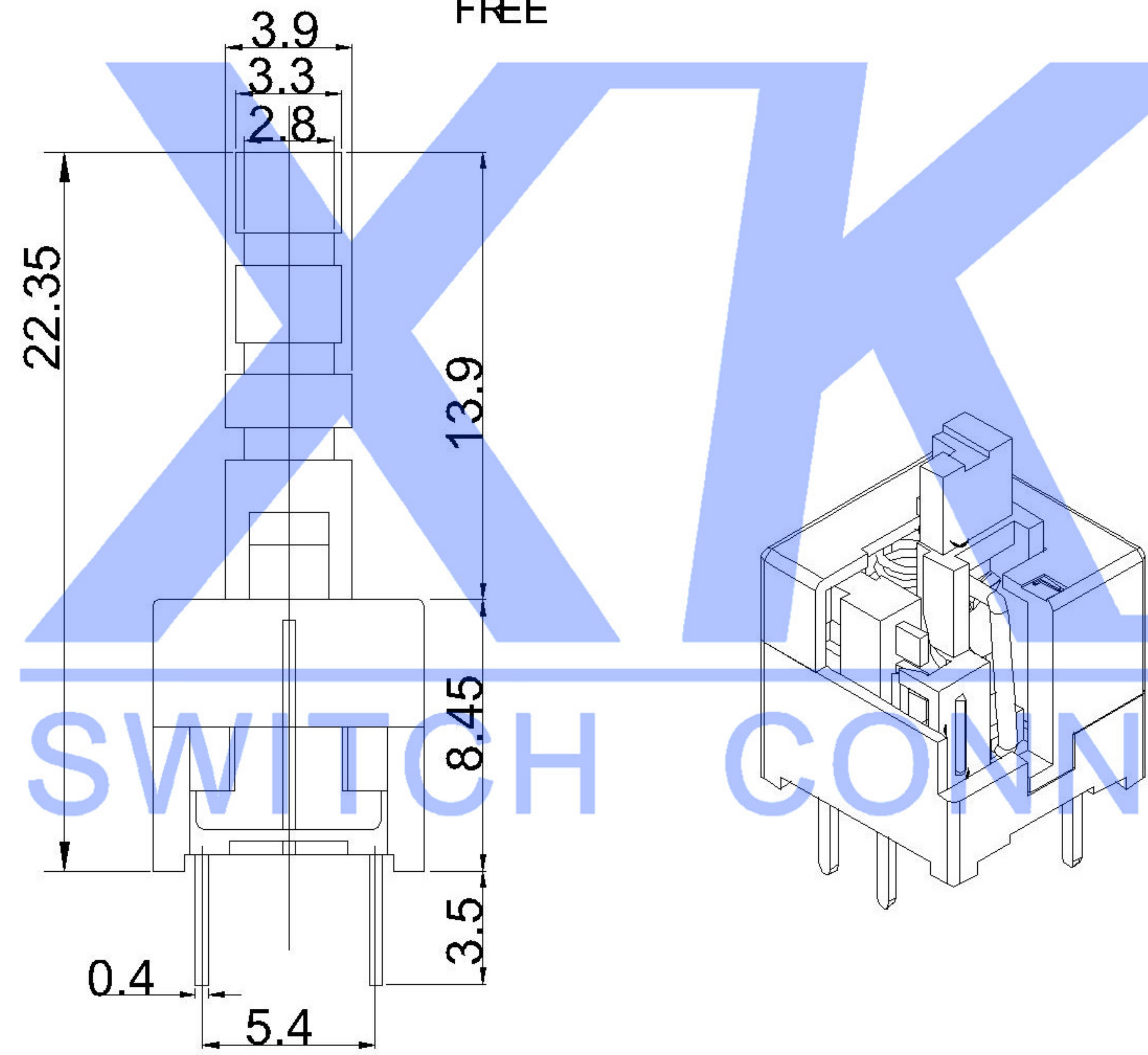
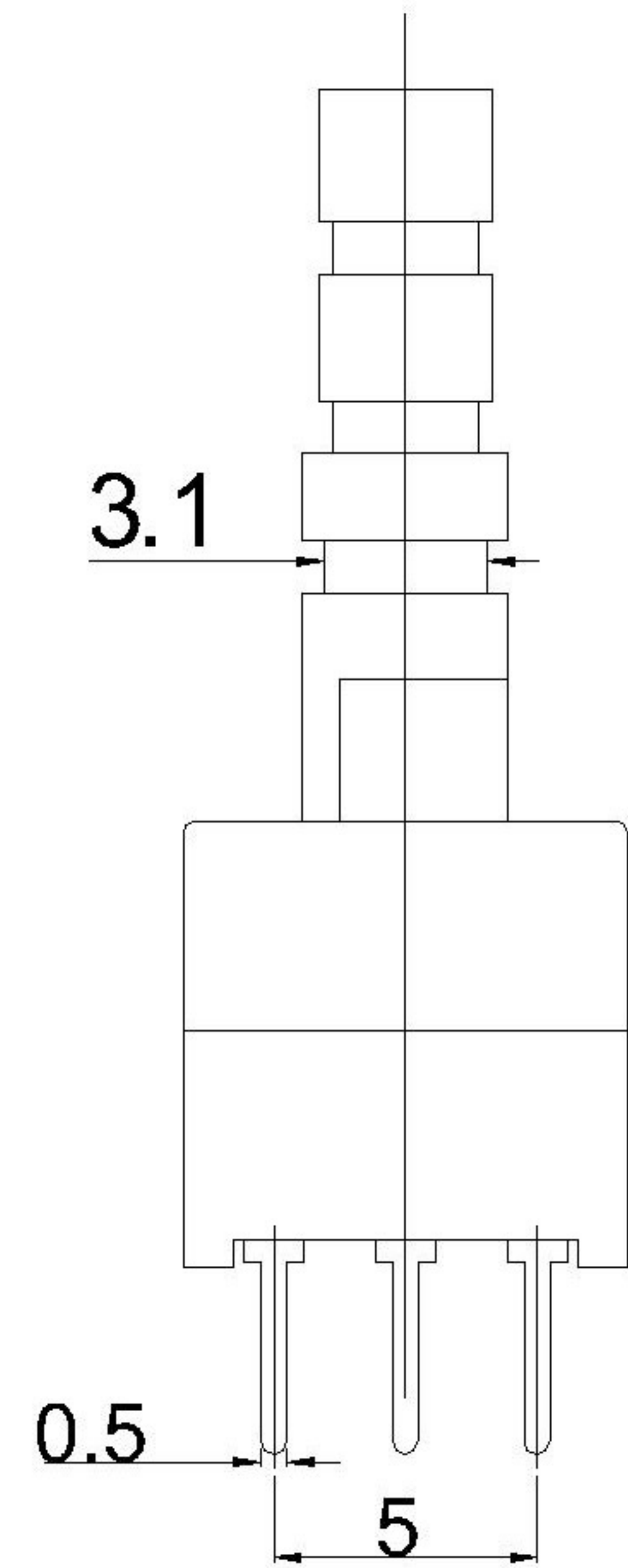
FEATURES

- Light operating force.
- Long term low contact resistance.
- Momentary or latching operation.
- Short stroke 2.0mm to latch.
- Compact spacing on PCB of 8.5mm.

SPECIFICATIONS

1.ELECTRICAL	
● Contact rating	0.1A, 30VDC
● Contact resistance	50mWMax.
● Insulation resistance	100MWM Min. at 250VDC
● Dielectric strength	250VAC Min. for 60 sec.
2.MECHANICAL AND ENVIRONMENTAL	
● Temperature rating	Operating: -15℃ to +55℃ Storage: -25℃ to +65℃
● Operation force	160±80gf
● Stroke	Lock Stroke: 2.0±0.2mm Full Stroke: 2.5±0.2mm
● Operating life	full load: 1x10 ⁴ cycles no load: 1x10 ⁵ cycles
● Contact form	DPDT

PAPT NO	XKB8585-X-220
OPERATION	W:NO LOCK Z:LOCK



ITEM	PAPT NAMF	TER,NO	QTY	MATERIAL	FINISHING	REMARK
⑦	Contact	—	2	Phosphor bronze	Plating silvering	—
⑥	Terminal	—	6	Brass	Plating silvering	—
⑤	Spring	—	1	Sus	Natural	—
④	Base	—	1	Pbt		—
③	Crochet Needle	—	1	Sus	Natural	—
②	Cover	—	1	Pom		—
①	Keystake	—	1	Pom		—

MARK	DESCRIPTION	DATE	REVISED	APPROVED	UNSPECIFIED TOLERANCES	DSND	DATE	SCALE: N/A	MODEL TYPE: KEY SWITCH
△X					ANGLAR ±5°	DWN	DATE	VIEW:	PART NO.:
△X					X.X ±0.2mm	CHKD	DATE	UNIT: mm	DWG NO.:
△X					X.XX ±0.1mm	APPD	DATE	SIZE: A4	XKB8585-X-220
					X.XXX ±0.05mm	XKB INDUSTRIAL PRECISION CO.,LIMITED			WEIGHT 1.0g
									SHEET 1/1
									REVISION A0