

### FEATURES

- Light operating force.
- Long term low contact resistance.
- Momentary or latching operation.
- Short stroke 1.5mm to latch.
- Compact spacing on PCB of 5.8mm.

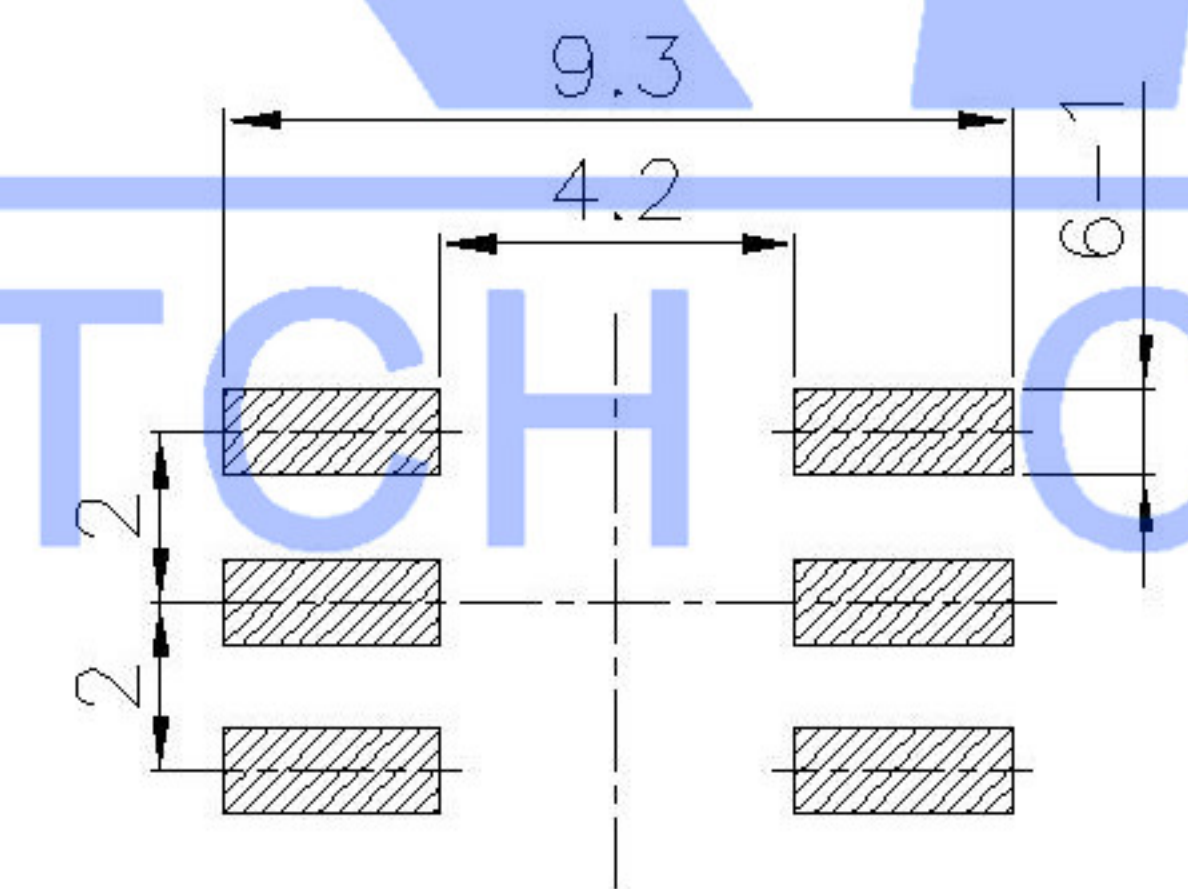
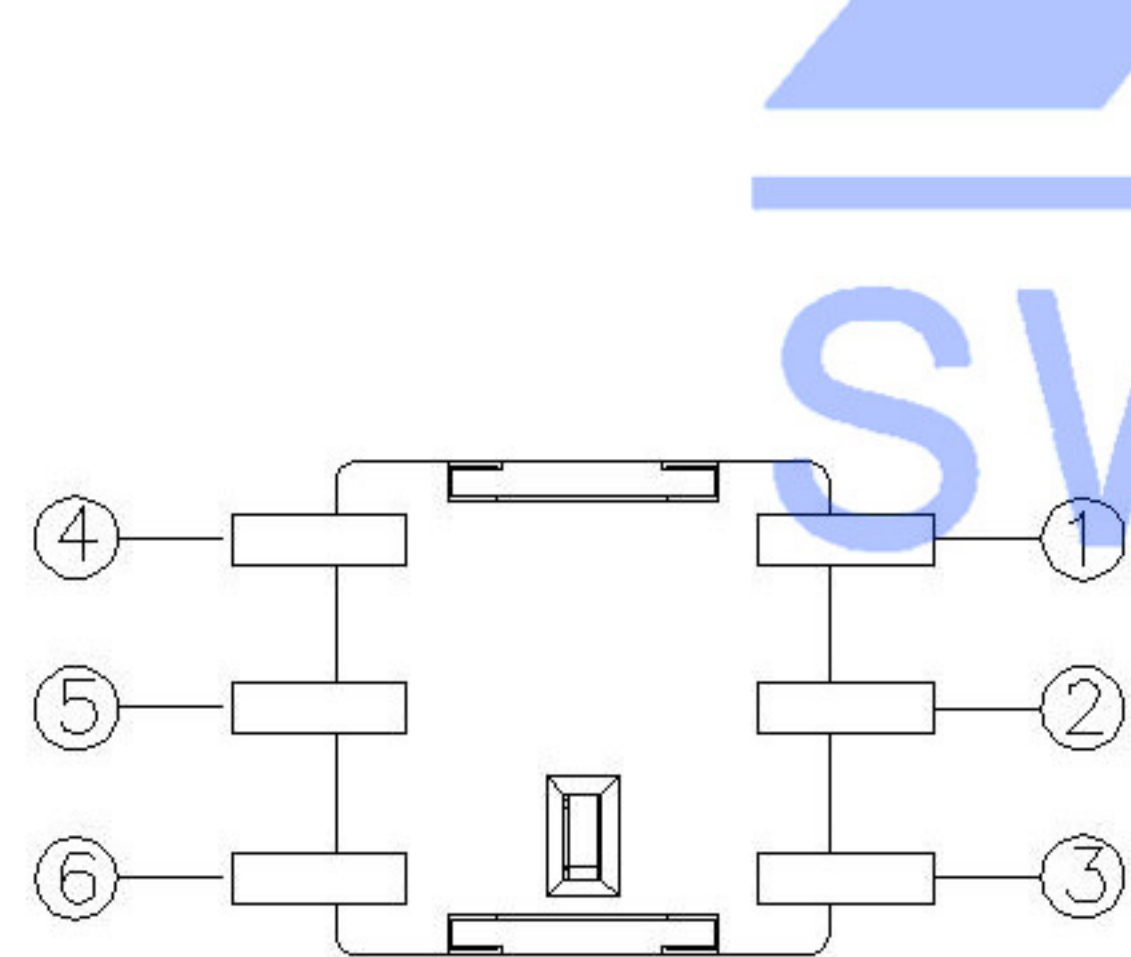
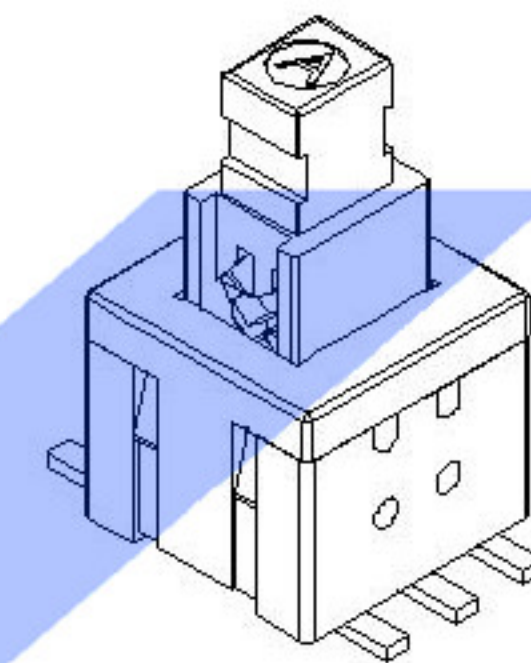
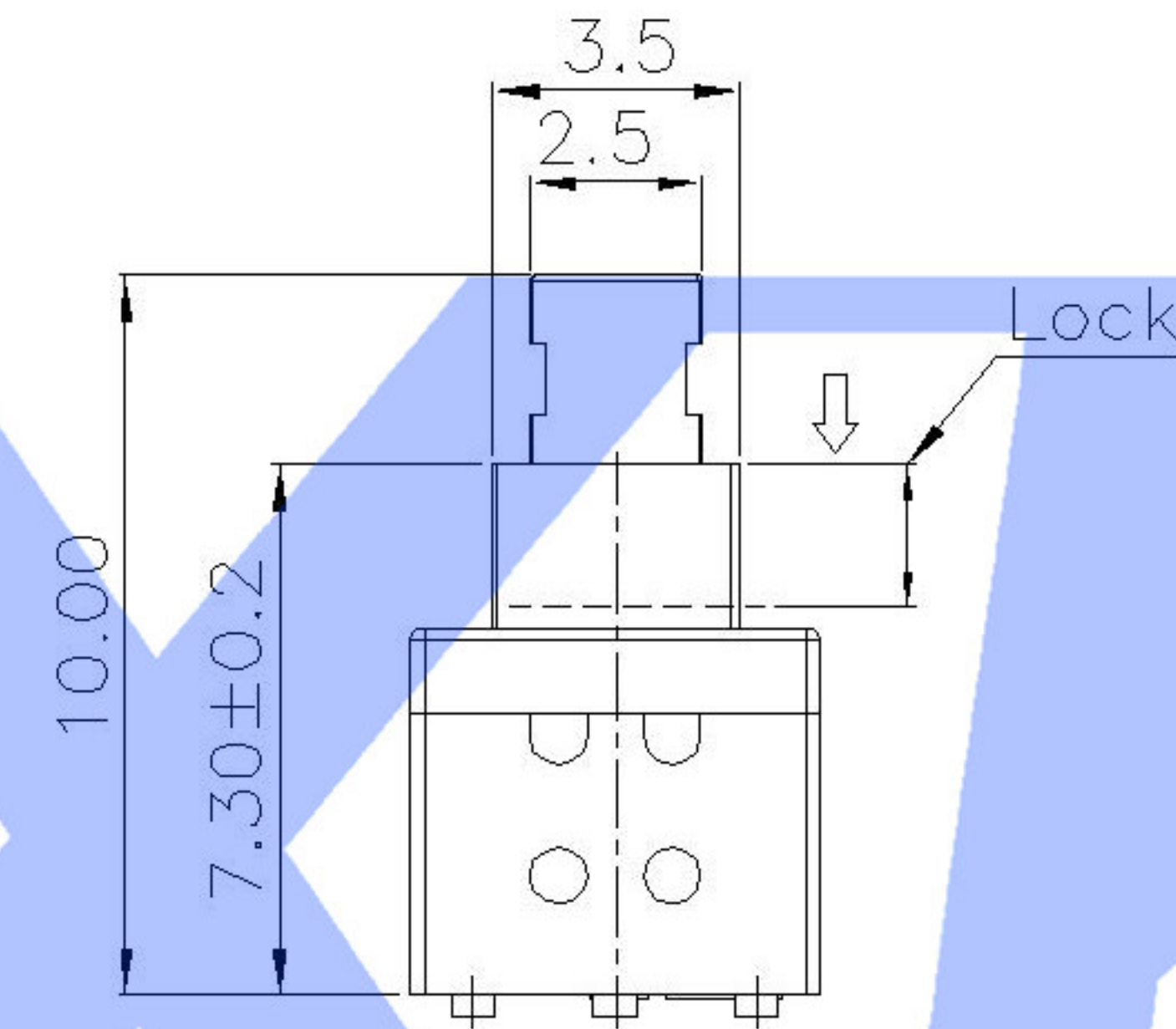
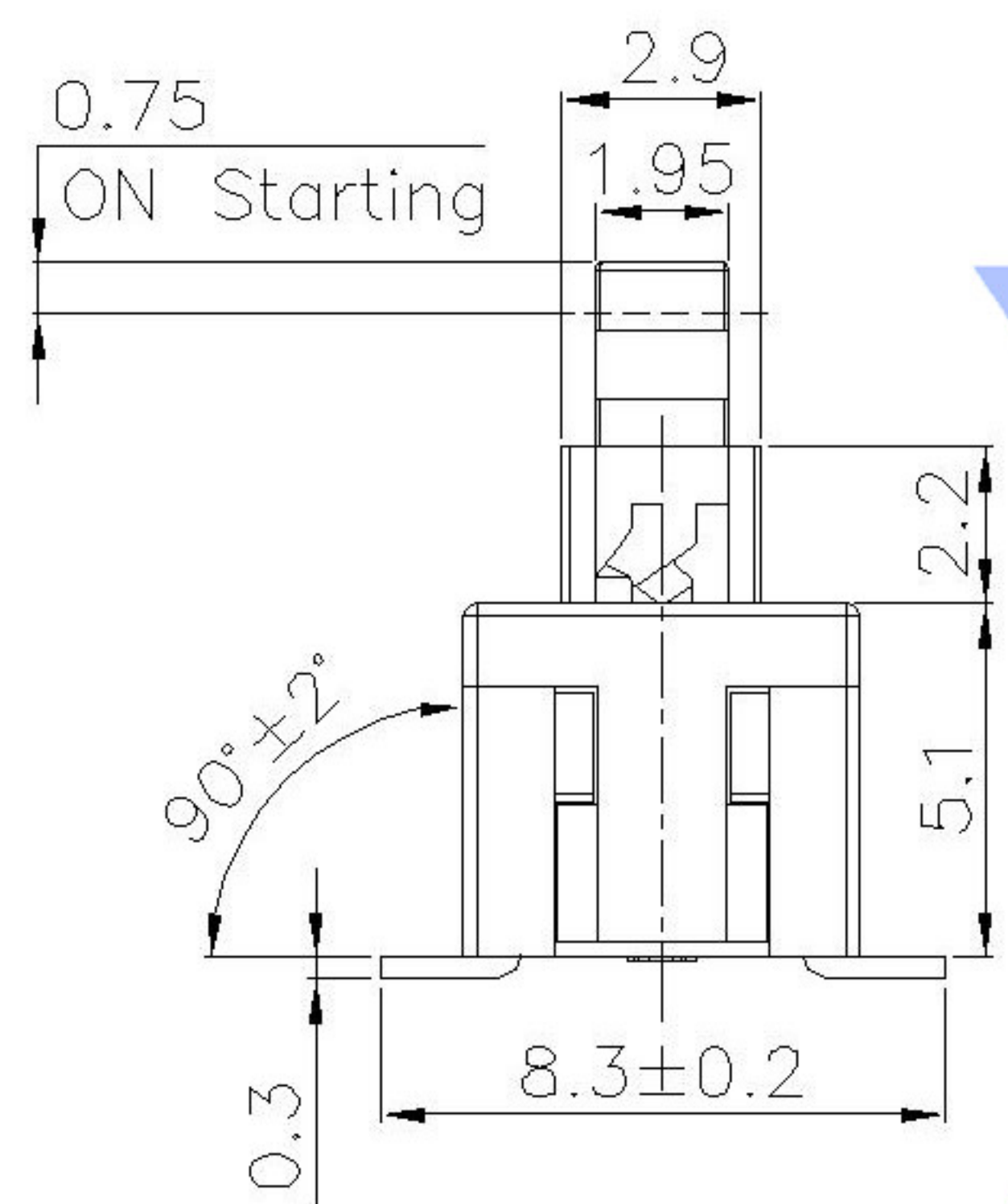
### SPECIFICATIONS

#### 1.ELECTRICAL

● Contact rating	0.1A, 30VDC
● Contact resistance	50mWMax.
● Insulation resistance	100MΩMin. at 250VDC
● Dielectric strength	250VAC Min. for 60 sec.

#### 2.MECHANICAL AND ENVIRONMENTAL

● Temperature rating	Operating: -15°C to +55°C Storage: -25°C to +65°C
● Operation force	160±80gf
● Stroke	Lock Stroke: 1.5±0.2mm Full Stroke: 2.0±0.2mm
● Operating life	full load: 1x10 <sup>4</sup> cycles no load: 1x10 <sup>5</sup> cycles
● Contact form	DPDT



PCB Layout(Pattern Side)

PAPT NO	XKB5858-X-TP
OPERATION	W:NO LOCK Z:LOCK

ITEM	PAPT NAMF	TER,NO	QTY	MATERIAL	FINISHING	REMARK
⑦	Contact	2	Phosphor bronze	Plating silvering		
⑥	Terminal	6	Brass	Plating silvering		
⑤	Spring	1	Sus	Natural		
④	Base	1	Ppa			
③	Crochet Needle	1	Sus	Natural		
②	Cover	1	Ppa			
①	Keystake	1	Ppa			

MARK	DESCRIPTION	DATE	REVISED	APPROVED	ANGLAR	±5°	DSND	DATE	SCALE: N/A	MODEL TYPE:
ΔX					X.X	±0.2mm	DWN	DATE	VIEW:	KEY SWITCH
ΔX					X.XX	±0.1mm	CHKD	DATE	UNIT: mm	PART NO.:
ΔX					X.XXX	±0.05mm	APPD	DATE	SIZE: A4	DWG NO.:
										XKB5858-X-TP
										WEIGHT
										1.0g
										SHEET
										1/1
										REVISION
										A0