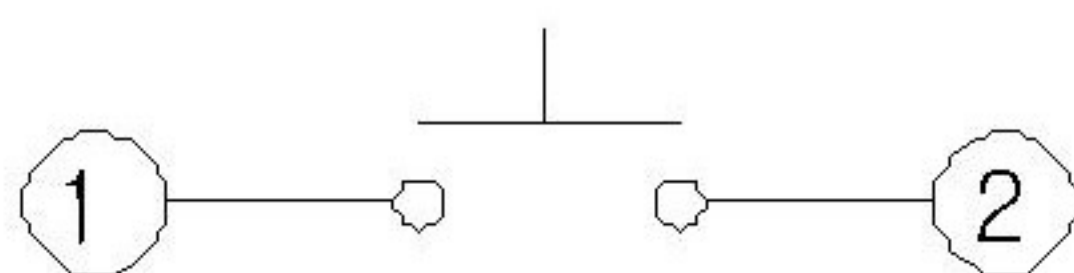
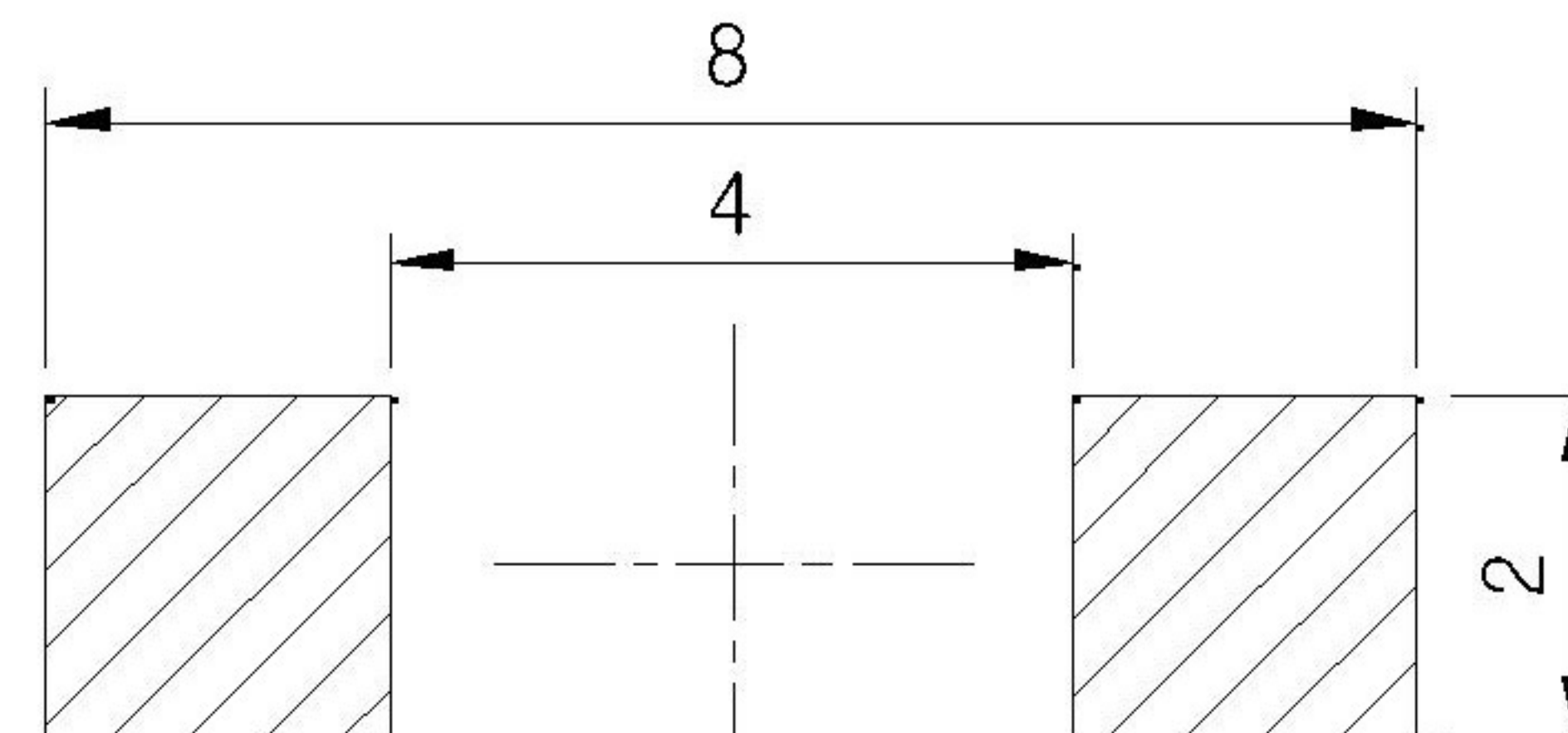


CIRCUIT DIAGRAM

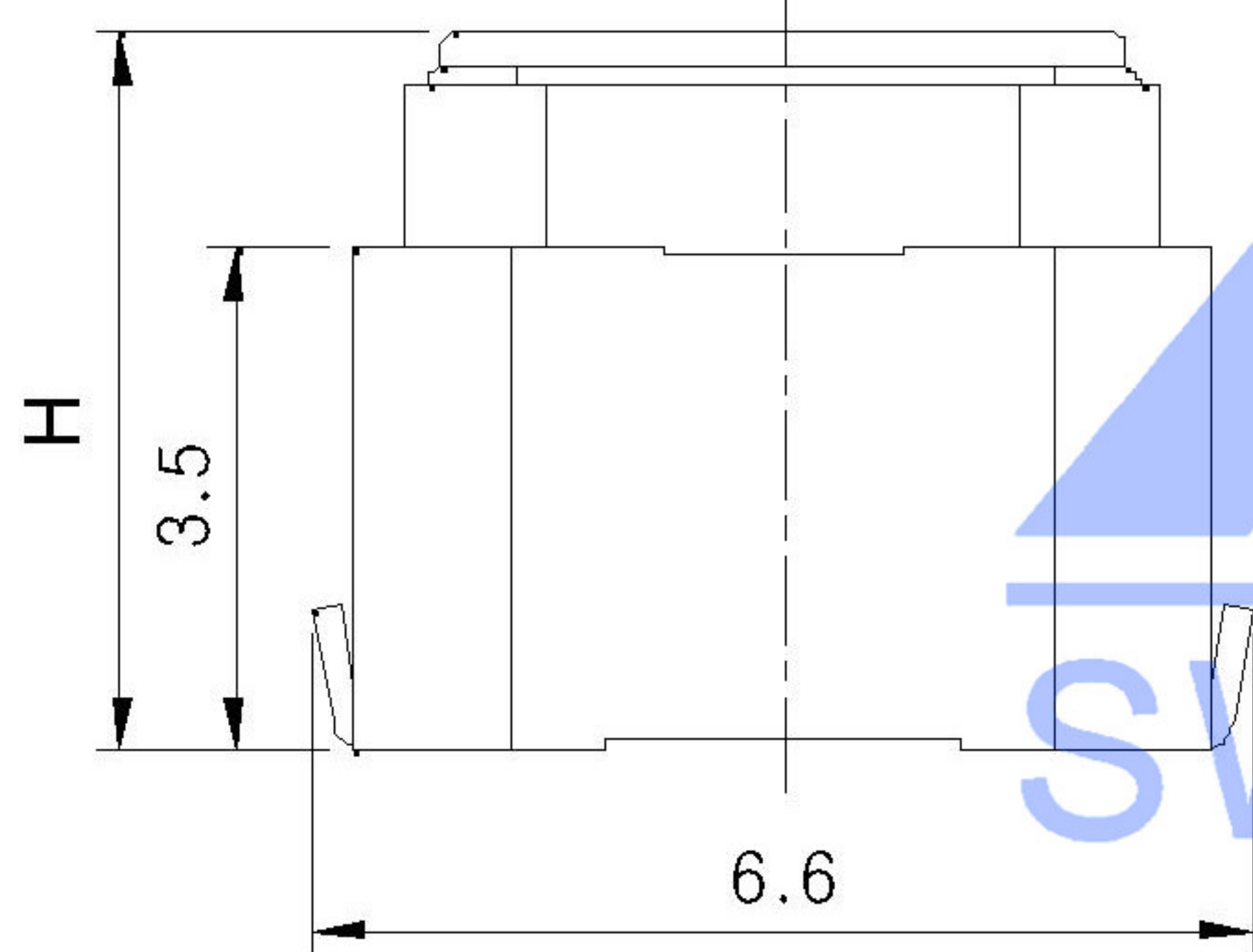


SM D REFLOW PATTERN



SPECIFICATION

Contact Rating: 50mA, 12V DC
 Contact Resistance: 100mΩ max
 Insulation Resistance: 100mΩ min. 500V DC
 Dielectric Strength: 250V AC/1minute
 Travel: 1.3mm
 Operating Temp: -30°C ~ +85°C
 Storage Temp: -30°C ~ +80°C



PAPT NO	TS-1199A-X-X
Operating Force	B: 170gf C: 260gf
Height	II: A: 4.3 B: 5.0

SWITCH CONNECTOR

⑤	Terminal	—	2	Brass (0.30t)	Plating silvering	—
④	Contact	—	1	F.ag/Sus	Natural	—
③	Base	—	1	Lcp		—
②	Cover	—	1	Lcp		—
①	Keystone	—	1	Lcp		—
ITEM	PAPT NAME	TER,NO	QTY	MATERIAL	FINISHING	REMARK

DSND		DATE		SCALE: N/A	MODEL TYPE: TACT SWITCH		
DWN		DATE		VIEW:	PART NO.:		
CHKD		DATE		UNIT: mm	DWG NO.:		
APPD		DATE		SIZE: A4	TS-1199A-X-X		
				KXB INDUSTRIAL PRECISION CO., LIMITED	WEIGHT 1.0g	SHEET 1/1	REVISION A0

units:	mm
tolerance:	X.X ±0.2mm
	X.XX ±0.1mm
	X.XXX ±0.05mm
UNSPECIFIED TOLERANCES	

MARK	DESCRIPTION	DATE	REVISED	APPROVED
ΔX				
ΔX				
ΔX				

REVISIONS

www.xk-dg.cn www.helloxkb.com www.helloxkb.cn