

**DESCRIPTION**

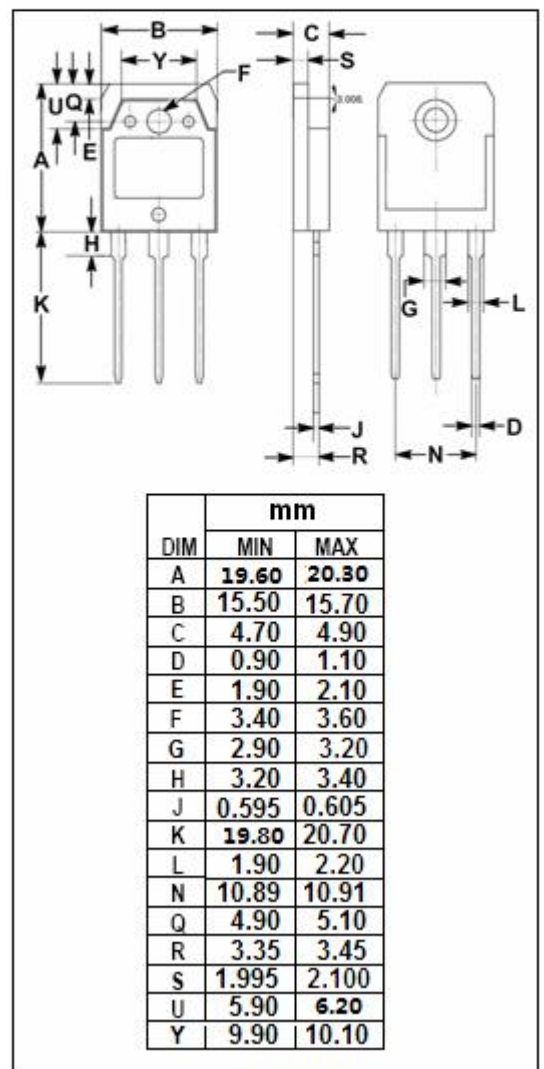
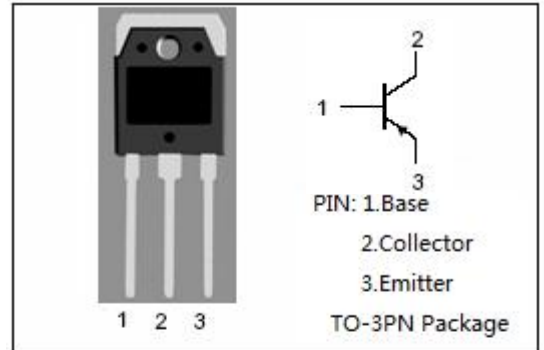
- Collector-Emitter Breakdown Voltage-  
 $V_{(BR)CEO} = -115V(\text{Min})$
- Good Linearity of  $h_{FE}$
- Complement to Type 2SC2681

**APPLICATIONS**

- Audio frequency power amplifier
- High frequency power amplifier

**ABSOLUTE MAXIMUM RATINGS( $T_a=25^\circ\text{C}$ )**

SYMBOL	PARAMETER	VALUE	UNIT
$V_{CBO}$	Collector-Base Voltage	-115	V
$V_{CEO}$	Collector-Emitter Voltage	-115	V
$V_{EBO}$	Emitter-Base Voltage	-5	V
$I_C$	Collector Current-Continuous	-10	A
$I_{CM}$	Collector Current-Peak	-15	A
$P_C$	Collector Power Dissipation @ $T_a=25^\circ\text{C}$	2.0	W
	Collector Power Dissipation @ $T_c=25^\circ\text{C}$	100	
$T_J$	Junction Temperature	150	$^\circ\text{C}$
$T_{stg}$	Storage Temperature Range	-55~150	$^\circ\text{C}$



**ELECTRICAL CHARACTERISTICS**

$T_c=25^{\circ}\text{C}$  unless otherwise specified

SYMBOL	PARAMETER	CONDITIONS	MIN	TYP.	MAX	UNIT
$V_{CE(sat)}$	Collector-Emitter Saturation Voltage	$I_C = -4.5\text{A}; I_B = -0.45\text{A}$			-1.5	V
$V_{BE(on)}$	Base-Emitter On Voltage	$I_C = -4.5\text{A}; V_{CE} = -2\text{V}$			-2.0	V
$I_{CBO}$	Collector Cutoff Current	$V_{CB} = -80\text{V}; I_E = 0$			-50	$\mu\text{A}$
$I_{EBO}$	Emitter Cutoff Current	$V_{EB} = -5\text{V}; I_C = 0$			-50	$\mu\text{A}$
$h_{FE-1}$	DC Current Gain	$I_C = -1\text{A}; V_{CE} = -2\text{V}$	60		200	
$h_{FE-2}$	DC Current Gain	$I_C = -4.5\text{A}; V_{CE} = -2\text{V}$	40			
$C_{OB}$	Output Capacitance	$I_E = 0; V_{CB} = -10\text{V}; f = 1.0\text{MHz}$		390		pF
$f_T$	Current-Gain—Bandwidth Product	$I_C = -1\text{A}; V_{CE} = -2\text{V}$		90		MHz

◆  **$h_{FE-1}$  Classifications**

R	Q
60-120	100-200