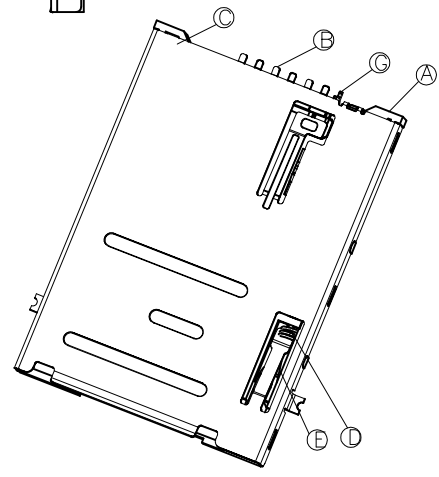
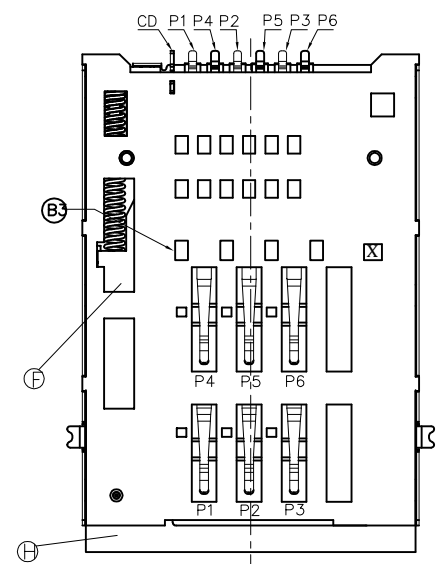
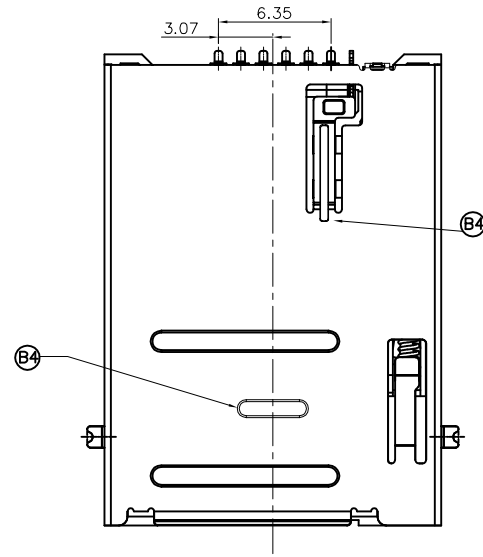
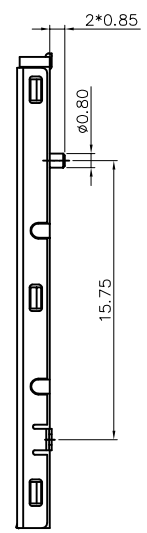
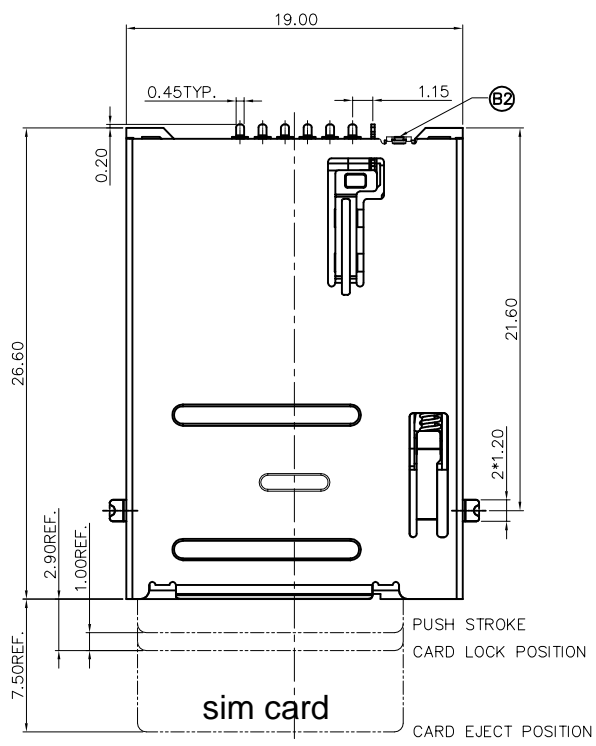
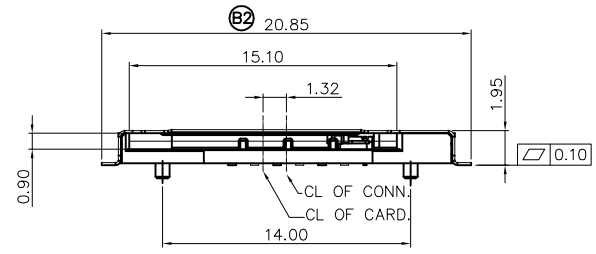


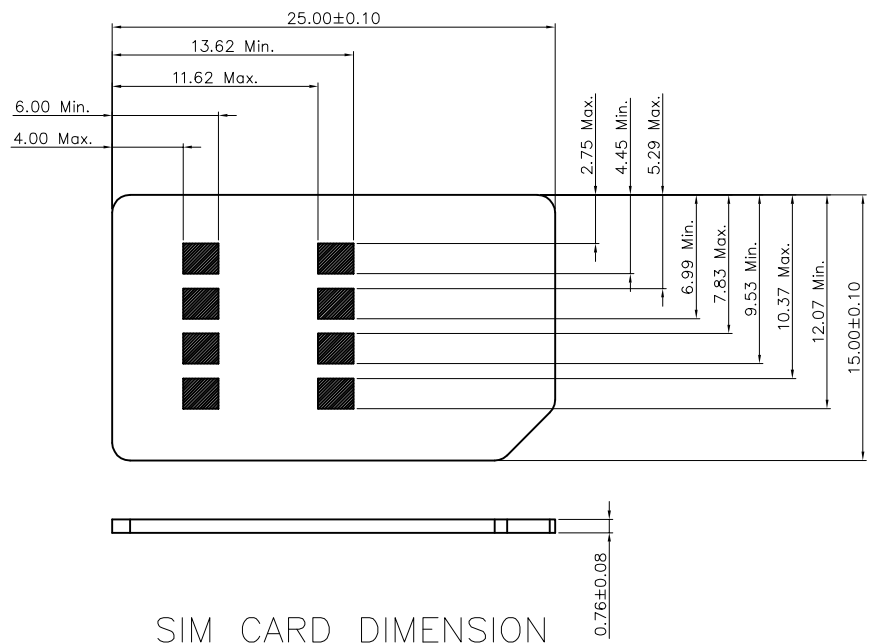
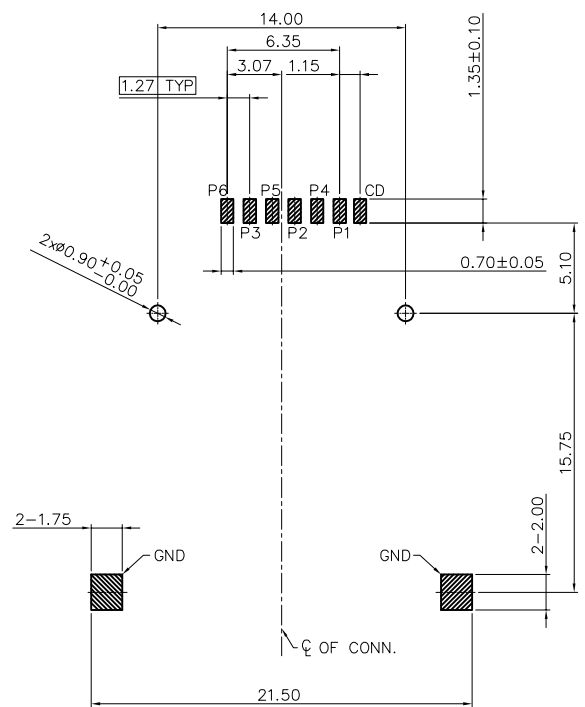
REV	DATE	ECN NO.	MODIFICATION	APPROVER
B1	2017/01/17		增加尺寸管控	JACK
B2	2017/11/13		优化产品结构, 修改焊脚宽度与实物一至	Dan
B3	2017/12/25		优化生产, 增加端子压料	Dan
B4	2019/07/15		增加压NANO CARD 凸包, 弹片凸包加长优化正向力	Abel



- Material:
  - 1.1 Insulator: HIGH TEMP. PLASTIC, rated UL94V-0,color:black.
  - 1.2 Terminal: Copper Alloy,Tin 100u" Min. at Solder Tail,Selected Gold on Contact Area Plating.
  - 1.3 Terminal: Copper Alloy,Tin 100u" Min. at Solder Tail,Selected Gold on Contact Area Plating.
  - 1.4 Shell: Stainless Steel.  
Over Nickel Plated(50~80u"),Gold/Flash at Solder Tail.
- Mechanical and Electrical performance:
  - 2.1 Mating Cycles: 5000 cycles(speed:400~600 cycles/h).
  - 2.2 Rating current:0.5A Max.
  - 2.3 Insulation resistance: 100MΩ Min. at 500 V DC.
  - 2.4 Terminal contact resistance: 100mΩ Max.
  - 2.5 Withstanding voltage:500V AC at 1mA Max. for 1 minute.
- Environment performance.
  - 3.1 Operating temperature: -20℃~ +70℃
  - 3.2 Storage temperature: -40℃~ +85℃



GENERAL TOLERANCE			UNITS mm	NAME: PUSH PUSH TYPE SIM CARD	ATOM® 深圳市爱特姆科技有限公司 SHENZHEN ATOM TECHNOLOGY CO., LTD.
SELECT	✓				
TOL	1	2	3	PART NO: SI27C-01***	TITLE: SIM CARD 6P PUSH PUSH MOLDING TYPE
ON.					
X.XXX	±0.10	±0.05	±0.15	APPD: JASON	DWG NO. ATOM-A02982
X.XX	±0.15	±0.13	±0.25		
X.X	±0.20	±0.25	±0.5	CHKD: JACK	SCALE SHEET REV 1:1 1/2 B4
X.	±0.30	±0.35	±1.00		
ANGLE	±2'			DR: Abel	

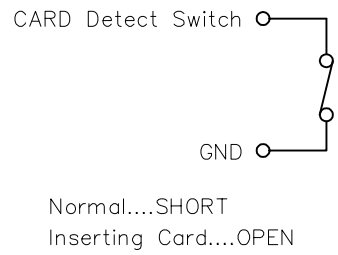


SIM CARD DIMENSION

PIN ASSIGNMENTS

Connector terminal NO.	Pin NO.
Pin 1	VCC: PWR signal and GND
Pin 2	RST: Reset signal
Pin 3	CLK: Clocking signal
Pin 4	GND: PWR signal and GND
Pin 5	VPP: programming Voltage
Pin 6	I/O : serial date input/output

SIM CARD 6P



ITEM	PART NAME	MATERIAL	Q'TY	REMARK
⊕	DUMMY CARD	HIGH TEMP. PLASTIC	1 PCS	With or without
⊙	CD TERMINAL	COPPER ALLOY	1 PCS	
⊖	SLIDER	HIGH TEMP. PLASTIC	1 PCS	
⊕	HOOK	STAINLESS STEEL	1 PCS	
⊖	SPRING	SWP	1 PCS	
⊙	SHELL	STAINLESS STEEL	1 PCS	
⊖	TREMINAL	COPPER ALLOY	6 PIN	
⊕	HOUSING	HIGH TEMP. PLASTIC	1 PCS	

GENERAL TOLERANCE		UNITS	NAME:	ATOM® 深圳市爱特姆科技有限公司 SHENZHEN ATOM TECHNOLOGY CO., LTD.		
SELECT	✓	mm	PUSH PUSH TYPE SIM CARD	TITLE: SIM CARD 6P PUSH PUSH MOLDING TYPE		
TOL	1 2 3	MAT'L	PART NO: SI27C-01***	DWG NO. ATOM-A02982		
ON.		FINISH	APPD: JASON	SCALE SHEET REV		
X.XXX	±0.10±0.05±0.15	Q'TY	CHKD: JACK	1:1	2/2	B4
X.XX	±0.15±0.13±0.25		DR: Abel			
X.X	±0.20±0.25±0.5					
X.	±0.30±0.35±1.00					
ANGLE	±2'					