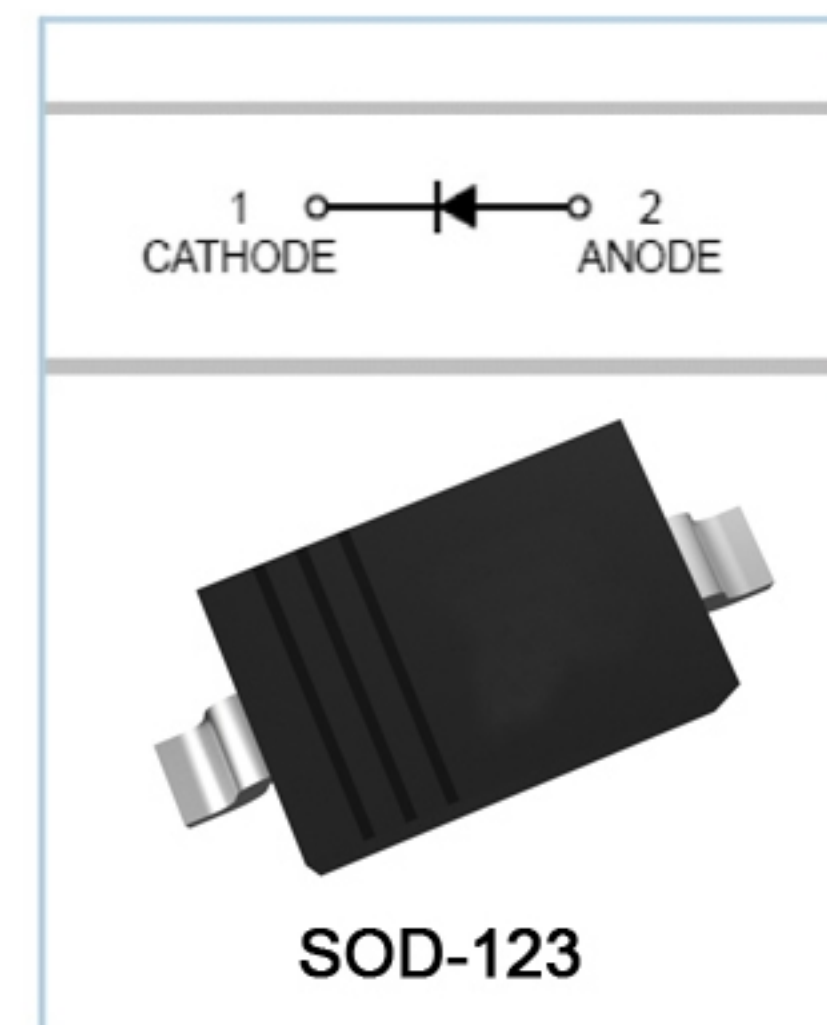


Fast switching Diode

FEATURES

- Fast Switching Speed.
- Surface Mount Package Ideally Suited For Automatic Insertion.
- For General Purpose Switching Applications
- High Conductance



APPLICATIONS

- Surface mount fast switching diode

ORDERING INFORMATION

Type No.	Marking	Package Code
1N4448W	T5	SOD-123

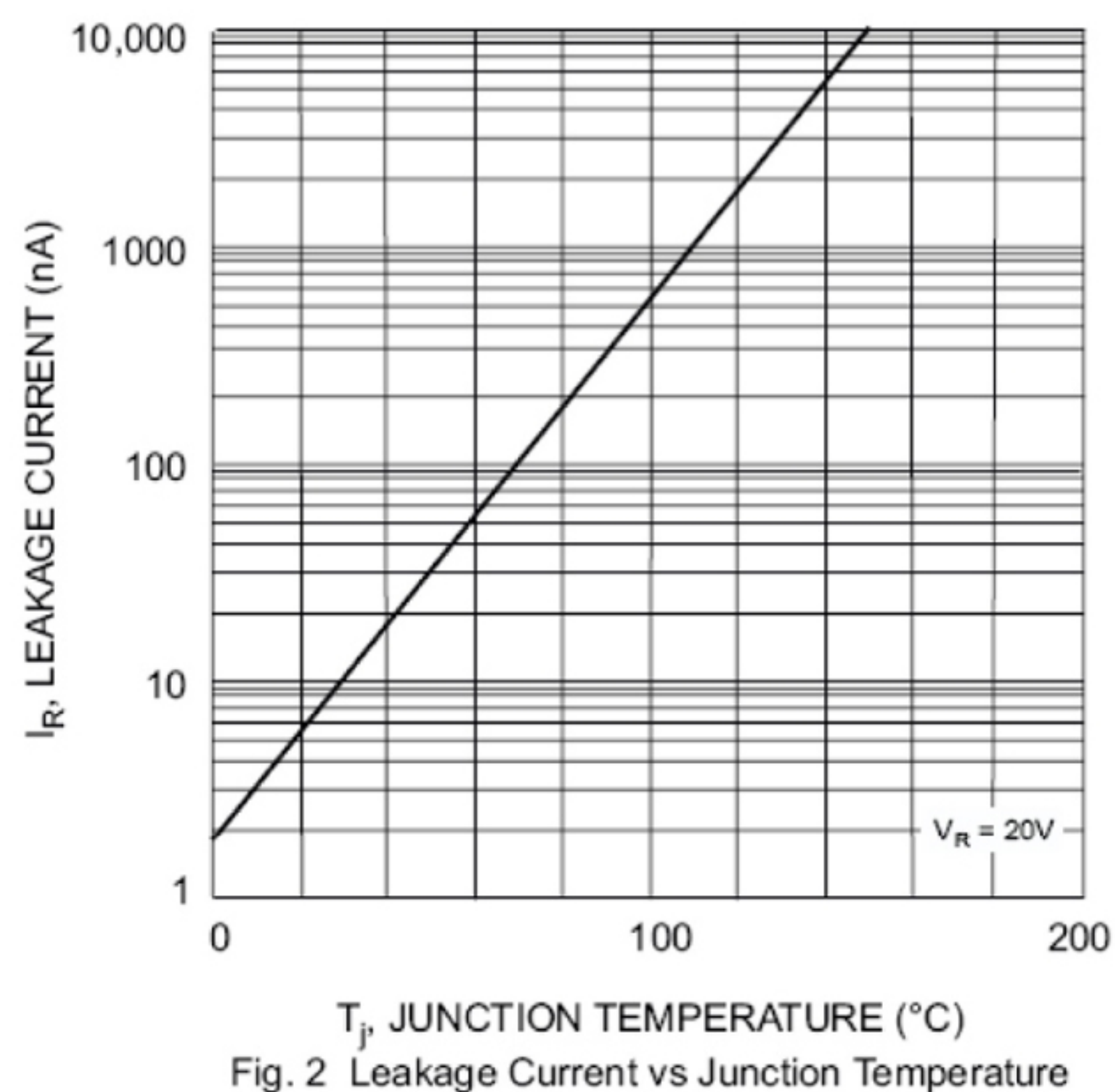
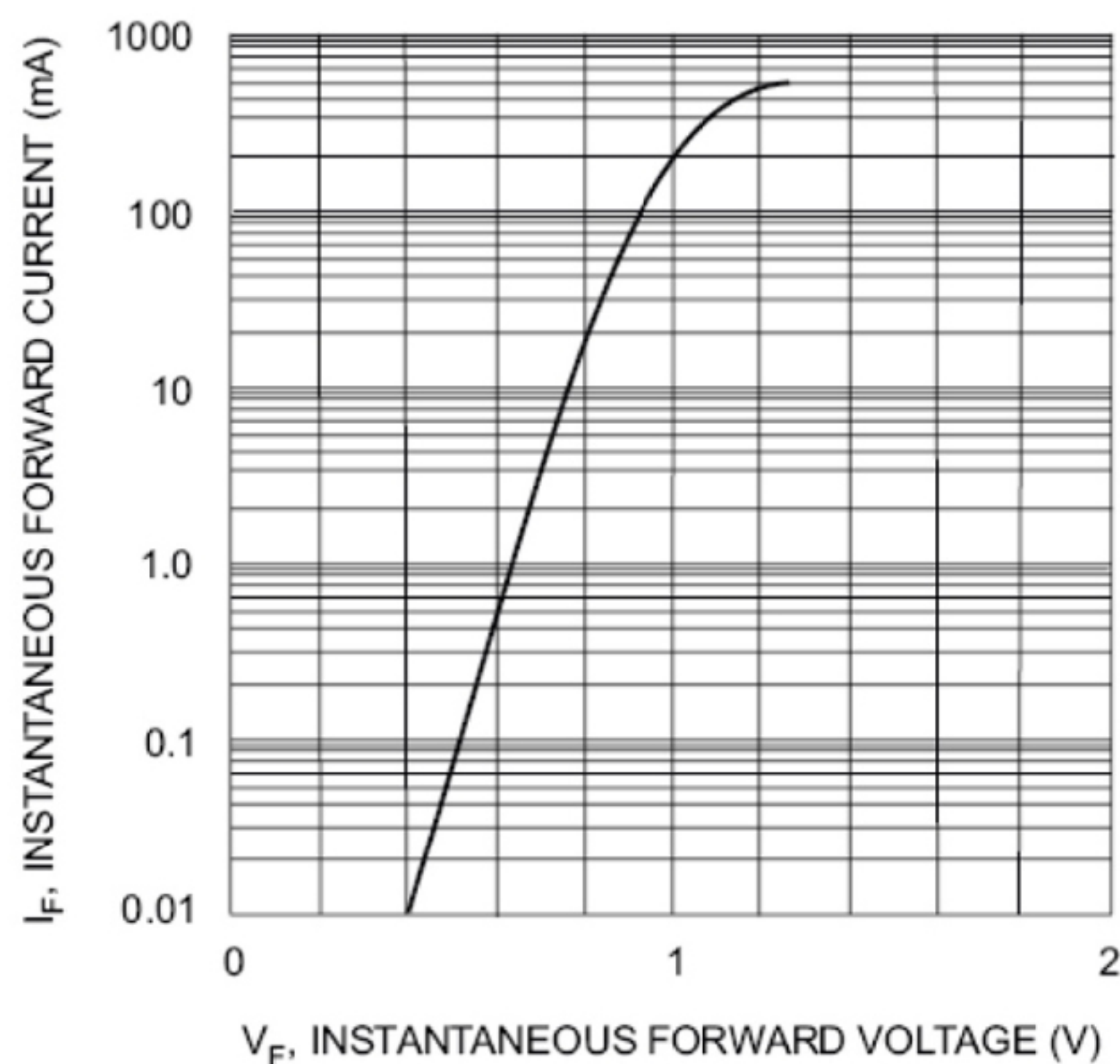
MAXIMUM RATING @ Ta=25°C unless otherwise specified

Characteristic	Symbol	Value	Unit
Non-Repetitive Peak Reverse Voltage	V_{RM}	100	V
Peak Repetitive Reverse Voltage	V_{RRM}	75	V
Working Peak Reverse Voltage	V_{RWM}		
DC Reverse Voltage	V_R		
RMS Reverse Voltage	$V_{R(RMS)}$	53	V
Forward Continuous Current	I_{FM}	500	mA
Average Rectified Output Current	I_o	250	mA
Non-Repetitive Peak Forward Surge Current @t=1.0 μs	I_{FSM}	4.0	A
@t=1.0 s		2.0	
Power Dissipation	P_d	350	mW
Thermal Resistance Junction to Ambient Air	$R_{\theta JA}$	357	°C/W
Operating and Storage Temperature Range	T_j, T_{STG}	-65 to+150	°C

ELECTRICAL CHARACTERISTICS @ Ta=25°C unless otherwise specified

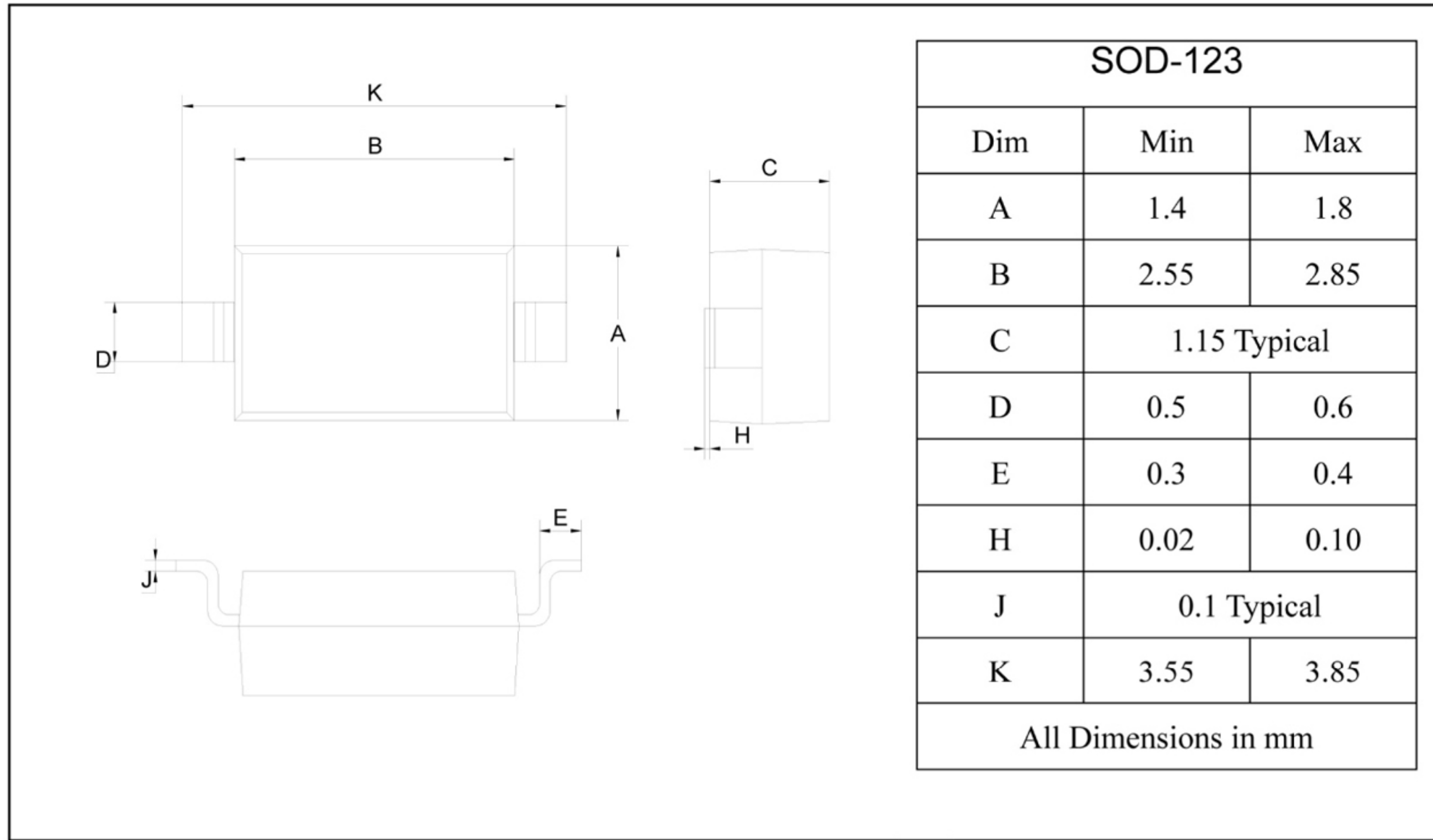
Characteristic	Symbol	Min	Max	Unit	Test Condition
Reverse Breakdown Voltage	$V_{(BR)R}$	75	-	V	$I_R=1.0\mu A$
Forward Voltage	V_{F1} V_{F2} V_{F3} V_{F4}	0.62	0.72 0.855 1.0 1.25	V	$I_F=5mA$ $I_F=10mA$ $I_F=100mA$ $I_F=150mA$
Reverse Current	I_{R1} I_{R2}	-	2.5 25	μA nA	$V_R=75V$ $V_R=20V$
Capacitance between terminals	C_T	-	4.0	pF	$V_R=0, f=1.0MHz$
Reverse Recovery Time	t_{rr}	-	4.0	ns	$I_F=I_R=10mA$, $I_{rr}=0.1 \times I_R, R_L=100\Omega$

TYPICAL CHARACTERISTICS @ Ta=25°C unless otherwise specified

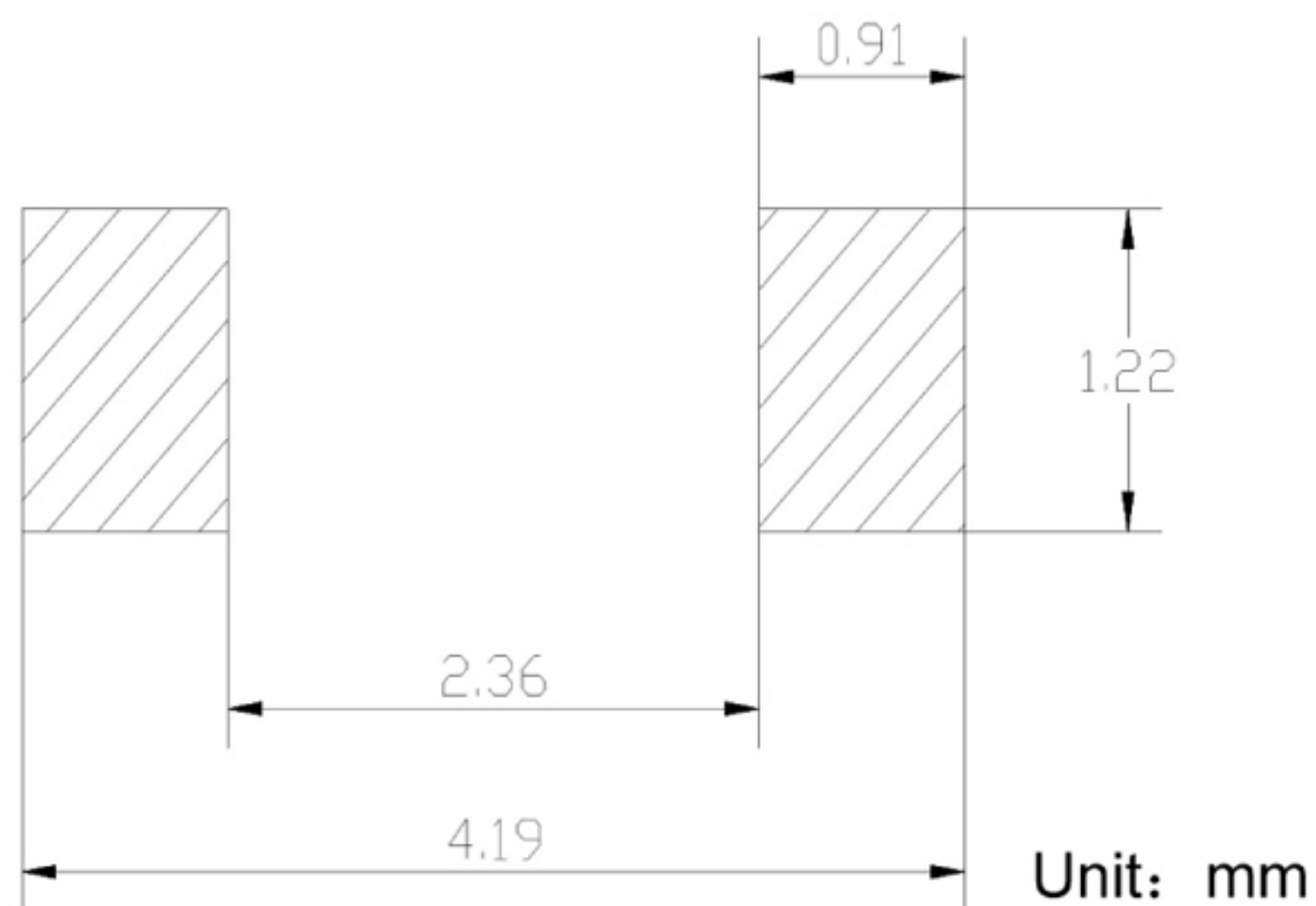


PACKAGE OUTLINE

Plastic surface mounted package



SOLDERING FOOTPRINT



PACKAGE INFORMATION

Device	Package	Shipping
1N4448W	SOD-123	3000/Tape&Reel