



# QPF4206B

## Wi-Fi Front End Module

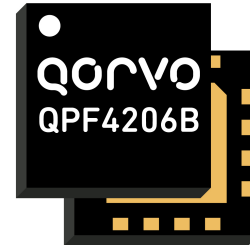
### Product Overview

The Qorvo® QPF4206B is an integrated front end module (FEM) designed for Wi-Fi 6 (802.11ax) systems. The compact form factor and integrated matching minimizes layout area in the application.

Performance is focused on optimizing the PA for a 5V supply voltage that conserves power consumption while maintaining the highest linear output power and leading edge throughput. Receive path matches the optimal technologies to maximize Rx sensitivity through noise figure performance that is consistent over a wider variety of conditions. .

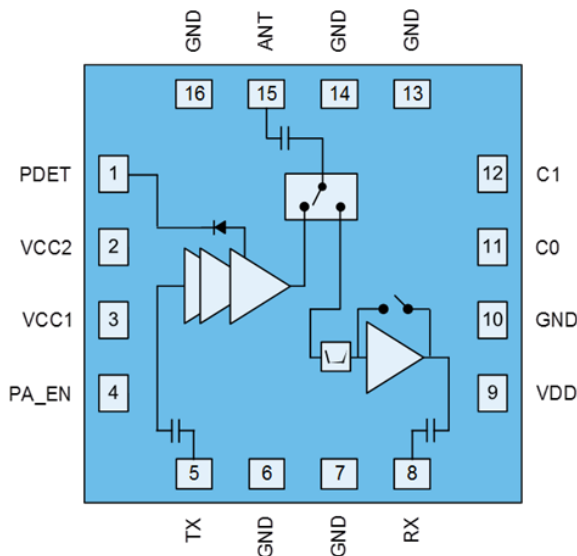
Another key feature is the integration of a logarithmic power detector which enables power accuracy at lower powers.

The QPF4206B integrates a 2GHz power amplifier (PA), regulator, single pole two throw switch (SP2T), and a bypassable low noise amplifier (LNA).



16 Pin 3x3 mm Laminate Package

### Functional Block Diagram



### Key Features

- 2412 – 2484 MHz
- $P_{OUT} = +19\text{dBm}$  MCS11 HE40 -43dB Dynamic EVM
- $P_{OUT} = +21\text{dBm}$  MCS9 VHT40 -35dB Dynamic EVM
- $P_{OUT} = +22.5\text{dBm}$  MCS7 HT20 -30dB Dynamic EVM
- $P_{OUT} = +25\text{dBm}$  MCS0 HT20 Spectral Mask Compliance
- Optimized for +5 V Operation
- 33 dB Tx Gain
- 2.1 dB Noise Figure
- 15 dB Rx Gain & 6 dB Bypass Loss
- 25 dB 5 GHz Rejection on Rx Path
- Broad Range Integrated DC Power Detector

### Applications

- Access Points
- Wireless Routers
- Residential Gateways
- Customer Premise Equipment
- Internet of Things

### Ordering Information

Part Number	Description
QPF4206BSB	Sample bag with 5 pieces
QPF4206BSQ	Sample bag with 25 pieces
QPF4206BSR	7" reel with 100 pieces
QPF4206BTR13-5K	13" reel with 5000 pieces
QPF4206BEVB01	Assembled Evaluation Board

## Handling Precautions

Parameter	Rating	Standard
ESD – Human Body Model (HBM)	Class 1C(1kV)	ANSI/ESD/JEDEC JS-001
ESD – Charged Device Model (CDM)	Class C3(1kV)	ANSI/ESD/JEDEC JS-002
MSL – Moisture Sensitivity Level	Level 3	IPC/JEDEC J-STD-020



Caution!

ESD sensitive device

## Solderability

Compatible with both lead-free (260 °C max. reflow temperature) and tin/lead (245 °C max. reflow temperature) soldering processes.

Package lead plating: Electrolytic plated Au over Ni

## RoHS Compliance

This part is compliant with the 2011/65/EU RoHS directive (Restrictions on the Use of Certain Hazardous Substances in Electrical and Electronic Equipment), as amended by Directive 2015/863/EU.

This product also has the following attributes:

- Product uses RoHS Exemption 7c-I to meet RoHS Compliance requirements.
- Halogen Free (Chlorine, Bromine)
- Antimony Free
- TBBP-A (C<sub>15</sub>H<sub>12</sub>Br<sub>4</sub>O<sub>2</sub>) Free
- SVHC Free

## Contact Information

For the latest specifications, additional product information, worldwide sales and distribution locations:

**Web:** [www.qorvo.com](http://www.qorvo.com)

**Tel:** 1-844-890-8163

**Email:** [customer.support@qorvo.com](mailto:customer.support@qorvo.com)

## Important Notice

The information contained herein is believed to be reliable; however, Qorvo makes no warranties regarding the information contained herein and assumes no responsibility or liability whatsoever for the use of the information contained herein. All information contained herein is subject to change without notice. Customers should obtain and verify the latest relevant information before placing orders for Qorvo products. The information contained herein or any use of such information does not grant, explicitly or implicitly, to any party any patent rights, licenses, or any other intellectual property rights, whether with regard to such information itself or anything described by such information. **THIS INFORMATION DOES NOT CONSTITUTE A WARRANTY WITH RESPECT TO THE PRODUCTS DESCRIBED HEREIN, AND QORVO HEREBY DISCLAIMS ANY AND ALL WARRANTIES WITH RESPECT TO SUCH PRODUCTS WHETHER EXPRESS OR IMPLIED BY LAW, COURSE OF DEALING, COURSE OF PERFORMANCE, USAGE OF TRADE OR OTHERWISE, INCLUDING THE IMPLIED WARRANTIES OF MERCHANTABILITY AND FITNESS FOR A PARTICULAR PURPOSE.**

Without limiting the generality of the foregoing, Qorvo products are not warranted or authorized for use as critical components in medical, life-saving, or life-sustaining applications, or other applications where a failure would reasonably be expected to cause severe personal injury or death.

Copyright 2018 © Qorvo, Inc. | Qorvo is a registered trademark of Qorvo, Inc.