

DIO2774

4-Channel Video Amplifier with One SD and Three HD 8th Order Filters with 6dB Gain

Features

- One SD Video Amplifier for CVBS Video
- Three HD Video Amplifiers
- Transparent Input Clamping
- Fixed 6dB Gain
- AC or DC Coupled Inputs
- AC or DC Coupled Outputs
- Operates from 3.135V to 5.25V
- Single Power Supply
- RoHS or Green TSSOP-14 Package
- 8kV ESD protection

Applications

- DVD Players
- Video Amplifiers
- Cable set-top boxes
- Personal Video Recorders
- Communications Devices
- Video on Demand

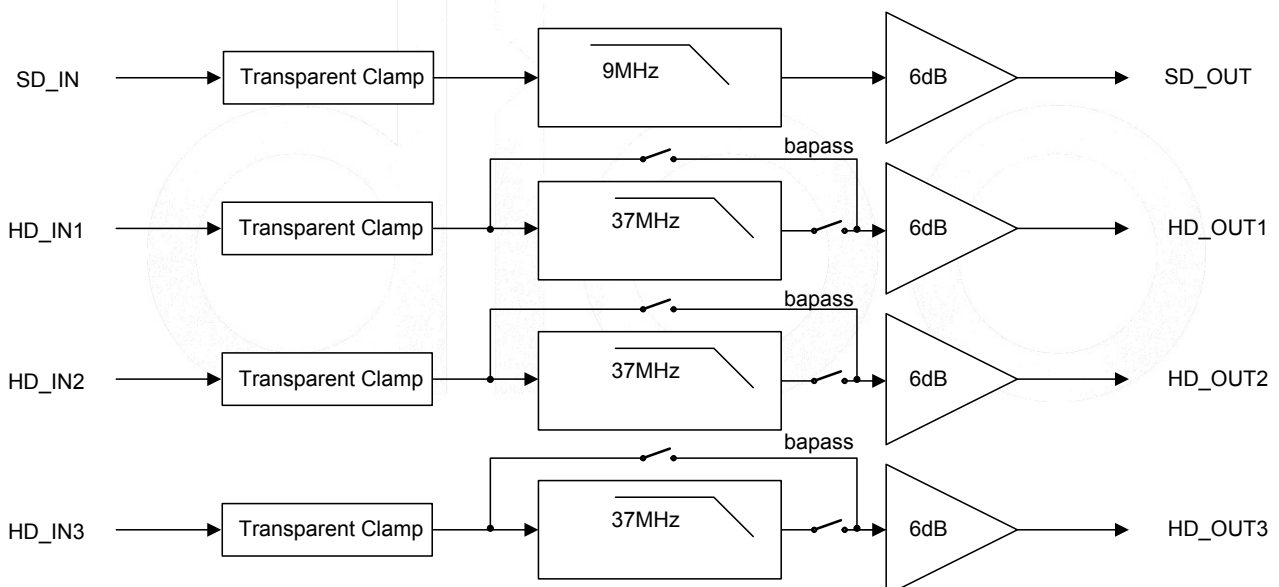
Descriptions

DIO2774 is a low power, 4 channels video amplifier with one standard definition (SD) for CVBS video and three high-definition (HD) filter channels. The CVBS filter features 8th order filter and the HD channels feature 8th order filters.

All CVBS and HD filters are used as digital-to-analog converter (DAC) reconstruction filters or as analog-to-digital converter (ADC) filters. The HD filters can be bypassed to support 1080p60 video or up to super extended graphics array (SXGA) RGB video.

Either ac or dc-coupled inputs can configure the device. And the device has flexible input coupling capabilities also.

Block Diagram





DIO2774

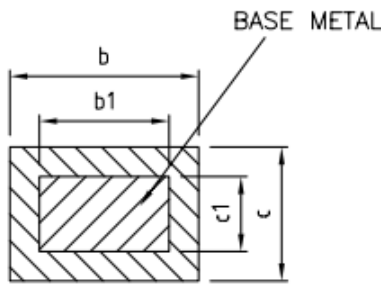
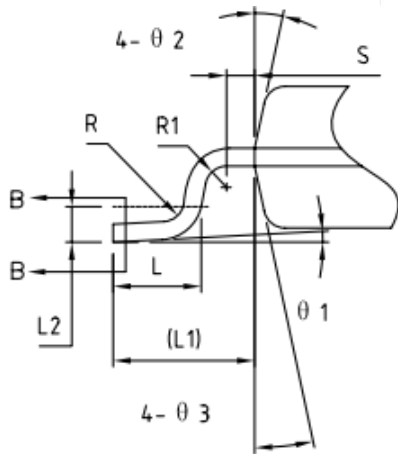
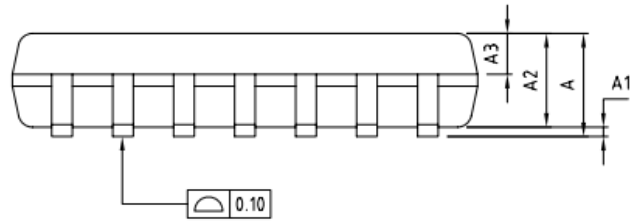
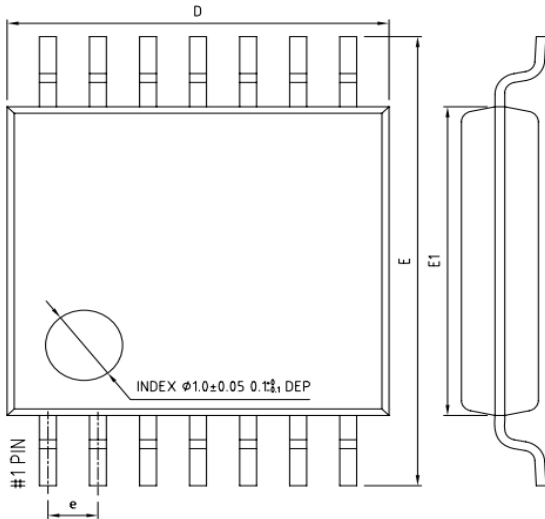
4-Channel Video Amplifier with One SD and Three HD 8th Order Filters with 6-dB Gain

Ordering Information

Order Part Number	Top Marking		T _A	Package	
DIO2774CT14	DIO2774	RoHS or Green	-40 to +85°C	TSSOP-14	Tape & Reel, 2500



Physical Dimensions: TSSOP-14



SECTION B-B

COMMON DIMENSIONS
(UNITS OF MEASURE=MILLIMETER)

Symbol	MIN	NOM	MAX
A	-	-	1.2
A1	0.05	-	0.15
A2	0.90	1.00	1.05
A3	0.34	0.44	0.54
b	0.20	-	0.28
b1	0.20	0.22	0.24
c	0.10	-	0.19
c1	0.10	0.13	0.15
D	4.86	4.96	5.06
E	6.20	6.40	6.60
E1	4.30	4.40	4.50
e	0.65BSC		
L	0.45	0.60	0.75
L1	1.00REF		
L2	0.25BSC		
R	0.09	-	-
R1	0.09	-	-
S	0.20	-	-
θ1	0°	-	8°
θ2	10°	12°	14°
θ3	10°	12°	14°

CONTACT US

Dioo is a professional design and sales corporation for high-quality and performance analog semiconductors. The company focuses on industry markets, such as, cell phone, handheld products, laptop, and medical equipments and so on. Dioo's product families include analog signal processing and amplifying, LED drivers and charger IC. Go to <http://www.dioo.com> for a complete list of Dioo product families.

For additional product information, or full datasheet, please contact with our Sales Department or Representatives.

