



**LTEM NO.: SNO-1305-B** (Consumer Electronics)

(14.0L × 11.2W × 1.4H & NANO-SIM Sockets)

## MEMORY-CARD-SOCKETS



### Technical parameter

表面贴装 SMT

PROJECT	LEVEL	A[better product]	B[average product]
		Contact Rating	50mA, 24V DC
Electrical Properties	Initial Contact Resistance	50mΩ max.	80mΩ max.
	Insulation Resistance	100MΩ min. 500V DC	
Durable Performance	Withstand Voltage	500V AC for 1 minute	350 V AC for 1 minut
	There No Load	5,000 Cycles	3,500 Cycles
	Rated Load	3,500 Cycles	2,500 Cycles
	Storage temp.	-35℃~+75℃(Operating Temp: )	

上掀操作 HINGE

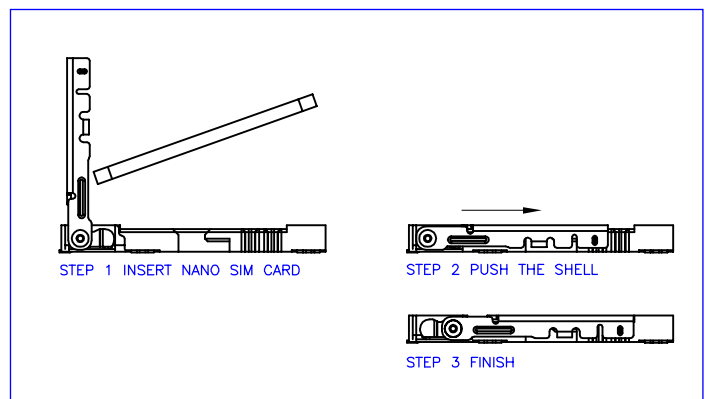
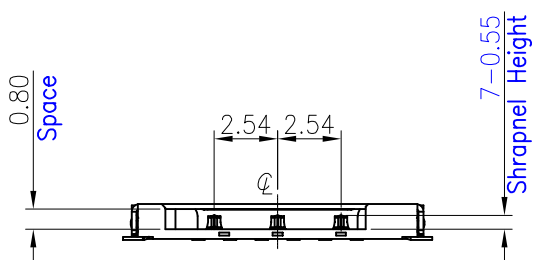
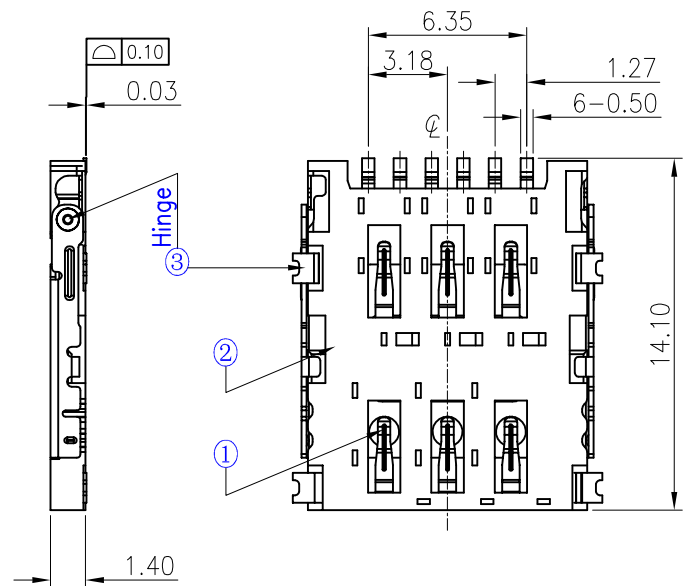
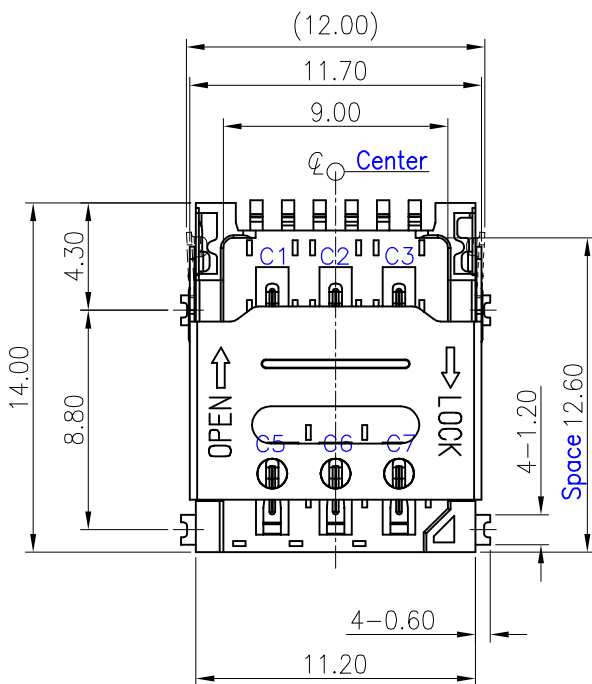
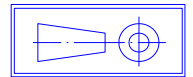
精密部品 NICETY

可靠 STABILIZE

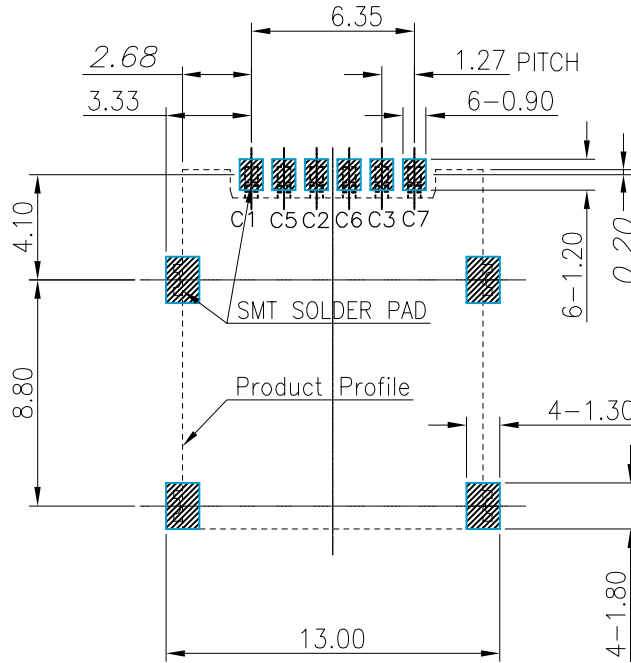
適合環保 RoHS

Page1

Unit:mm



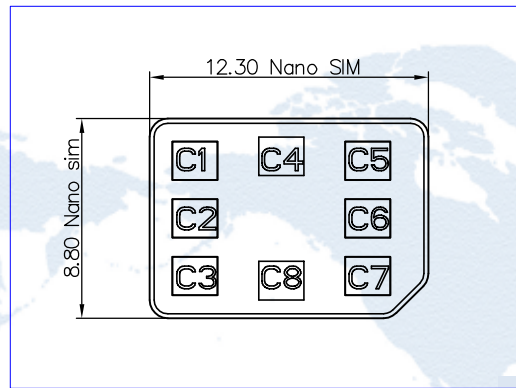
<b>Operating Force</b>	Inward	2.5~4.5N. (1N.=100gram-force)	<b>Solder-ability (Max.)</b>	IR Reflow:255°C,5sec.
	Exiting	2.5~4.5N. (1N.=100gram-force)		Manual :350°C, 3sec.



DECIMALS	ANGLES
.X :±0.20	X.° :±1.5°
.XX :±0.10	X.X° :±1.0°
.XXX :±0.05	XXX° :±0.5°

Pin definition

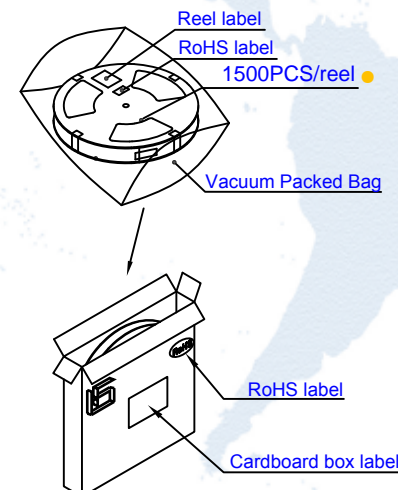
SIM CARD			
Pin No.	Pin NAME	Type	Description
C ①	卡電源	1	VCC
C ②	復位	1	RST
C ③	時鐘	1	CLK
C ⑤	接地	1	GND
C ⑥	Vpp	1	VPP
C ⑦	輸入/輸出	1	I/O



NANO-SIM

Material declaration

NAME	MATERIAL	PLATING
① 接觸端子 Terminal	C5210-EH (t=0.12mm)磷銅【镍基 Ni50u” 鍍金 1u”】	G/F
② 基座 Housing	LCP 耐热塑胶 (UL94V-0) BLACK	SET
③ 上盖 Cover	SUS304-H(t=0.20mm)不锈钢【GND 焊点鍍金 1u”】	AU/Ni



注記 NOTICE

1. 碩方公司擁有最終解釋權；The SOFNG company reserves the right of final interpretation;
2. 文件禁止外洩、轉載；Leaked and reproduced prohibited;
3. 未經授權修改無效。Modify is invalid.