

P/N CODE:C86572

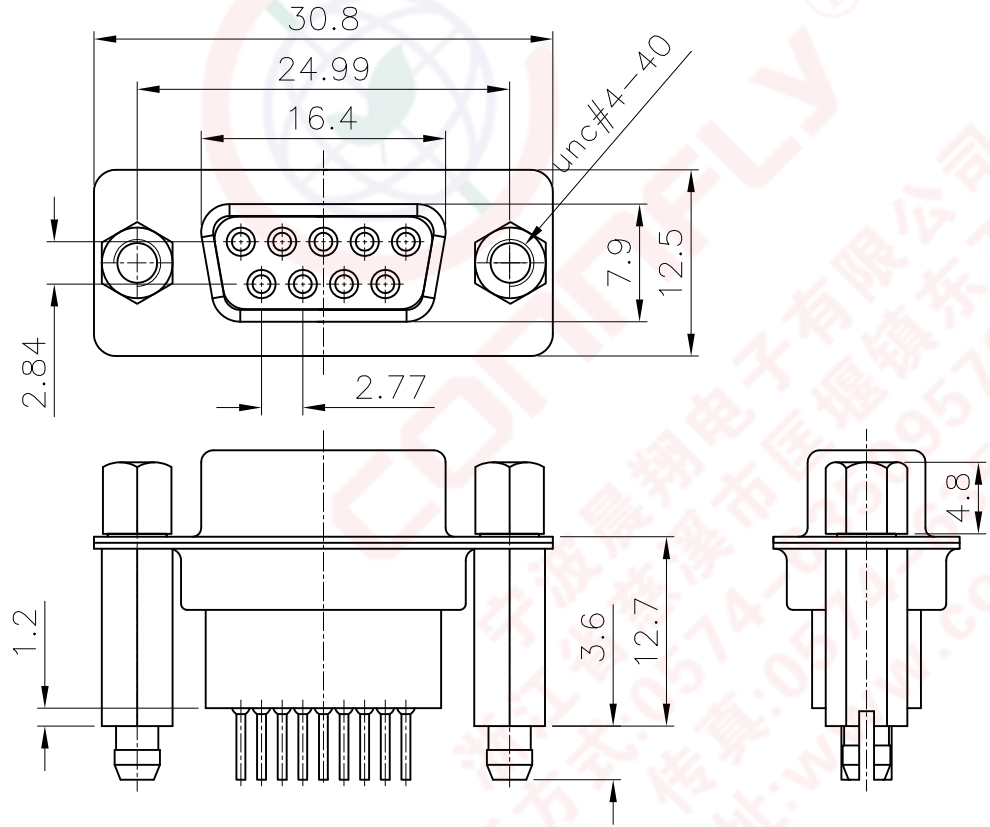
REV.	DESCRIPTION	DRAWN	CHECKED	APPROVED
A	NEW RELEASE	JLZ 06/12/16'	~	

NOTES:

- ELECTRICAL CHARACTERISTICS:
 - CONTACT RESISTANCE: 20mΩ Max. INITIAL.
 - DIELECTRIC WITHSTANDING VOLTAGE: 500V AC(rms) FOR 1 MINUTE.
 - INSULATION RESISTANCE: 1000MΩ Min.
- ENVIRONMENT CHARACTERISTICS:
 - TEMPERATURE: -40°C~+105°C.
- RESISTANCE TO SOLDERING HEAT: 260±5°C 5±0.5s.
- PRODUCT NUMBER CODE:

DS1034-01- X X X X X X - JC

- SCREW DIM. A
4: 4.80
- SCREW TYPE
4: BRJ TYPE (W/O washer)
- CONTACT PLATING
0: SELECTIVE GOLD FLASH
- SHELL PLATING
N: FORNT SHELL NICKEL, BACK SHELL TIN
- HOUSING COLOR
B: BLACK
- CONNECTOR TYPE
F: FEMALE
- No.OF CONTACTS
09: 9pos.



GENERAL TOLERANCE		ANGLE TOLERANCE	
X.	±0.60	X.	±5°
.X	±0.38	.X	±3°
.XX	±0.25	.XX	±2°

PROJECTION		TITLE	D-SUB DIP STRAIGHT WITH FORK TYPE
UNITS	mm	SHEET SIZE	A4
SHEET SIZE	A4	SERIES	DS1034-01 SERIES

DRAWING TYPE	CUSTOMER		
SCALE	1:1	SHEET	1 OF 1
DRAWING NO.	C-DS1034-01-XXXXXX-JC-A		

晨翔电子有限公司
CONNFLY CONNFLY ELECTRONIC CO. LTD