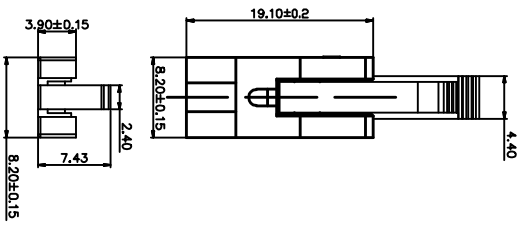
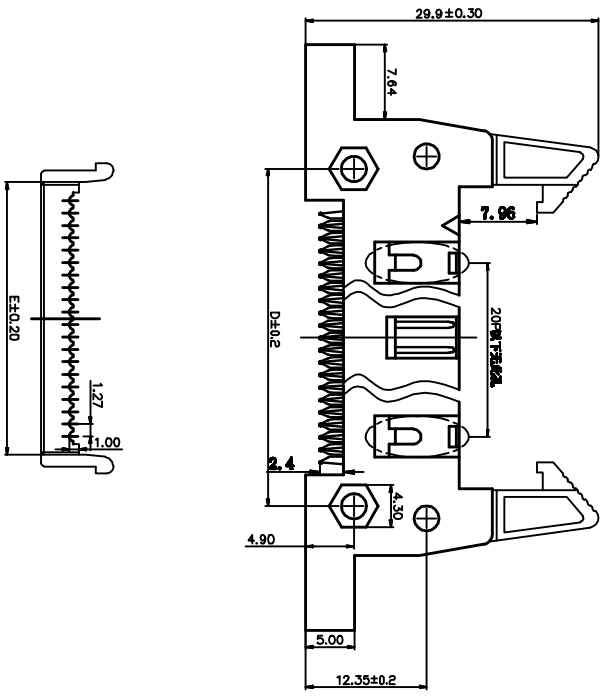
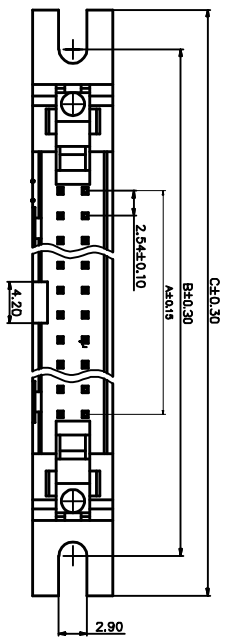


客户确认
日期



SPECIFICATIONS

Current Rating : 3 AMPS
 Withstanding Voltage : AC 1000V
 Insulation Resistance : 1000M Ω Min
 Contact Resistance : 20m Ω (max)
 Operating Temperature : -40°C to +105°C
 Insulator Material : Polyester (UL 94V-0)
 Standard : PBT
 Contact Material : Brass
 Contact plating : Au or Sn over 50u" Ni
 Max Processing Temp : 180°C for 30-60 seconds
 (200°C for 10 seconds)

Pos.	Part No.	Dim.				
		A	B	C	D	E
10	310F-10P 有耳	10.16	39.10	47.20	21.80	15.20
14	310F-14P 有耳	15.24	44.18	52.28	26.88	20.28
16	310F-16P 有耳	17.78	46.72	54.82	29.42	22.82
20	310F-20P 有耳	22.86	51.80	59.90	34.50	27.90
24	310F-24P 有耳	27.94	56.88	64.98	39.58	32.98
26	310F-26P 有耳	30.48	59.42	67.52	42.12	35.52
30	310F-30P 有耳	35.56	64.50	72.60	47.20	40.60
34	310F-34P 有耳	40.64	69.58	77.68	52.28	45.68
40	310F-40P 有耳	48.26	77.20	85.30	59.90	53.30
50	310F-50P 有耳	60.96	89.90	98.00	72.60	66.00
60	310F-60P 有耳	73.66	102.60	110.70	85.30	78.70
64	310F-64P 有耳	78.74	107.68	115.78	90.38	83.78

TOLERANCE TABLE

.0	±0.30
.00	±0.20
.000	±0.05

APPROVED: _____ DATE: _____

CHECKED: _____ DATE: _____

DRAWN: SYA DATE: 2019-05-17

TITLE: 310F-XP 压线式 有耳

CLIENT P/N: B-3100FFXP-E800

UNIT: mm SCALE: Free

FILE NO: Ckmtw-310-00023 REV: 0700

深圳市灿科盟实业有限公司
 CHANKEMENG INDUSTRY CO., LTD