

Fig.1 POTENTIOMETER OUTPUT RATIO VS ROTOR POSITION

CW方向に回転させ0.3±0.001Vの位置を、回転角度0°とする。
Position at 0.3±0.001V is defined as rotational angle 0° with rotated in CW direction.

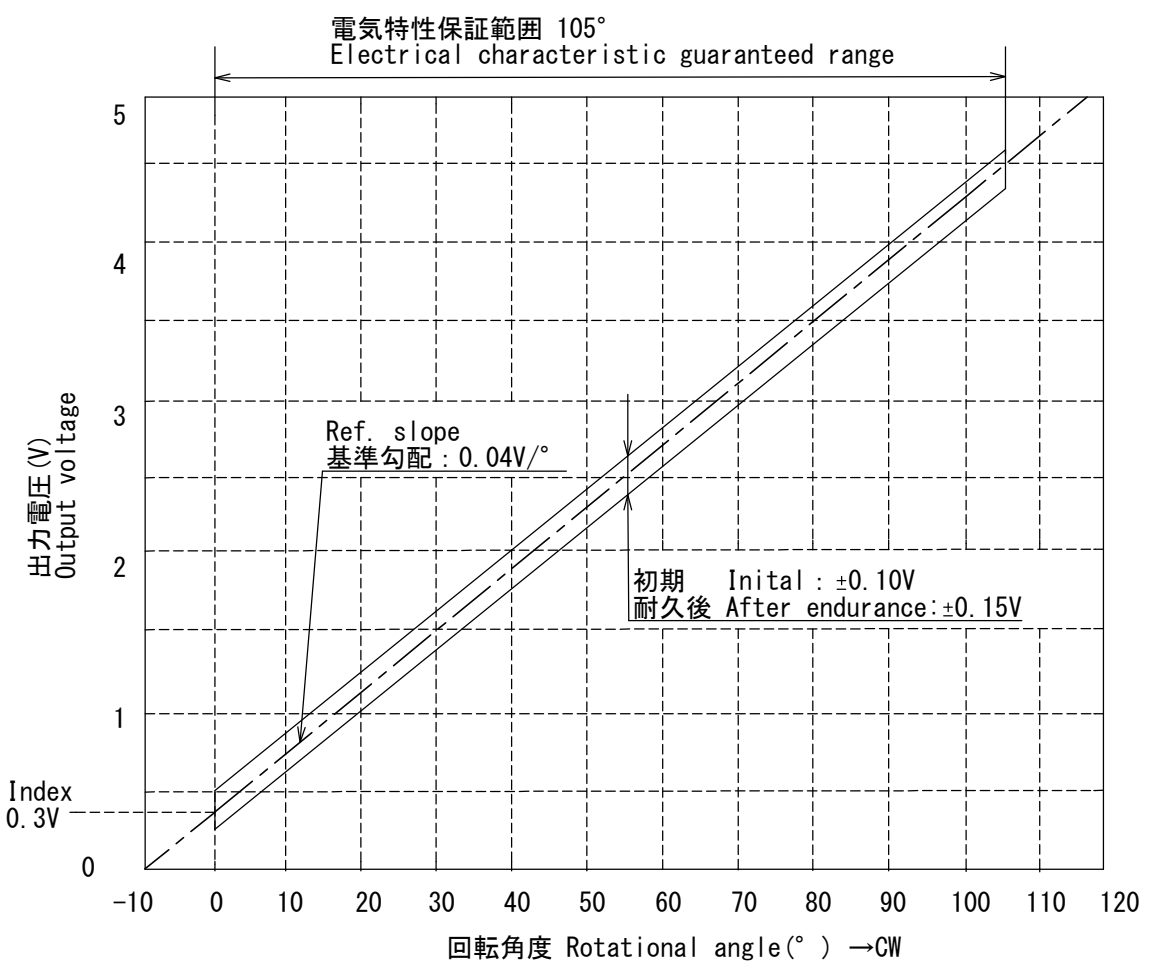
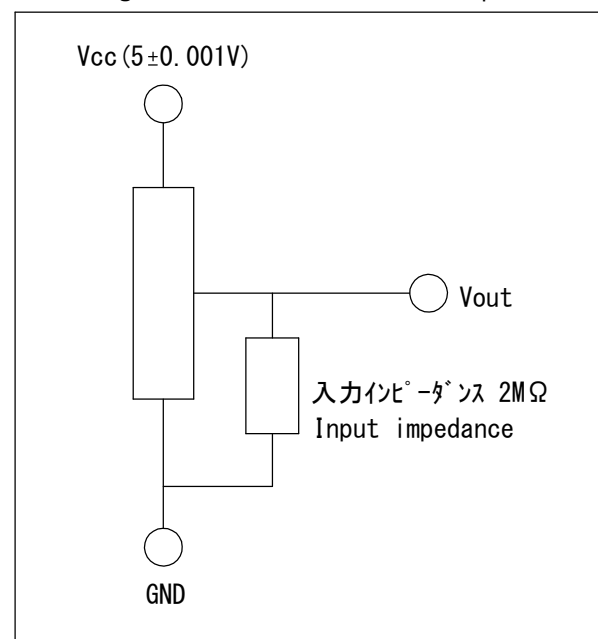
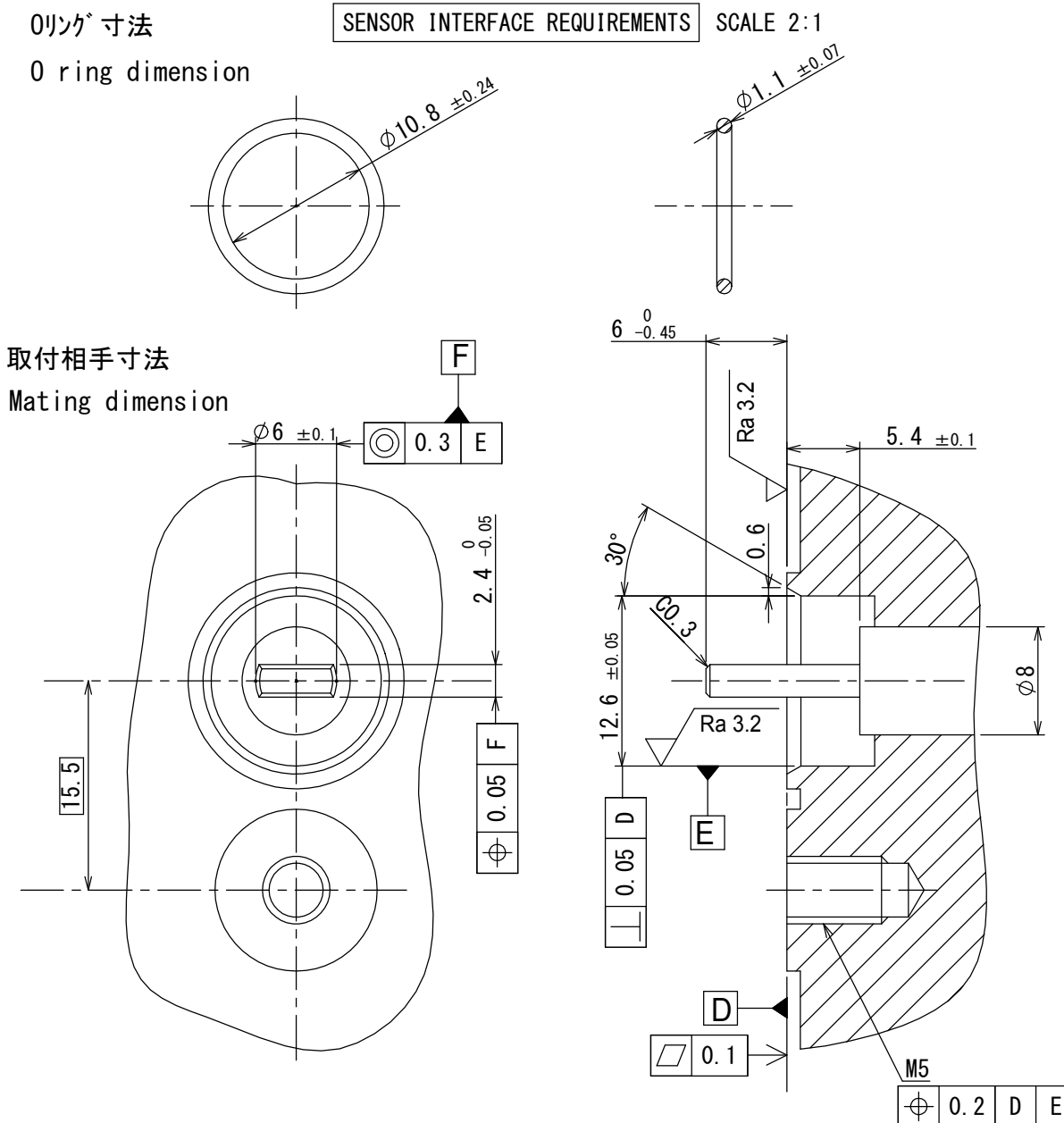


Fig.2 電気出力特性測定回路
Measuring circuit of electrical output characteristic

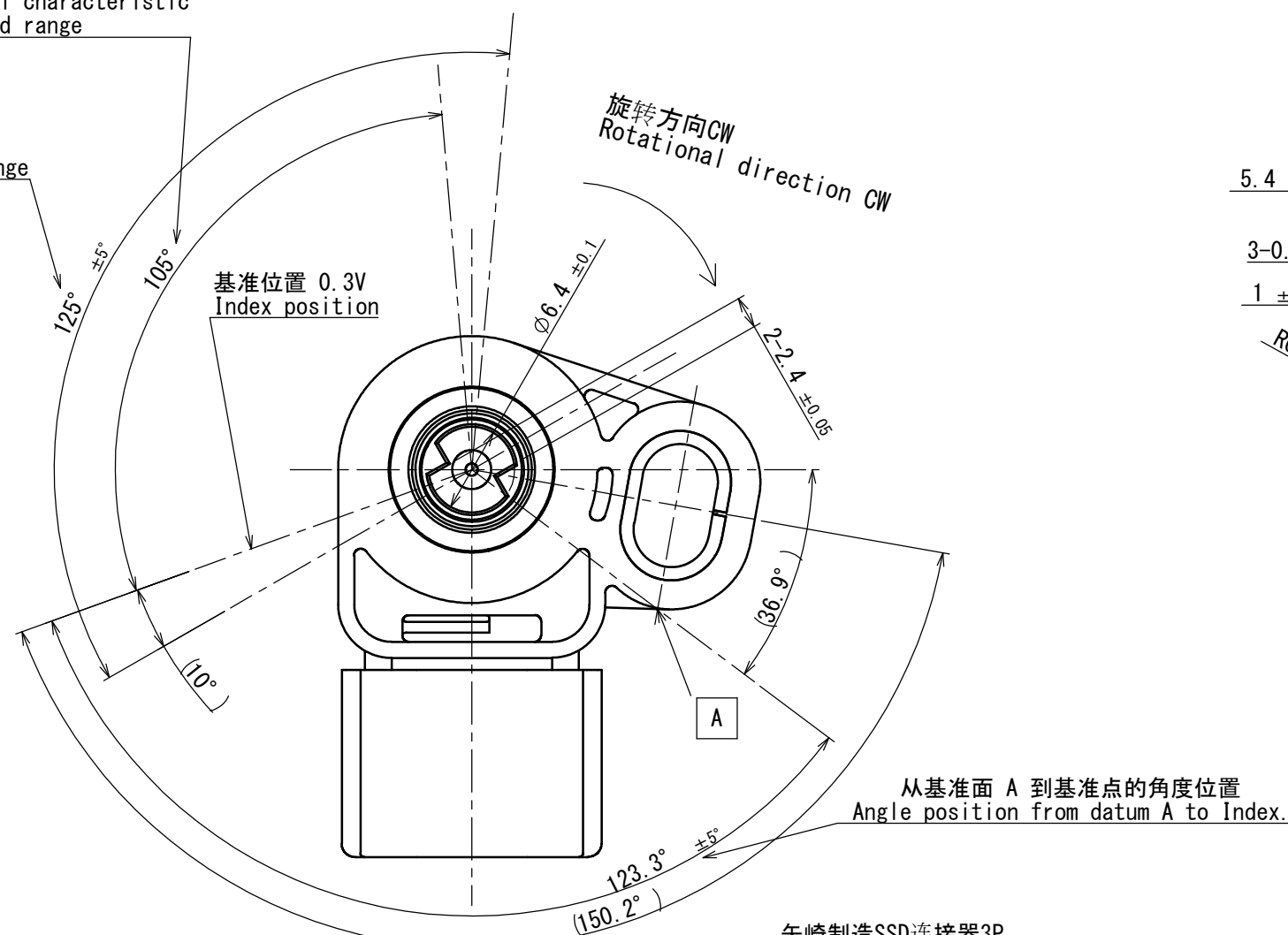


ME-CHECK: ST-CHECK: PE-CHECK: 8



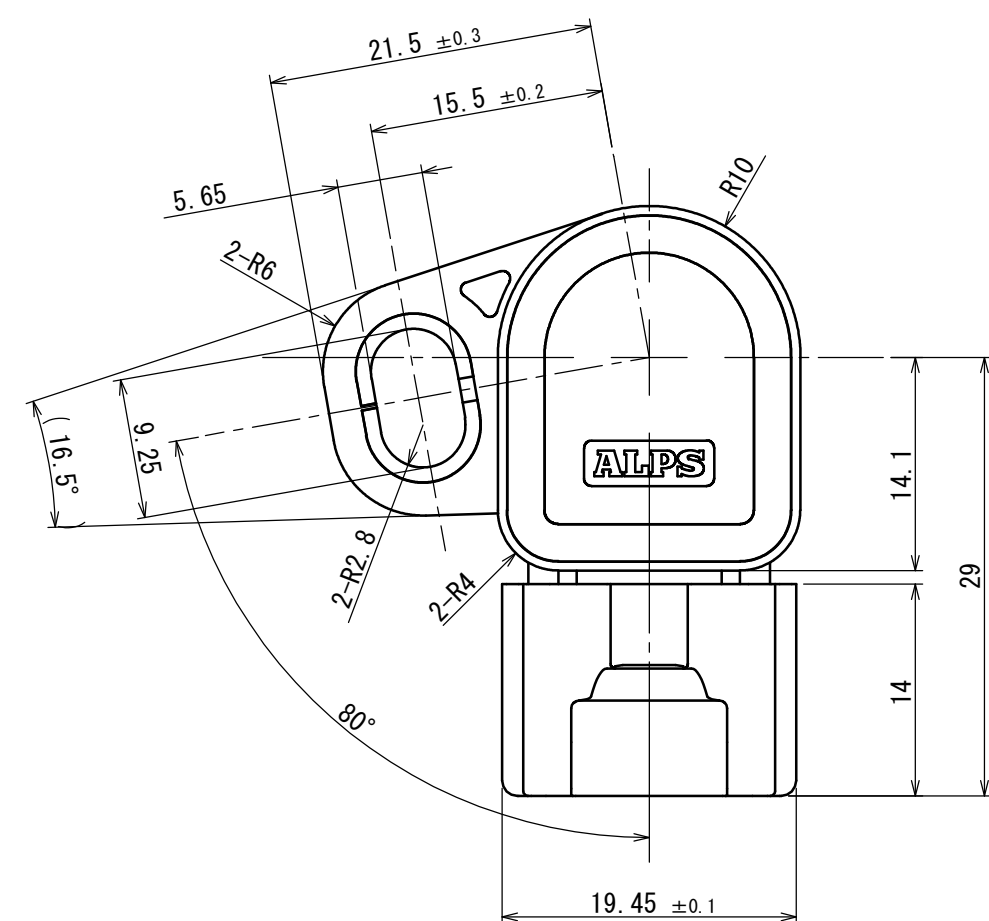
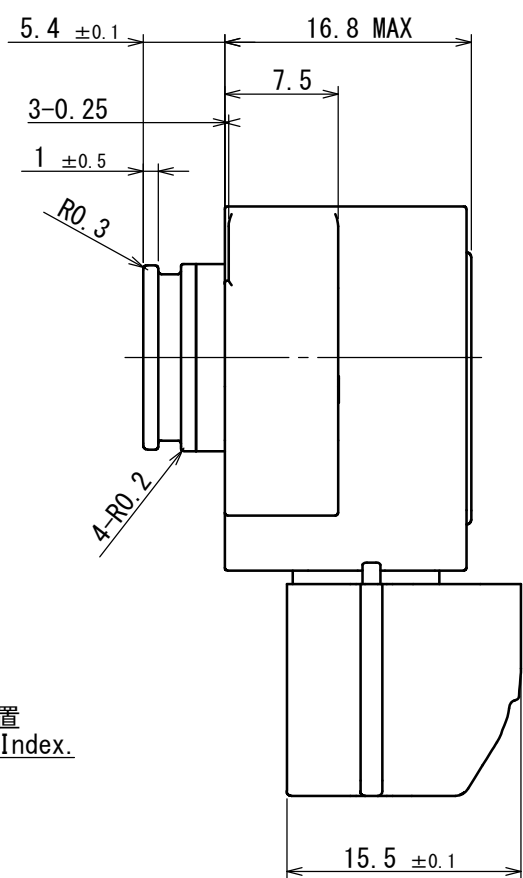
电气性能保証範囲
Electrical characteristic guaranteed range

機械回転範囲
Mechanical rotational range



矢崎制造SSD连接器3P
连接器型号 7283-8730-30
Mating connector:
YAZAKI Made SSD connector 3P
P/N7283-8730-30

端子镀层规格: 镀完Ni后, 再镀Sn
Terminal plating: Base: Ni Overcoat: Sn



如对中文释义有疑问, 请参考英语原文。
If any doubt about meaning, English will be taken as reference language.

PART NO.	NAME	SPEC	MATERIAL	FINISH
ALPS ELECTRIC CO., LTD.				
DSGD: C4-3G-B100625		SCALE: 2:1	NO.	
S. Oikawa		2014-11-12	TITLE	
CHKD: K. Ishihara		2014-11-12	ALPS標準TPS (CW) (1/2)	
APPD: N. Hirose		2014-11-12	UNIT: mm	DOCUMENT NO: RD1010029
SYMB	DATE	APPD	CHKD	DSGD

未指定部分的容许公差 TOLERANCES UNLESS OTHERWISE SPEC:	角度 ANGULAR DIMENSION
L ≤ 10 ±0.3	±5°
10 < L ≤ 100 ±0.5	
L > 100 ±0.8	

