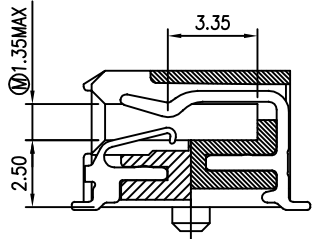
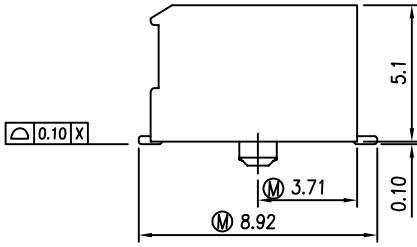


**RECOMMENDED PCB LAYOUT**  
Tolerance: ±0.05



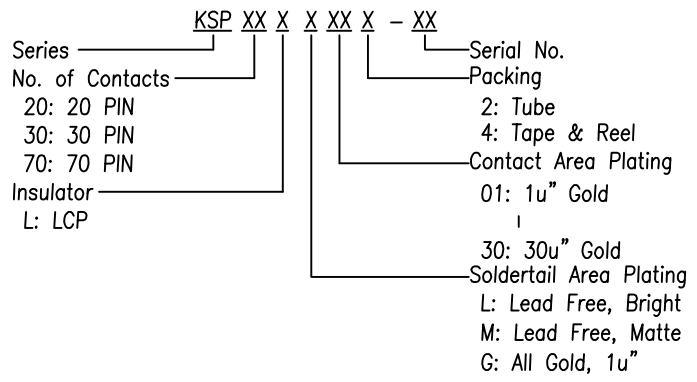
SECTION F-F

**Material:**  
Insulator: LCP(MG-350BPRL) , UL 94V-0,Color: Black.  
Contact: Phosphor Bronze , C5191 0.2t  
Contact Plating: Selected Gold Plating On Contact Area.  
1u" Gold Min. Over Nickel Underplated Overall.  
ROHS Compliant

**Electrical:**  
Voltage Rating: 100V AC.  
Current Rating: 1 A.  
Contact Resistance: 40 milliohms Max.  
Dielectric Withstanding Voltage: 500V AC Min.  
Insulation Resistance: 1000 Megaohms Min.

**Environmental:**  
Temperature Range: -40°C to +85°C.

PART NO.



PRODUCT NO.	Pos. No.	DIM. A	DIM. B	DIM. C	DIM. D	DIM. E
KSP20XXXXX-XX	20	7.60	9.40	11.00	7.2	9.600
KSP30XXXXX-XX	30	11.60	13.40	15.00	11.2	13.600
KSP70XXXXX-XX	70	27.60	29.40	31.00	27.2	29.600

PRODUCT NO.	Pos. No.	W	X	Y
KSP20XXXXX-XX	20	10	11	20
KSP30XXXXX-XX	30	15	16	30
KSP70XXXXX-XX	70	35	36	70

REV	ECN NO.	NAME	DATE	TOLERANCE	
				LINEAR	ANGLES
G	E1411916	Jiang Min	Nov,04,2014		
F	12032	Willson	May,30,2012	X.±0.20	X'±
E	11078	Willson	Apr,02,2012	.X±0.15	.X'±
D	08079	Terry	Dec,08,2008	.XX±0.08	.XX'±
				.XXX±0.05	.XXX'±

**UMax conn** 东莞市友贸实业有限公司  
DONGGUAN UMAXCONN ENTERPRISE LIMITED

APPD: Jason    MAT'L:     
CHKD: Schumi    FINISH:     
DRWN: Terry    Q'TY:   

TITLE: SFP Connector 0.8mm Pitch

PART NO. KSPXXXXXX-XX

DWG NO. SF05002

UNITS	MM	SCALE	1 : 1	SHEET	1 OF 1	REV	G