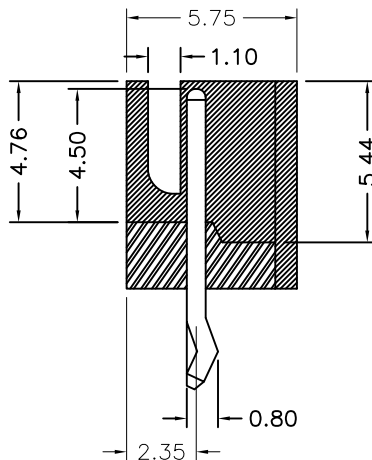


Top view

Recommended P.C.Board layout



MATERIAL

Insulator : NYLON 66 + 30% Glass fiber
Contact Pin : Brass

SPECIFICATION

Current Rate : 3 AMP
Dielectric voltage : 1000V AC for one minute
Insulation Resistance : 1000MΩMin
Contact Resistance : 20mΩMax
适用波峰焊制程温度; 260°C ± 5°C 3~5s

753-8 1-04 5 W 0 0
1 2 3 4 5

1. 8: Green Product
2. No. of contacts per row
3. G: Gold flash
S: Selective
T: Tin plated
5: Matte Tin plated
4. S: Crystal insulator
W: Nature Color Insulator
5. Pinrex internal code.

ROHS 2.0

				TOLERANCE				OLD PART NO.		TITLE		 频锐科技股份有限公司 PINREX TECHNOLOGY CORP.
C	增加PIN1標註	2017/04/18		.0 = ±.30	UNITS : mm		DRAWER 杨海琴		CHECK		2.5mm HEADER DIP TYPE	
B	增加材质、温度、ROHS2.0	2014/03/20		.00 = ±.20	SCALE NONE	SIZE A4	SHEET 1 OF 1	REV. C	APP'D	NEW PART NO. 753-81-045W00		DRAW NO. 753-81-045W00(C版)
A	RELEASE	2013/03/11		.0000 = ±.000								
REV.	DESCRIPTION	DATE		ANG. = ±3'								