



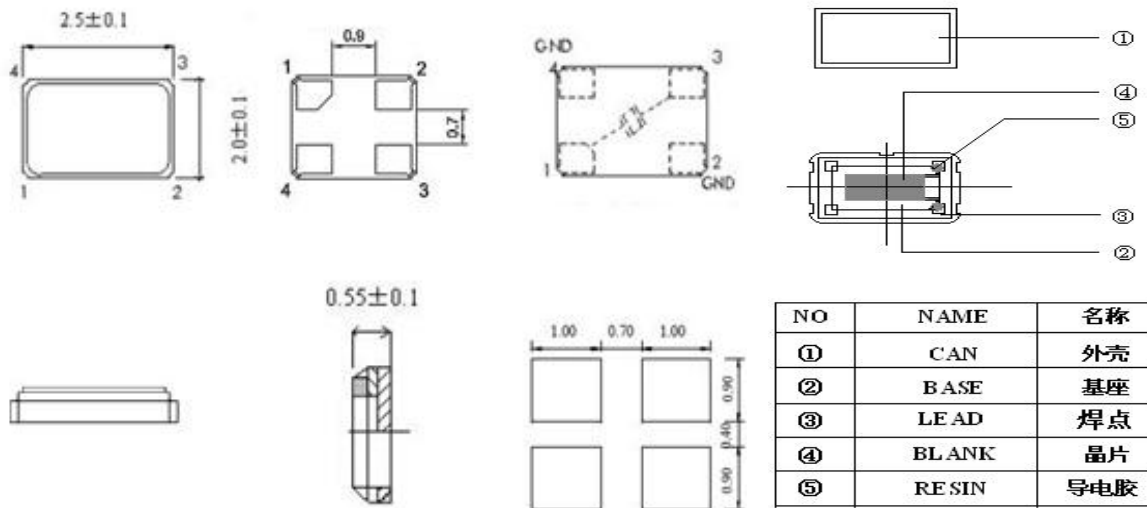


<p>深圳市新天源电子有限公司</p> <p>Shenzhen Xintianyuan Electronics Co., Ltd.</p>	<p>石英晶体谐振器规格书</p> <p>Specification of Quartz Crystal</p>	<p>NO: XTY0293-7023</p>
	<p>无源 SMD2520 4pin</p>	<p>Date: 2019/06/15</p>
<p>一、石英晶体规格参数</p> <p>Quartz Crystal Specification Parameters</p>		
<p>1、产品型号</p> <p>Holder Type</p>	<p>SMD 2520 (4pin)</p>	
<p>2、标称频率</p> <p>Nominal Frequency</p>	<p>40.000000MHz</p>	
<p>3、振动模式：</p> <p>Mode of Oscillation</p>	<p>Fundamental</p>	
<p>4、调整频差</p> <p>Frequency Tolerance at 25°C ±2°C</p>	<p>±10ppm at 25°C ±2°C</p>	
<p>5、等效电阻</p> <p>Equivalent Resistance(ESR)</p>	<p>≤40 Ω</p>	
<p>6、负载电容</p> <p>Load Capacitance(CL)</p>	<p>8pF</p>	
<p>7、温度频差</p> <p>Temperature Characteristics</p>	<p>±20ppm</p>	
<p>8、工作温度范围</p> <p>Operating Temperature range</p>	<p>-40~+85°C</p>	
<p>9、储存温度范围</p> <p>Storage Temperature range</p>	<p>-55~+125°C</p>	
<p>10、激励功率</p> <p>Drive Level</p>	<p>100uW</p>	
<p>11、静态电容</p> <p>Shunt Capacitance (C0)</p>	<p>&lt;4.0pF</p>	
<p>12、绝缘电阻</p> <p>Insulation Resistance</p>	<p>≥500MΩ (DC100V ±15V)</p>	
<p>13、测试仪器</p> <p>Measure Instrument</p>	<p>250B</p>	
<p>14、年老化率</p> <p>Aging Rate a Year</p>	<p>≤±3ppm/年</p>	

深圳市新天源电子有限公司 Shenzhen Xintianyuan Electronics Co., Ltd.	石英晶体谐振器规格书 Specification of Quartz Crystal	NO: XTY0293-7023
	无源 SMD2520 4pin	Date: 2019/06/15

## 二、石英晶体尺寸、结构

### Quartz Crystal Dimensions And Structure



## 三、石英晶体印字

### Quartz Crystal Marking



#### 印字: Marking

XTY: 新天源

Y为年(year): 8:2018; 9:2019...

M为月(Month): A:1; B:2...

P为负载 CL:20: 20pF

FF. FFFM为频率Frequency: 27.000M

例8C20: 8为2018年, C为3月, 20为20pF;

年、月、负载代码:

年	2015	2016	2017	2018	2019	2020	2021	2022	2023	2024	2025	2026
代码	5	6	7	8	9	0	1	2	3	4	5	6
月	1	2	3	4	5	6	7	8	9	10	11	12
代码	A	B	C	D	E	F	G	H	I	J	K	L
负载	9pF	10pF	11pF	12pF	13pF	14pF	15pF	16pF	17pF	18pF	19pF	SERIES
代码	9	10	11	12	13	14	15	16	17	18	19	S

深圳市新天源电子有限公司 Shenzhen Xintianyuan Electronics Co., Ltd.	石英晶体谐振器规格书 Specification of Quartz Crystal	NO: XTY0293-7023
	无源 SMD2520 4pin	Date: 2019/06/15

### 四、包装要求 Packaging

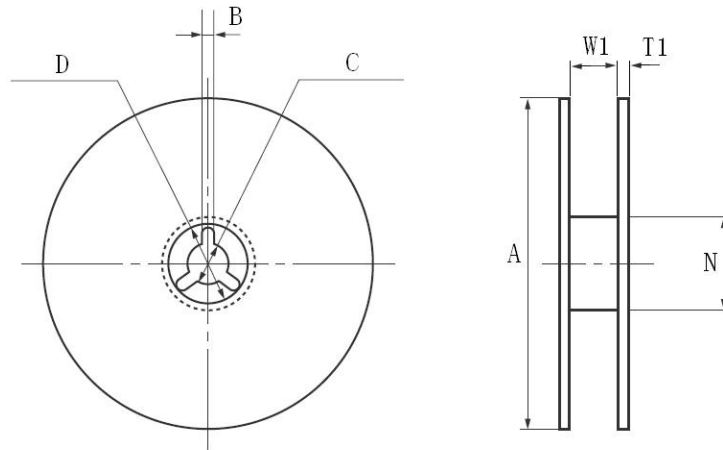
#### 1. 编带 Tape



Type	W	E	F	T	P	P0	P2	D0	D1	A0	KO	B0
SMD 2520	8.00	1.75	3.50	0.25	4.00	4.00	2.00	1.50	∅1.5	2.30	0.80	2.70

Unit:mm

#### 2. 轮 Reel



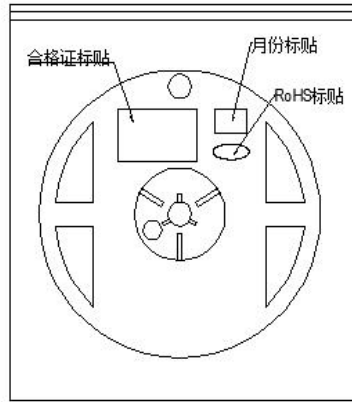
Type	A	B	C	D	N	W1	T1
SMD 2520	∅178	2.5	∅13	∅22.2	∅60	8.5	1.0

Unit:mm

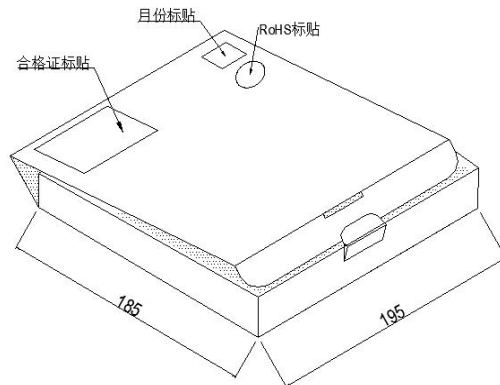
深圳市新天源电子有限公司 Shenzhen Xintianyuan Electronics Co., Ltd.	石英晶体谐振器规格书 Specification of Quartz Crystal	NO: XTY0293-7023
	无源 SMD2520 4pin	Date: 2019/06/15

3. 包装  
Package

3000只/1卷  
3000pcs/Reel



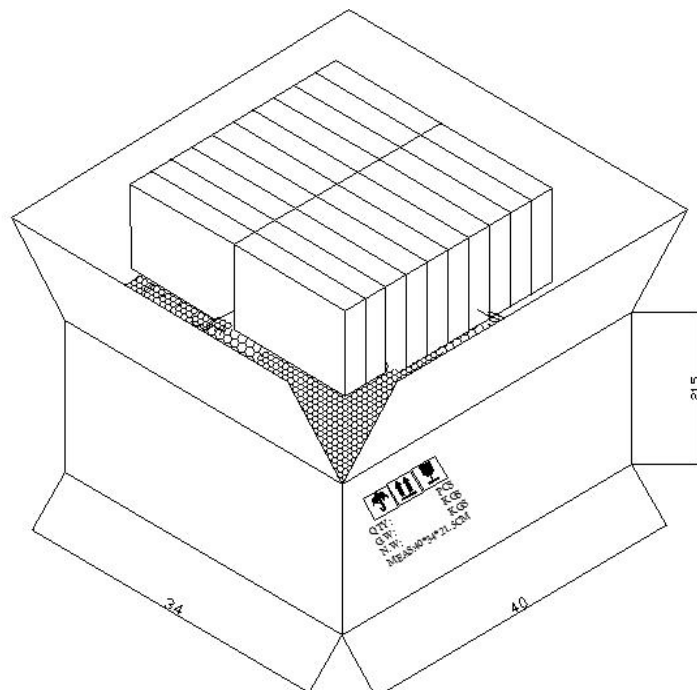
1轮=1盒  
1Reel=1Box  
Units: mm



合格证	
频率:	型号:
负载:	电阻:
频差:	数量:
日期:	供应商:
批号:	编号:
订单号:	料号:

包装箱  
Shipping Carton

40\*34\*21.5 (20 Box)  
27\*20\*32.2 (12 Box)  
27\*20\*20 (8 Box)  
Units: cm



深圳市新天源电子有限公司 Shenzhen Xintianyuan Electronics Co., Ltd.	石英晶体谐振器规格书 Specification of Quartz Crystal	NO: XTY0293-7023
	无源 SMD2520 4pin	Date: 2019/06/15

**五、石英晶体可靠性**  
**Reliability Test**

NO.	测试项目 Test Item	可靠性条件 Testing Condition	判定标准 Determinant Criteria
1.	跌落 Dropping Test	从75cm高度跌落到30mm厚硬木板上, 跌落三次 Drop the resonators from 75cm height to 30mm thick hardwood board, 3times.	$\Delta FL \leq \pm 5\text{ppm}$ $\Delta RS \leq \pm 10\%$ or $5\Omega$ (whichever is larger)
2.	振动 Vibration	频率 Frequency:10~60Hz; 幅度 Amplitude:0.75mm; 周期 Cycle time:10-55-10Hz: 1min; 振动方向 Direction:X, Y, Z; 振动时间 Duration: 每个方向2小时 2 h/direction.	$\Delta FL \leq \pm 5\text{ppm}$ $\Delta RS \leq \pm 10\%$ or $5\Omega$ (whichever is larger)
3.	高温 Heat Resistance	温度Temperature: $125^{\circ}\text{C} \pm 10^{\circ}\text{C}$ 时间Time: $720 \pm 24$ Hours	$\Delta FL \leq \pm 5\text{ppm}$ $\Delta RS \leq \pm 10\%$ or $5\Omega$ (whichever is larger)
4.	低温 Cold Resistance	温度Temperature: $-40^{\circ}\text{C} \pm 10^{\circ}\text{C}$ 时间Time: $720 \pm 24$ Hours	$\Delta FL \leq \pm 5\text{ppm}$ $\Delta RS \leq \pm 10\%$ or $5\Omega$ (whichever is larger)
5.	回流焊 (2次) Reflow (2times)	 <p>回流焊Reflow <math>260^{\circ}\text{C} \pm 5^{\circ}\text{C} \leq 10\text{s}</math></p>	$\Delta FL \leq \pm 5\text{ppm}$ $\Delta RS \leq \pm 10\%$ or $5\Omega$ (whichever is larger)
6.	耐焊接热 Resistance To Soldering Heat	焊接温度Soldering Heat: $320^{\circ}\text{C} \pm 10^{\circ}\text{C}$ 测试时间Test Time: $3.5\text{s} \pm 0.5\text{s}$ ;	$\Delta FL \leq \pm 5\text{ppm}$ $\Delta RS \leq \pm 10\%$ or $5\Omega$ (whichever is larger)
7.	气密性 Leakage	用氦质谱仪进行检测, 试验气体: He; 真空度: $1 \times 10^{-3}\text{Pa}$ ; Helium mass-mass-spectrometer detector, and vacuum and reach $1 \times 10^{-3}\text{Pa}$ ;	$\leq 1 \times 10^{-8}\text{atm} \cdot \text{cc/S}$
8.	高温高湿 Constant Temperature and Humidity	在温度 $60^{\circ}\text{C} \pm 5^{\circ}\text{C}$ , 湿度90%~99%, 储存720小时, 取出2小时后测试; Stored at $60^{\circ}\text{C} \pm 5^{\circ}\text{C}$ , Humidity 90%~99% For a period of minimum 720hours. Then $25^{\circ}\text{C} \pm 3^{\circ}\text{C}$ and 2 hours before testing	$\Delta FL \leq \pm 5\text{ppm}$ $\Delta RS \leq \pm 10\%$ or $5\Omega$ (whichever is larger) Appearance OK
9.	温度冲击 Temperature Shock	低温Low $-40^{\circ}\text{C} \pm 2^{\circ}\text{C}$ (120min) $\leftrightarrow$ 高温High $85^{\circ}\text{C} \pm 2^{\circ}\text{C}$ (120min); 循环10次; For 10 cycles	$\Delta FL \leq \pm 5\text{ppm}$ $\Delta RS \leq \pm 10\%$ or $5\Omega$ (whichever is larger)