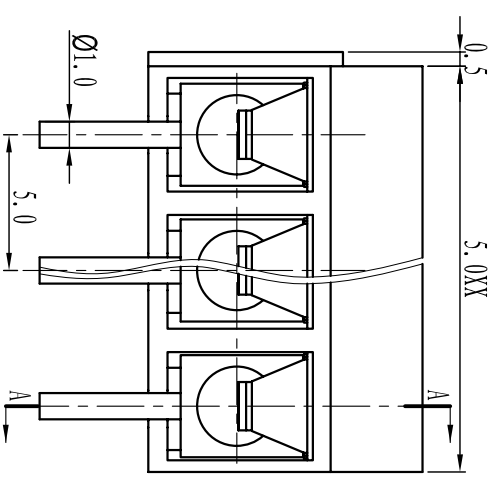
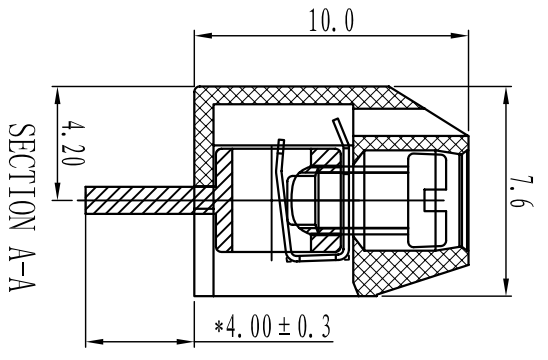
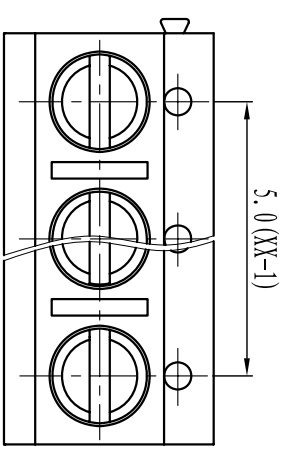
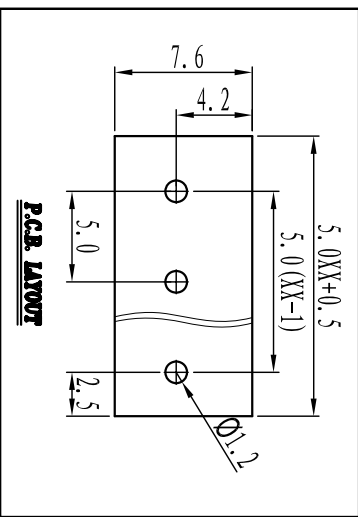




Cixi Dibo Electronics Co., LTD

产品规格书
product specification



电气性能/Electrical
 参考标准/Standard: UL IEC
 额定电压/Rated voltage: 250V 250V
 额定电流/Rated current: 16A 17.5A
 接触电阻/Contact resistance: 20mΩ
 使用线径/Wire range: 22-14AWG 1.5mm²
 耐电压/Withstanding voltage: AC2000V/1Min
 绝缘电阻/Insulation resistance: 500MΩ/DC500V

机械性能/Mechanical
 温度范围/Temp.Range: -40°C~+120°C
 扭矩/Torque: 0.4Nm (3.5lb·in)
 剥线长度/Strip length: 4.5-5mm

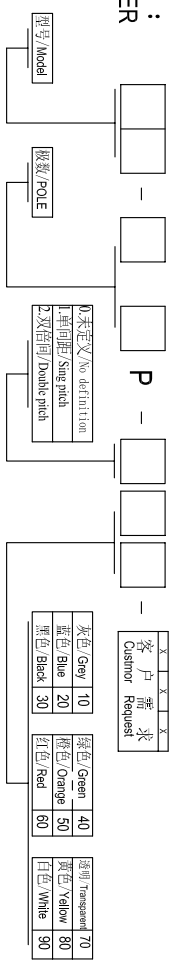
尺寸/Dimensions
 间距/Pitch: 5.0mm
 极数/Poles: 2P-24P
材质及电镀/Material
 塑件/Housing: PBT, UL94V-0
 螺丝/Screws: M2, steel Zinc plated
 方针/Pin header: Brass, Snce plated
 弹片/Shrapnel: Phosphor bronze, Ni plated

TOLERANCES EXCEPT AS NOTED

linear dimension (Tolerances Standard GB/T 14486-2008)

tolerance	±0.1	±0.14	±0.19	±0.25	±0.32	±0.43	±0.57	±0.72	±0.88	±1.05	±1.25	0.5	0.025	0.06	0.12	0.4
variable range	6 to	6 to	10 to	18 to	30 to	50 to	80 to	120 to	160 to	200 to	250 to	all	5 to	5 to	30 to	120 to
tolerance	over	over	over	over	over	over	over	over	over	over	over	≡	—	□	//	⊥

订购方式:
HOW TO ORDER



单位/UNITS mm 尺寸/SIZE A4 比例/SCALE 比例

第二视角/THIRD ANGLE PROJECTION

Cixi Dibo Electronics Co., LTD

名称/NAME DB301V-5.0