



# Cixi Dibo Electronics Co.,LTD

产品规格书  
product specification

## 电气性能/Electrical

参考标准/Standard: UL IEC  
 额定电压/Rated voltage: 300V 250V  
 额定电流/Rated current: 8A 10A  
 接触电阻/Contact resistance: 20m $\Omega$

耐电压/Withstanding voltage: AC2000V/1Min

绝缘电阻/Insulation resistance: 500M $\Omega$ /DC500V

## 机械性能/Mechanical

温度范围/Temp.Range: -40 $^{\circ}$ C $^{+}$ 105 $^{\circ}$ C

瞬间温度/MAX Soldering: +250 $^{\circ}$ C, for 5 Sec

## 尺寸/Dimensions

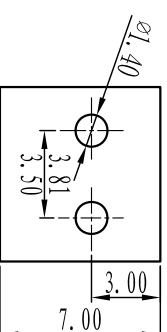
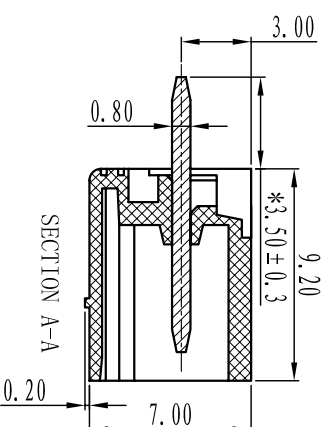
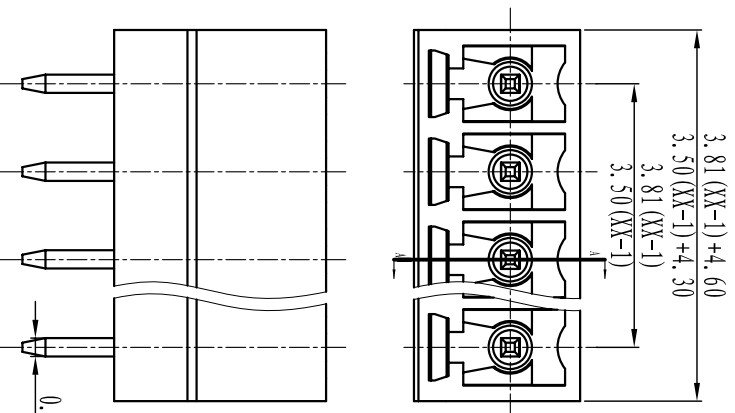
间距/Pitch: 3.81mm/3.50mm

极数/Poles: 2P-24P

## 材料及电镀/Material

塑件/Housing: PA66, UL94V-0

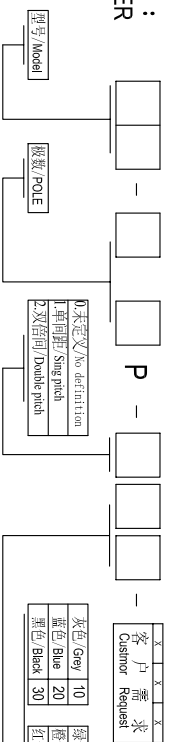
焊针/Pin header: Brass, Tin plated



## TOLERANCES EXCEPT AS NOTED

	linear dimension	fillet	chamfer	short angle sid	≡	—	□	//	⊥
variable range	over 6 to 30	over 30 to 120	over 120 to 480	over 480 to 6	all to 6	over 6 to 10	over 10 to 50	over 50 to 120	all to 5
tolerance	±0.1	±0.2	±0.3	±0.5	±0.9	±0.2	±0.5	±1	1 $^{\circ}$
	to 6	to 30	to 120	to 480	to 6	to 10	to 50	to 120	to 5
	to 30	to 120	to 480	to 6	to 10	to 50	to 120	to 120	to 120
	to 120	to 480	to 6	to 10	to 50	to 120	to 120	to 120	to 120
	to 480	to 6	to 10	to 50	to 120	to 120	to 120	to 120	to 120
	to 6	to 30	to 120	to 480	to 6	to 10	to 50	to 120	to 120
	to 30	to 120	to 480	to 6	to 10	to 50	to 120	to 120	to 120
	to 120	to 480	to 6	to 10	to 50	to 120	to 120	to 120	to 120
	to 480	to 6	to 10	to 50	to 120	to 120	to 120	to 120	to 120
	to 6	to 30	to 120	to 480	to 6	to 10	to 50	to 120	to 120
	to 30	to 120	to 480	to 6	to 10	to 50	to 120	to 120	to 120
	to 120	to 480	to 6	to 10	to 50	to 120	to 120	to 120	to 120
	to 480	to 6	to 10	to 50	to 120	to 120	to 120	to 120	to 120

## 订购方式: HOW TO ORDER



单位/UNITS	尺寸/SIZE	比例/SCALE
mm	A4	

Cixi Dibo Electronics Co.,LTD

名称/NAME	第一视角/FIRST ANGLE PROJECTION
DB2EVC-3.81/3.5	

灰色/Grey	10	绿色/Green	40	透明/Transparent	70
蓝色/Blue	20	棕色/Orange	50	黄色/Yellow	80
黑色/Black	30	红色/Red	60	白色/White	90