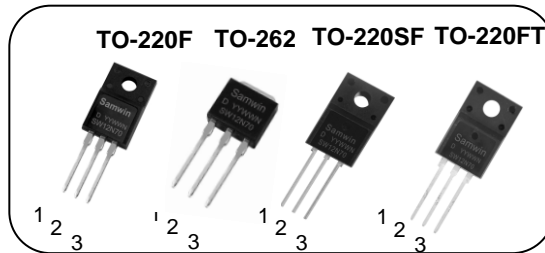


N-channel Enhanced mode TO-220F/TO-262/TO-220SF/TO-220FT MOSFET

Features

- High ruggedness
- Low $R_{DS(ON)}$ (Typ 0.75Ω)@ $V_{GS}=10V$
- Low Gate Charge (Typ 47nC)
- Improved dv/dt Capability
- 100% Avalanche Tested
- Application: LED, PC Power, Charge

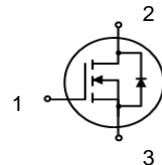


1. Gate 2. Drain 3. Source

BV_{DSS} : 700V

I_D : 12A

$R_{DS(ON)}$: 0.75Ω



General Description

This power MOSFET is produced with advanced technology of SAMWIN. This technology enable the power MOSFET to have better characteristics, including fast switching time, low on resistance, low gate charge and especially excellent avalanche characteristics.

Order Codes

Item	Sales Type	Marking	Package	Packaging
1	SW F 12N70D	SW12N70D	TO-220F	TUBE
2	SW U 12N70D	SW12N70D	TO-262	TUBE
3	SW MN 12N70D	SW12N70D	TO-220SF	TUBE
4	SW Y 12N70D	SW12N70D	TO-220FT	TUBE

Absolute maximum ratings

Symbol	Parameter	Value			Unit
		TO-220F	TO-262	TO-220SF /TO-220FT	
V_{DSS}	Drain to source voltage	700			V
I_D	Continuous drain current (@ $T_C=25^\circ C$)	12*			A
	Continuous drain current (@ $T_C=100^\circ C$)	7.6*			A
I_{DM}	Drain current pulsed (note 1)	48			A
V_{GS}	Gate to source voltage	±30			V
E_{AS}	Single pulsed avalanche energy (note 2)	608			mJ
E_{AR}	Repetitive avalanche energy (note 1)	36			mJ
dv/dt	Peak diode recovery dv/dt (note 3)	5			V/ns
P_D	Total power dissipation (@ $T_C=25^\circ C$)	26.1	89.3	37.9	W
	Derating factor above 25°C	0.2	0.7	0.3	W/°C
T_{STG}, T_J	Operating junction temperature & storage temperature	-55 ~ + 150			°C
T_L	Maximum lead temperature for soldering purpose, 1/8 from case for 5 seconds.	300			°C

*. Drain current is limited by junction temperature.

Thermal characteristics

Symbol	Parameter	Value			Unit
		TO-220F	TO-262	TO-220SF /TO-220FT	
R_{thjc}	Thermal resistance, Junction to case	4.7	1.4	3.3	°C/W
R_{thja}	Thermal resistance, Junction to ambient	48	67	49	°C/W

Electrical characteristic ($T_C = 25^\circ\text{C}$ unless otherwise specified)

Symbol	Parameter	Test conditions	Min.	Typ.	Max.	Unit
Off characteristics						
BV_{DSS}	Drain to source breakdown voltage	$V_{GS}=0V, I_D=250\mu A$	700			V
$\Delta BV_{DSS} / \Delta T_J$	Breakdown voltage temperature coefficient	$I_D=250\mu A$, referenced to 25°C		0.55		V/ $^\circ\text{C}$
I_{DSS}	Drain to source leakage current	$V_{DS}=700V, V_{GS}=0V$			1	μA
		$V_{DS}=560V, T_C=125^\circ\text{C}$			50	μA
I_{GSS}	Gate to source leakage current, forward	$V_{GS}=30V, V_{DS}=0V$			100	nA
	Gate to source leakage current, reverse	$V_{GS}=-30V, V_{DS}=0V$			-100	nA
On characteristics						
$V_{GS(TH)}$	Gate threshold voltage	$V_{DS}=V_{GS}, I_D=250\mu A$	2.5		4.5	V
$R_{DS(ON)}$	Drain to source on state resistance	$V_{GS}=10V, I_D=6A$		0.75	0.87	Ω
G_{fs}	Forward transconductance	$V_{DS}=30V, I_D=6A$		11		S
Dynamic characteristics						
C_{iss}	Input capacitance	$V_{GS}=0V, V_{DS}=25V, f=1\text{MHz}$		2450		pF
C_{oss}	Output capacitance			154		
C_{rss}	Reverse transfer capacitance			25		
$t_{d(on)}$	Turn on delay time	$V_{DS}=350V, I_D=12A, R_G=25\Omega, V_{GS}=10V$ (note 4,5)		26		ns
t_r	Rising time			43		
$t_{d(off)}$	Turn off delay time			107		
t_f	Fall time			43		
Q_g	Total gate charge	$V_{DS}=560V, V_{GS}=10V, I_D=12A$ (note 4,5)		47		nC
Q_{gs}	Gate-source charge			11		
Q_{gd}	Gate-drain charge			20		
R_g	Gate resistance	$V_{DS}=0V$, Scan F mode		1.8		Ω

Source to drain diode ratings characteristics

Symbol	Parameter	Test conditions	Min.	Typ.	Max.	Unit
I_S	Continuous source current	Integral reverse p-n Junction diode in the MOSFET			12	A
I_{SM}	Pulsed source current				48	A
V_{SD}	Diode forward voltage drop.	$I_S=12A, V_{GS}=0V$			1.4	V
t_{rr}	Reverse recovery time	$I_S=12A, V_{GS}=0V,$ $di_f/dt=100A/\mu s$		415		ns
Q_{rr}	Reverse recovery charge				5.8	μC

※. Notes

1. Repeitative rating : pulse width limited by junction temperature.
2. $L = 19\text{mH}, I_{AS} = 8A, V_{DD} = 50V, R_G=25\Omega$, Starting $T_J = 25^\circ\text{C}$
3. $I_{SD} \leq 12A, di/dt = 100A/\mu s, V_{DD} \leq BV_{DSS}$, Starting $T_J = 25^\circ\text{C}$
4. Pulse Test : Pulse Width $\leq 300\mu s$, duty cycle $\leq 2\%$
5. Essentially independent of operating temperature.

Fig. 1. On-state characteristics

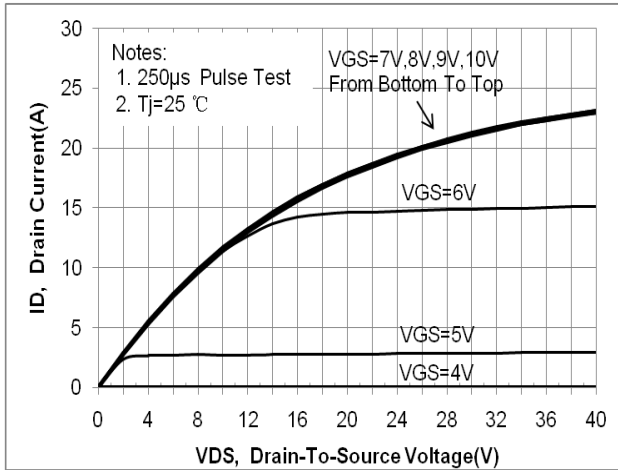


Fig. 2. Transfer characteristics

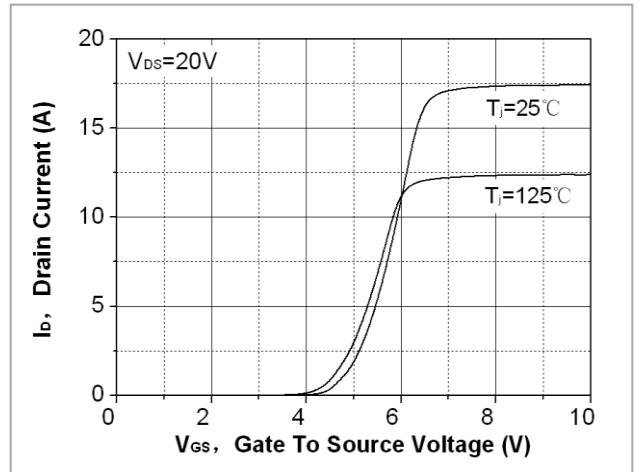


Fig. 3. On-resistance variation vs. drain current and gate voltage

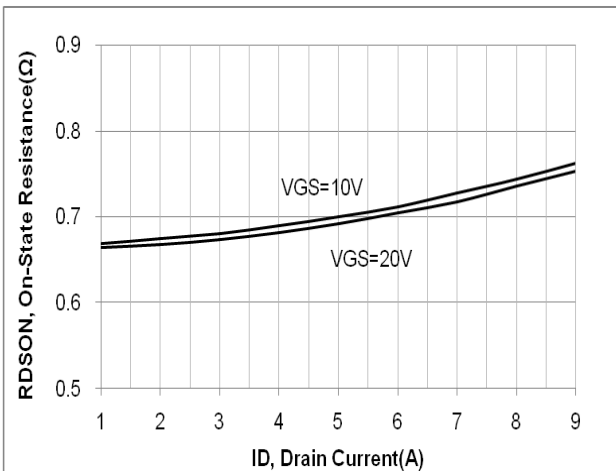


Fig. 4. On state current vs. diode forward voltage

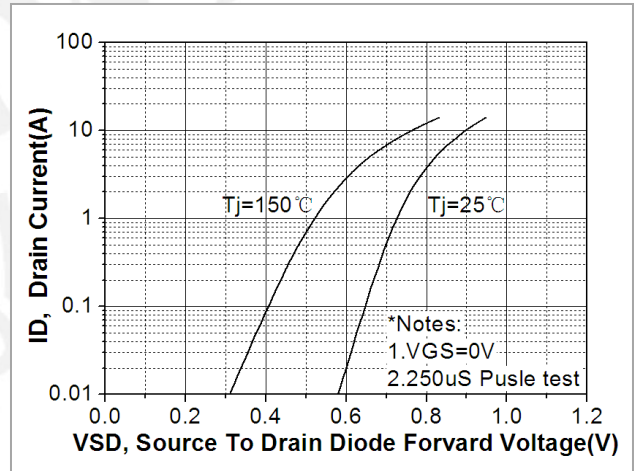


Fig 5. Breakdown Voltage Variation vs. Junction Temperature

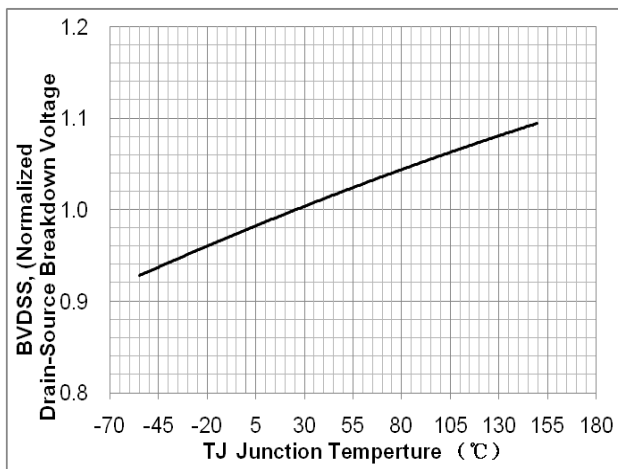


Fig. 6. On resistance variation vs. junction temperature

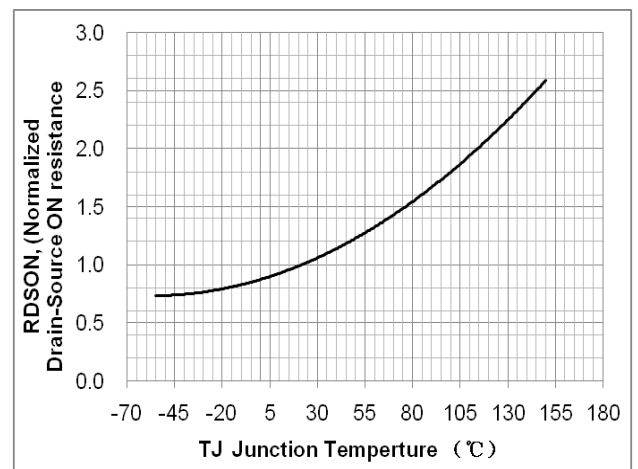


Fig. 7. Maximum safe operating area (TO-220F)

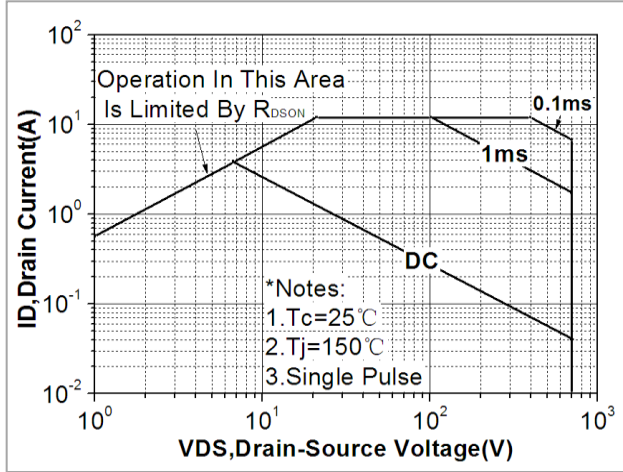


Fig. 8. Maximum safe operating area (TO-262)

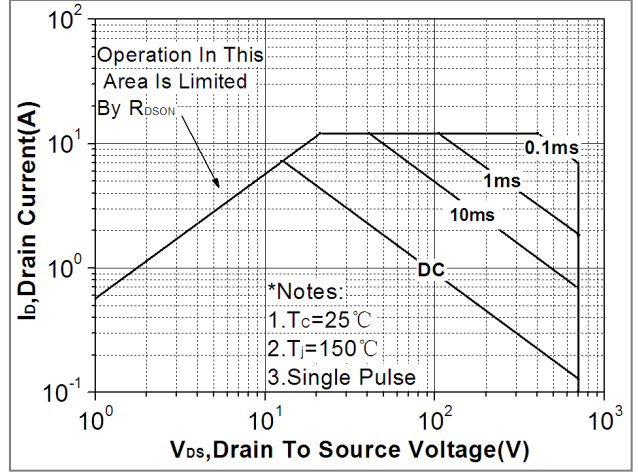


Fig. 9. Maximum safe operating area (TO-220SF/TO-220FT)

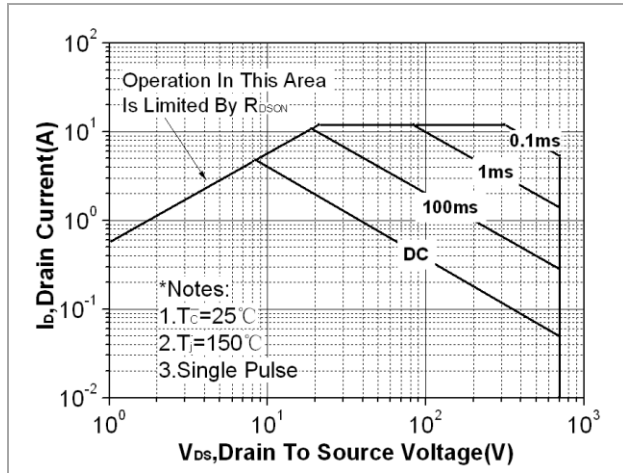


Fig. 10. Gate charge characteristics

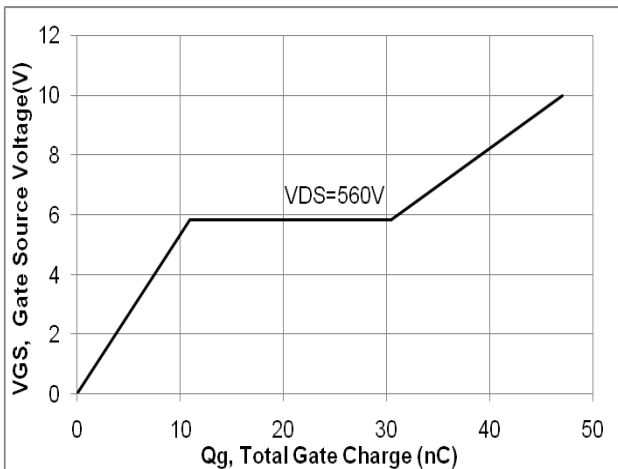


Fig. 11. Capacitance Characteristics

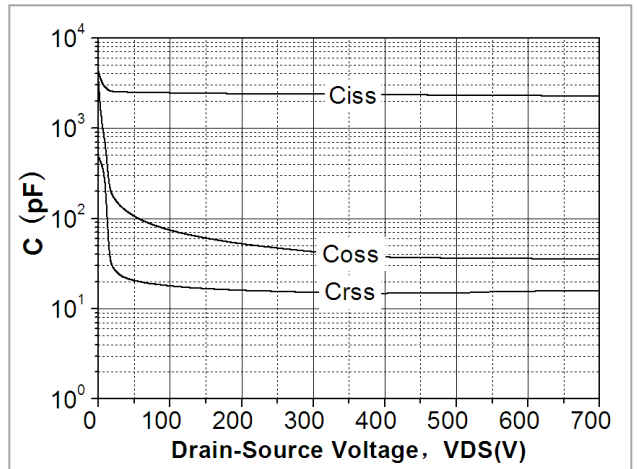


Fig. 12. Transient thermal response curve (TO-220F)

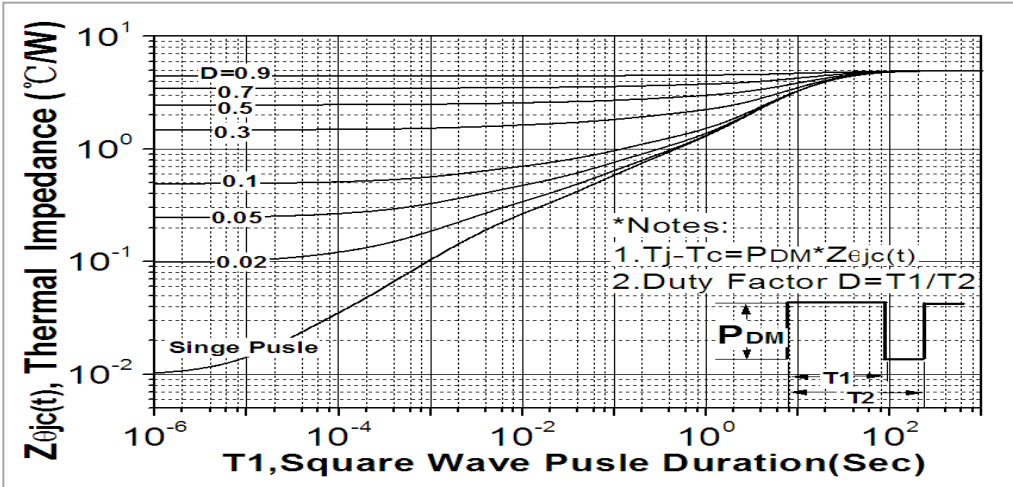


Fig. 13. Transient thermal response curve (TO-262)

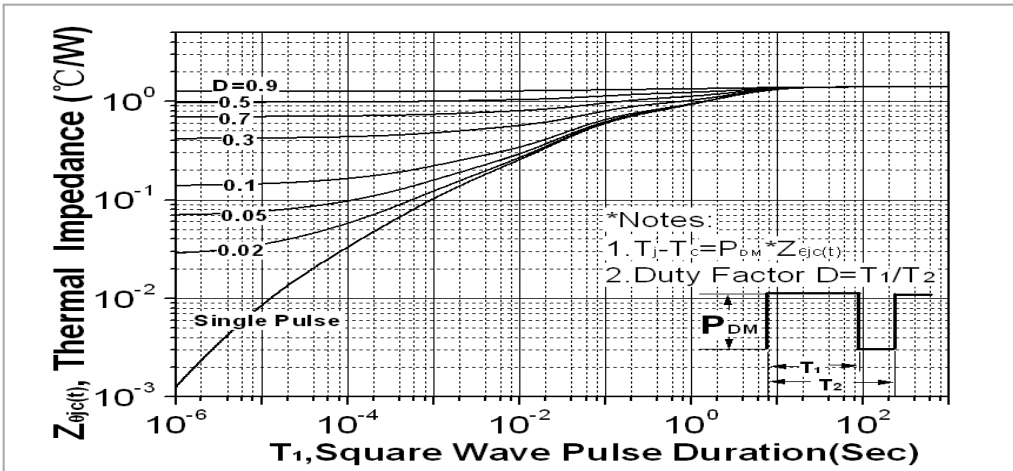


Fig. 14. Transient thermal response curve (TO-220SF/TO-220FT)

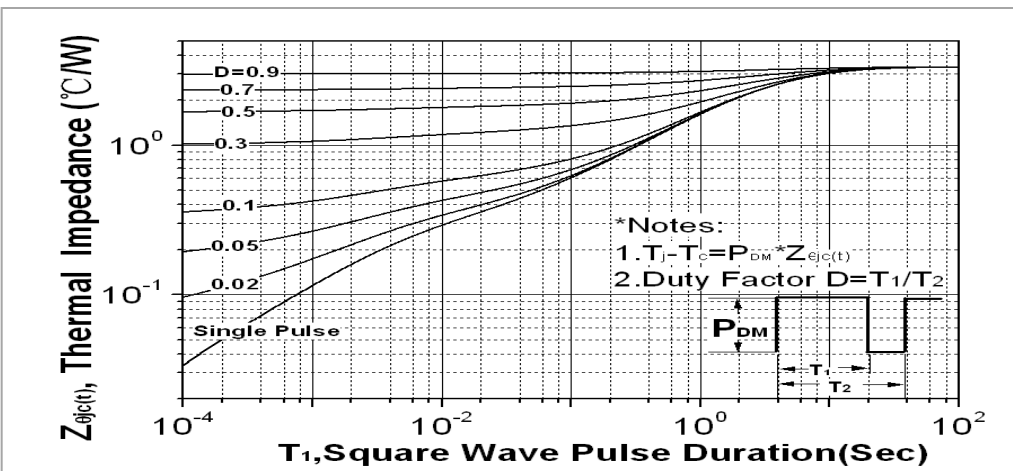


Fig. 15. Gate charge test circuit & waveform

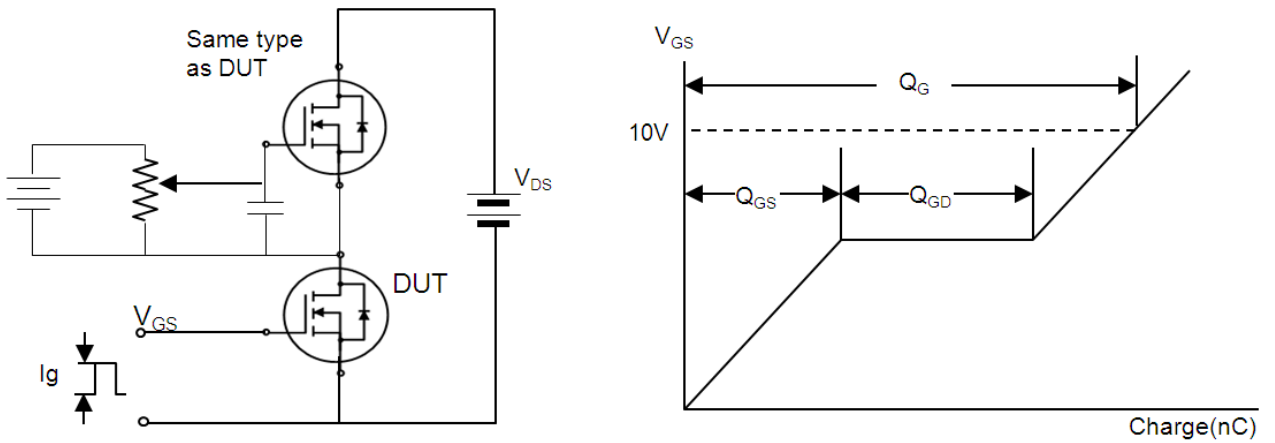


Fig. 16. Switching time test circuit & waveform

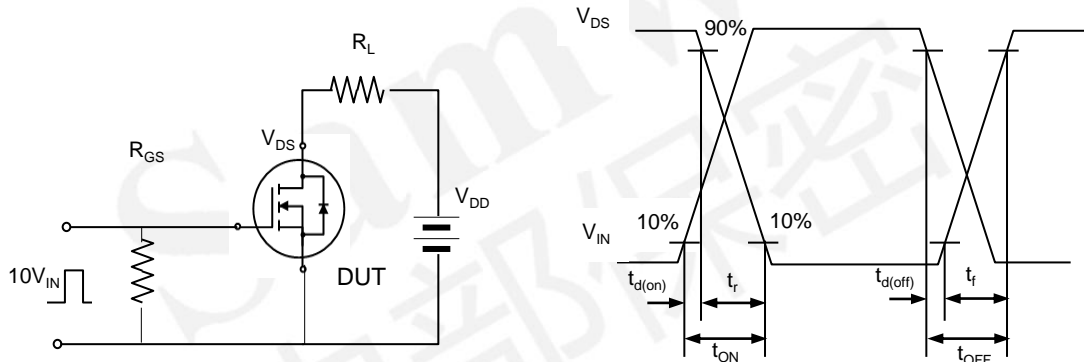


Fig. 17. Unclamped Inductive switching test circuit & waveform

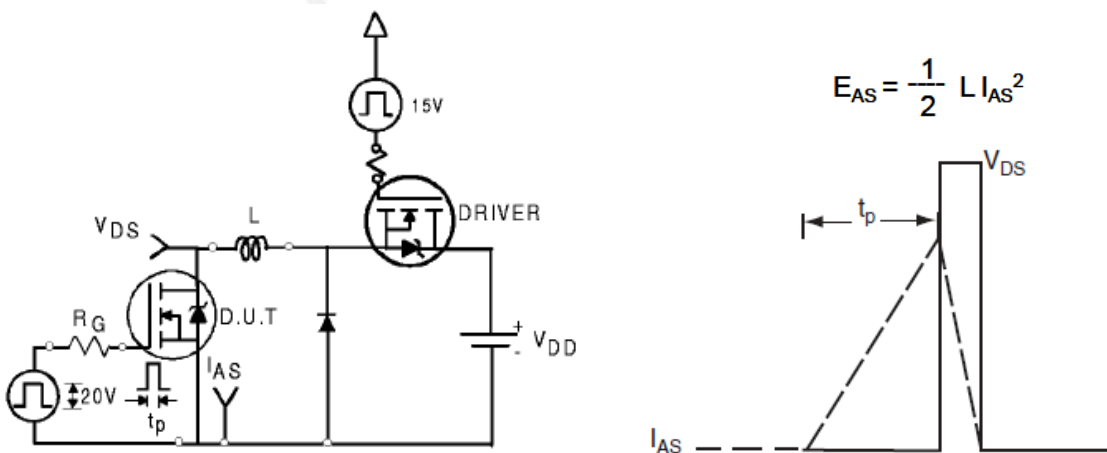
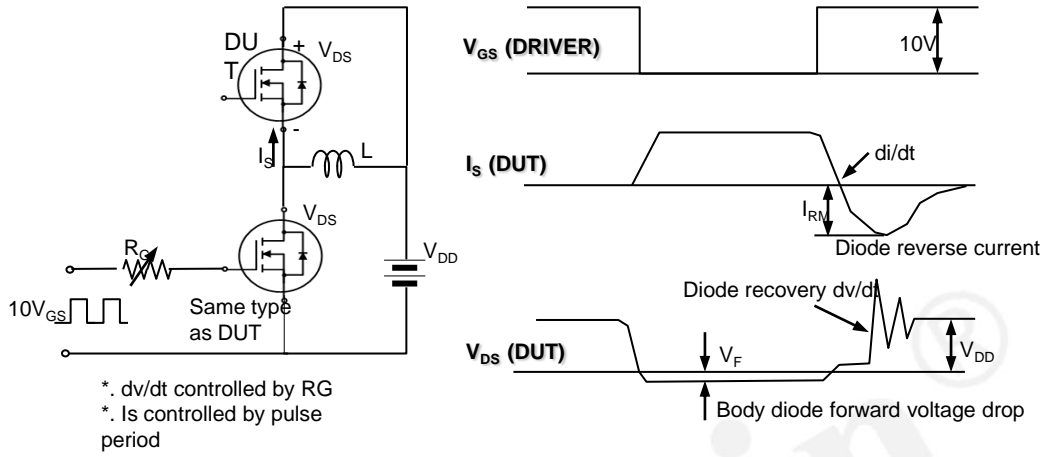


Fig. 18. Peak diode recovery dv/dt test circuit & waveform



DISCLAIMER

* All the data & curve in this document was tested in XI' AN SEMIPOWER TESTING & APPLICATION CENTER.

* This product has passed the PCT,TC,HTRB,HTGB,HAST,PC and Solderdunk reliability test 

* Qualification standards can also be found on the Web site (<http://www.semipower.com.cn>)

* Suggestions for improvement are appreciated, Please send your suggestions to samwin@samwinsemi.com