



Features

- ESD Protect for 1 Line with Bi-directional
- Provide ESD protection for the protected line to
IEC 61000-4-2 (ESD) $\pm 15\text{kV}$ (air/contact)
IEC 61000-4-4 (EFT) 50A (5/50ns)
IEC 61000-4-5 (Lightning) 5A (8/20 μs)
Cable Discharge Event (CDE)
- **0402 small DFN package** saves board space
- Protect one I/O line or one power line
- Fast turn-on and Low clamping voltage
- For low operating voltage applications: 3.3V maximum
- Solid-state silicon-avalanche and active circuit triggering technology
- Green part

Applications

- Mobile Phones
- Hand Held Portable Applications
- Computer Interfaces Protection
- Microprocessors Protection
- Serial and Parallel Ports Protection
- Control Signal Lines Protection
- Power lines on PCB Protection
- Latchup Protection

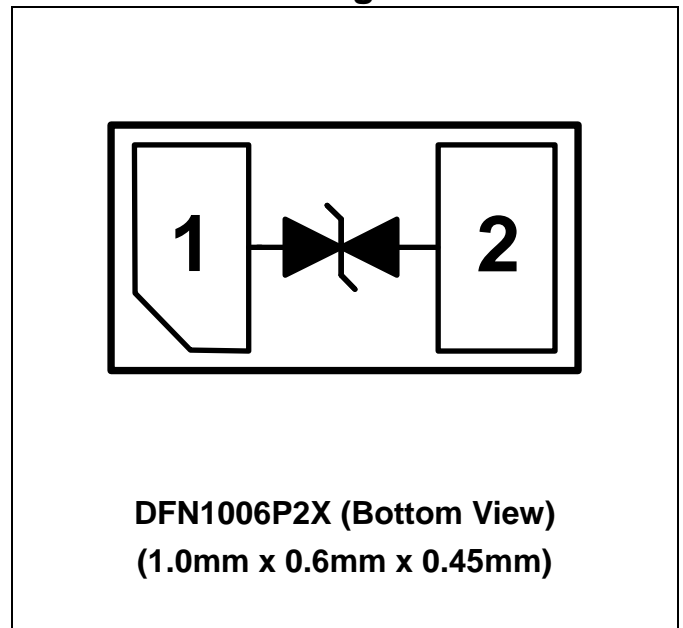
Description

AZ5123-01F is a design which includes one Bi-directional surge rated clamping cell to protect one power line, or one control line, or one low speed data line in an electronic systems. The AZ5123-01F has been specifically designed to protect sensitive components which are connected to power and control lines from over-voltage damage and latch-up caused by Electrostatic Discharging (ESD), Electrical Fast Transients (EFT), Lightning, and Cable Discharge Event (CDE).

AZ5123-01F is a unique design which includes proprietary clamping cell in a single package. During transient conditions, the proprietary clamping cell prevents over-voltage on the power line or control/data lines, protecting any downstream components.

AZ5123-01F may be used to meet the ESD immunity requirements of IEC 61000-4-2, Level 4 ($\pm 15\text{kV}$ air, $\pm 8\text{kV}$ contact discharge)

Circuit Diagram / Pin Configuration





SPECIFICATIONS

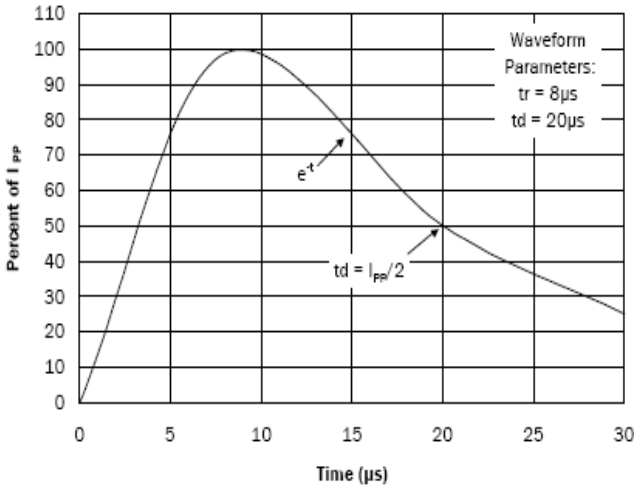
ABSOLUTE MAXIMUM RATINGS			
PARAMETER	PARAMETER	RATING	UNITS
Peak Pulse Current (tp =8/20us)	I _{PP}	5	A
Operating Supply Voltage	V _{DC}	±3.6	V
ESD per IEC 61000-4-2 (Air)	V _{ESD}	±15	kV
ESD per IEC 61000-4-2 (Contact)		±15	
Lead Soldering Temperature	T _{SOL}	260 (10 sec.)	°C
Operating Temperature	T _{OP}	-55 to +85	°C
Storage Temperature	T _{STO}	-55 to +150	°C

ELECTRICAL CHARACTERISTICS						
PARAMETER	SYMBOL	CONDITIONS	MINI	TYP	MAX	UNITS
Stand-Off Voltage	V _{RVM}	T=25 °C.	-3.3		3.3	V
Leakage Current	I _{Leak}	V _{RVM} = ±3.3V, T=25 °C.			1.0	μA
Breakdown Voltage	V _{BV}	I _{BV} = 1mA, T=25 °C.	4		6.5	V
Surge Clamping Voltage	V _{surge_CL}	I _{PP} =5A, tp=8/20μs, T=25 °C.		6.5	8	V
ESD Clamping Voltage	V _{ESD_CL}	IEC 61000-4-2 +6kV, T=25 °C, Contact mode.		7		V
Channel Input Capacitance	C _{IN}	V _R = 0V, f = 1MHz, T=25 °C.		13.5	16.5	pF

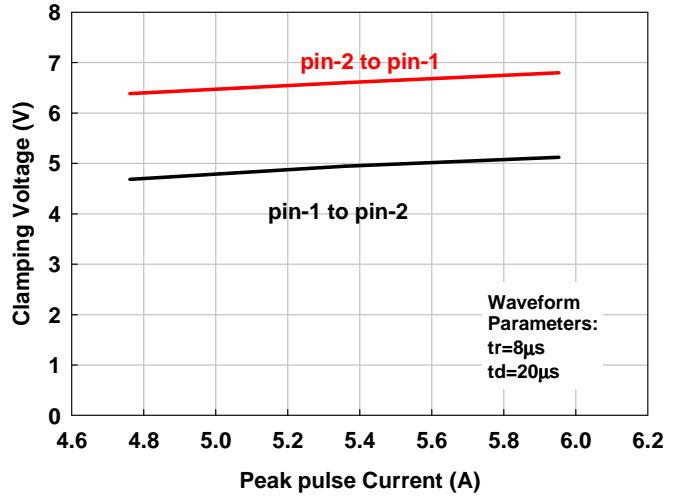


Typical Characteristics

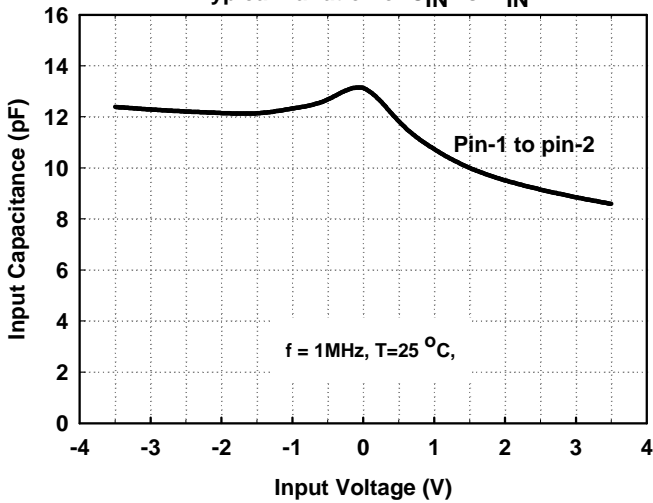
Pulse Waveform



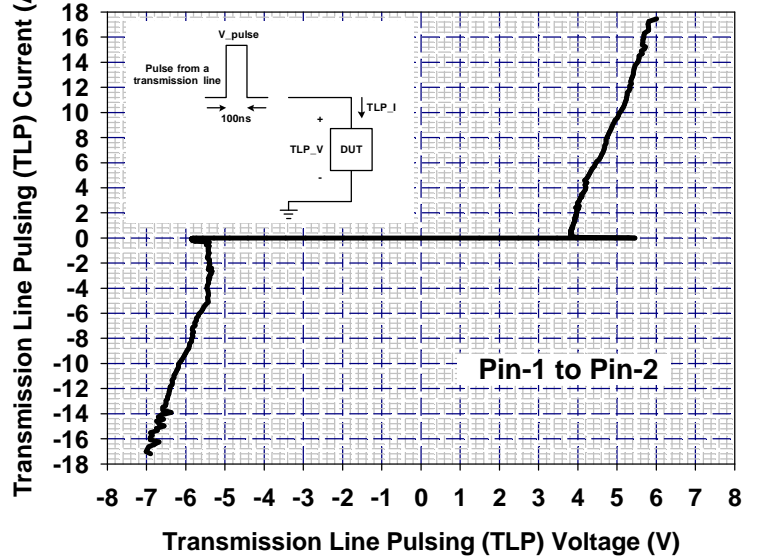
Clamping Voltage vs. Peak Pulse Current



Typical Variation of C_{IN} vs. V_{IN}



Transmission Line Pulsing (TLP) Measurement





Applications Information

The AZ5123-01F is designed to protect one line against System ESD/EFT/Lightning pulses by clamping it to an acceptable reference. It provides bi-directional protection.

The usage of the AZ5123-01F is shown in Fig. 1. Protected line, such as data line, control line, or power line, is connected at pin 1. The pin 2 is connected to a ground plane on the board. In order to minimize parasitic inductance in the board traces, all path lengths connected to the pins of AZ5123-01F should be kept as short as possible.

In order to obtain enough suppression of ESD induced transient, good circuit board is critical. Thus, the following guidelines are recommended:

- Minimize the path length between the protected lines and the AZ5123-01F.
- Place the AZ5123-01F near the input terminals or connectors to restrict transient coupling.
- The ESD current return path to ground should be kept as short as possible.
- Use ground planes whenever possible.
- NEVER route critical signals near board edges and near the lines which the ESD transient easily injects to.

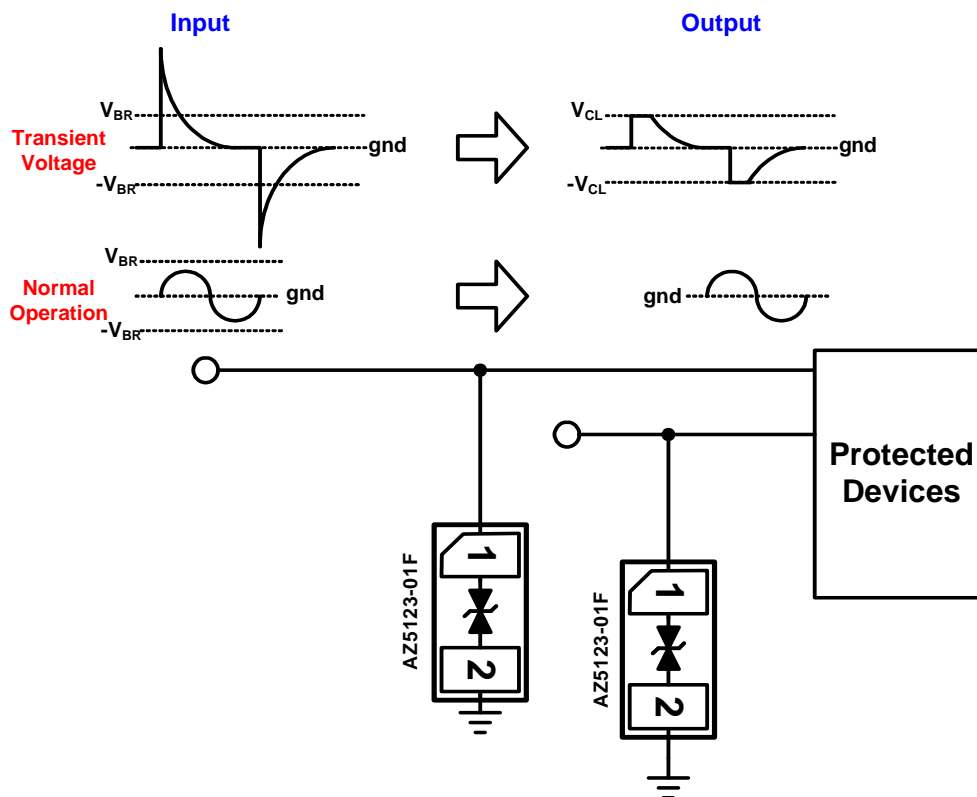


Fig. 1



Fig. 2 shows another simplified example of using AZ5123-01F to protect the control line, low speed data line, and power line from ESD transient stress.

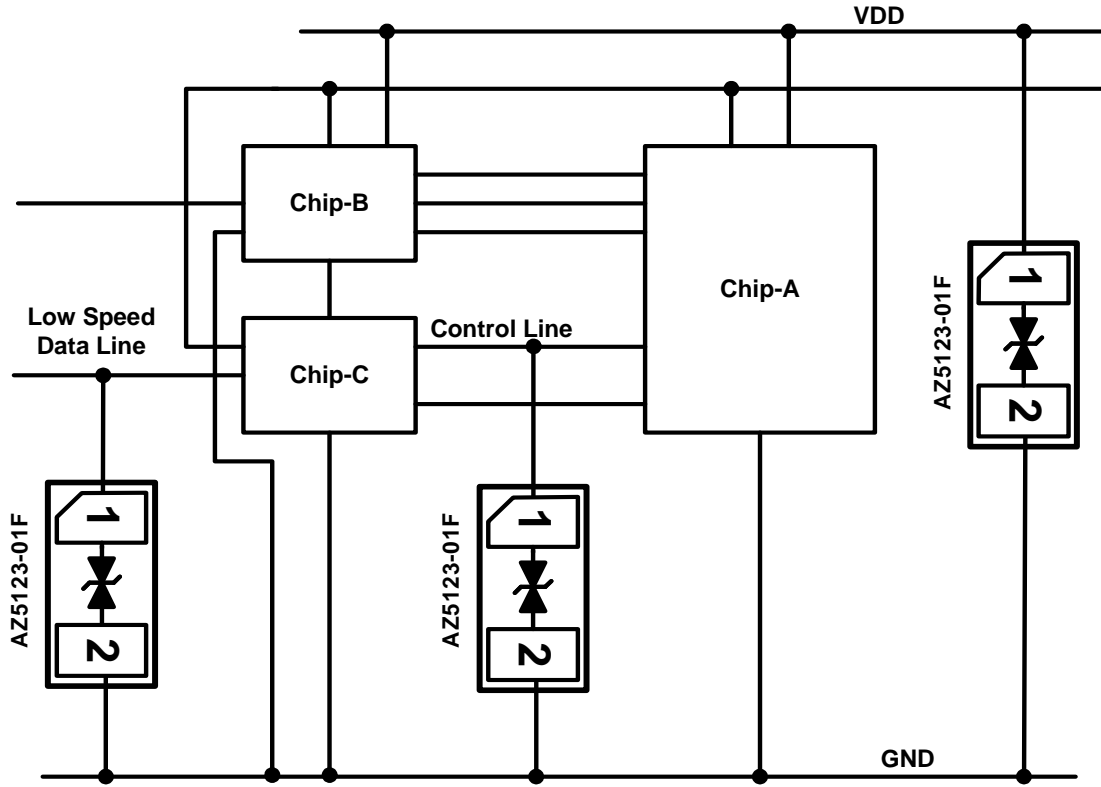
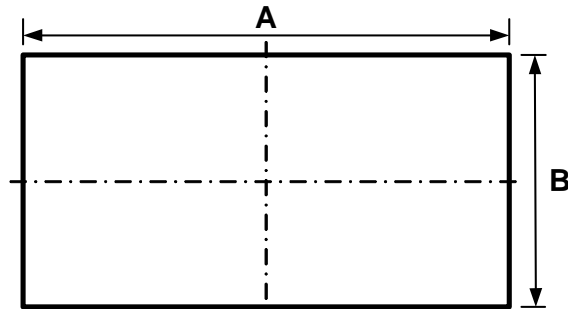


Fig. 2



Mechanical Details

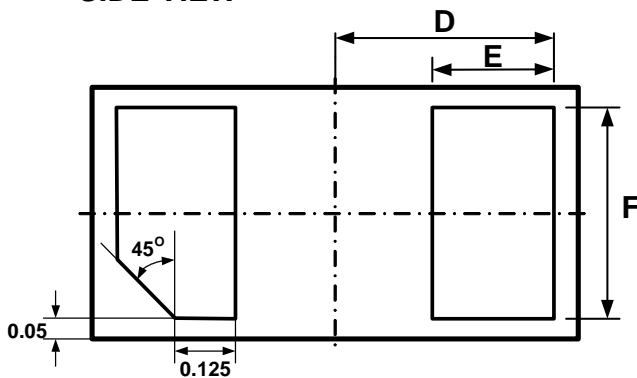
DFN1006P2X PACKAGE DIAGRAMS



TOP VIEW



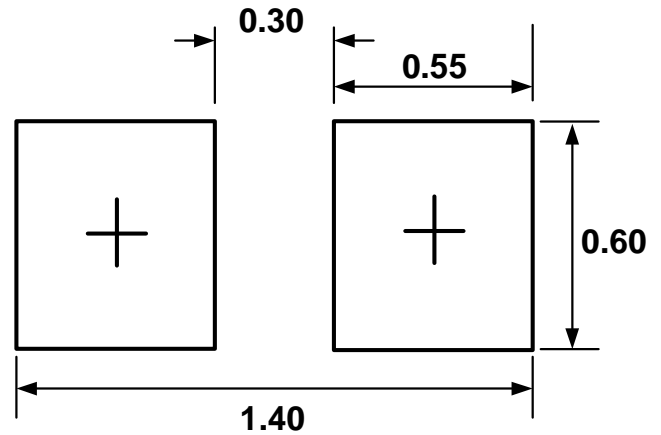
SIDE VIEW



BOTTOM VIEW

Symbol	Millimeters		Inches	
	min	max	min	max
A	0.95	1.05	0.037	0.041
B	0.55	0.65	0.022	0.026
C	0.41	0.50	0.016	0.020
D	0.45		0.018	
E	0.20	0.30	0.008	0.012
F	0.45	0.55	0.018	0.022

LAND LAYOUT

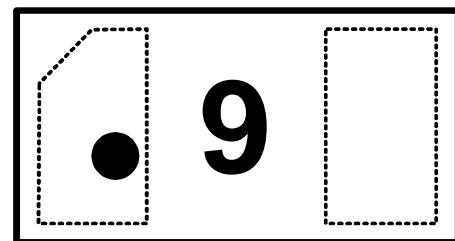


(Unit: mm)

Notes:

This LAND LAYOUT is for reference purposes only. Please consult your manufacturing partners to ensure your company's PCB design guidelines are met.

MARKING CODE



Top View

Part Number	Marking Code
AZ5123-01F	9



Ordering Information

PN#	Material	Type	Reel size	MOQ	MOQ/internal box	MOQ/carton
AZ5123-01F.R7G	Green	T/R	7 inch	12,000/reel	4 reel= 48,000/box	6 box =288,000/carton

Revision History

Revision	Modification Description
Revision 2011/11/09	Formal Release.
Revision 2012/01/18	Add the Ordering Information.