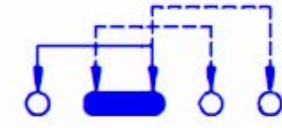
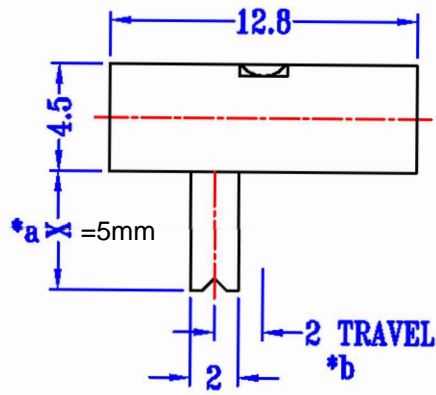
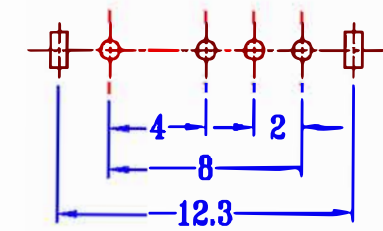
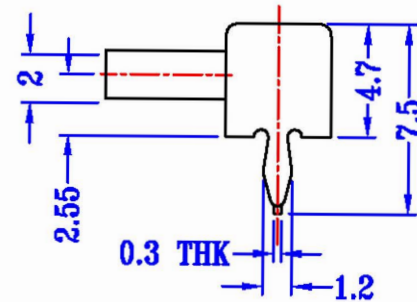
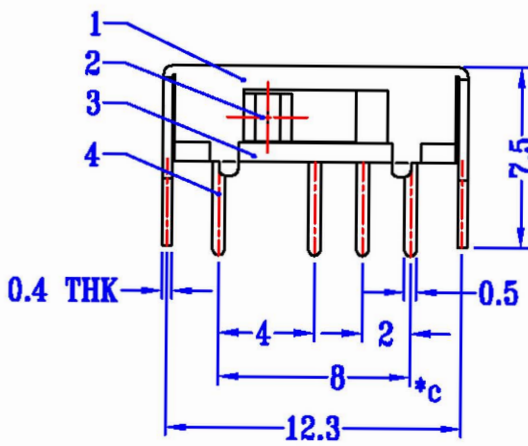




CAD FILE:



SCHEMATIC (SHORTING)



P.C.B LAYOUT
BOTTOM VIEW

注：“*”表示关键尺寸（3个）。

8									
7									
6									
5	CONTACT CLIP	PBS STRIP	1	Ag PLATED	WITHIN 1.5mm : ±0.1mm	A	09-Jul-2012	初版	
4	TERMINAL	BRASS STRIP	4	Ag PLATED OVER Ni PLATED	OVER 1.5mm : ±0.2mm	ISSUE	DATE	DESCRIPTIONS OF REVISION	
3	BASE	PHENOLIC RESIN	1	NATURAL	TITLE : HORIZONTAL SLIDE SWITCH			UNIT : mm	DRWG NO.: HR-DR-SK13D07V-00
2	KNOB	POM	1	BLACK	MODEL:			SCALE: 3:1	DWN. Lucas 09-Jul-2012
1	FRAME	STEEL STRIP	1	Ni PLATED				CHK'D	
NO.	PARTS	MATERIALS	Q'TY	FINISH	APPD.				
深圳市首韩科技有限公司									