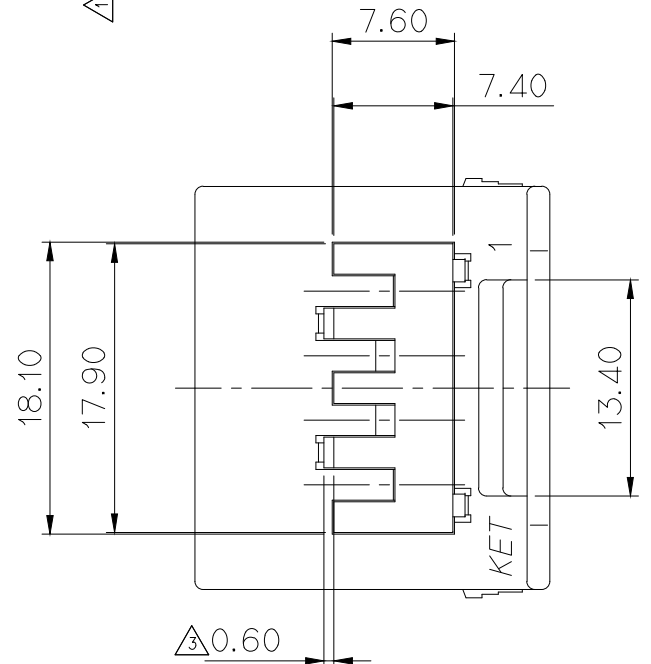
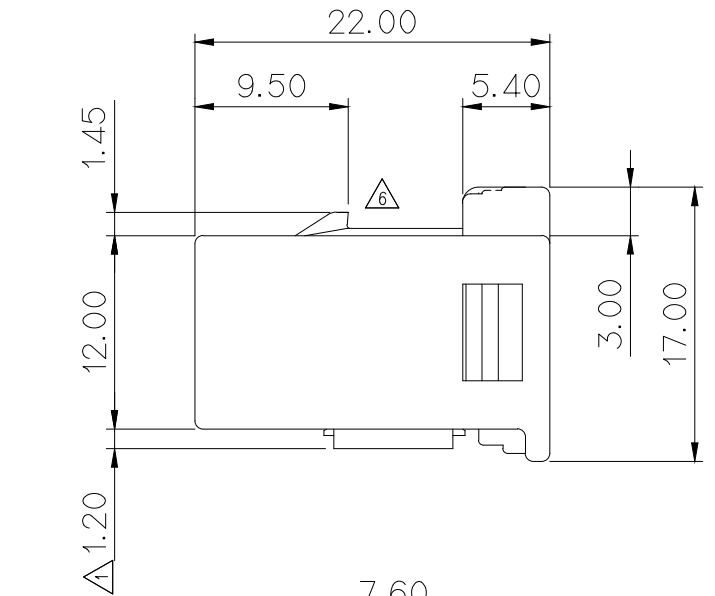
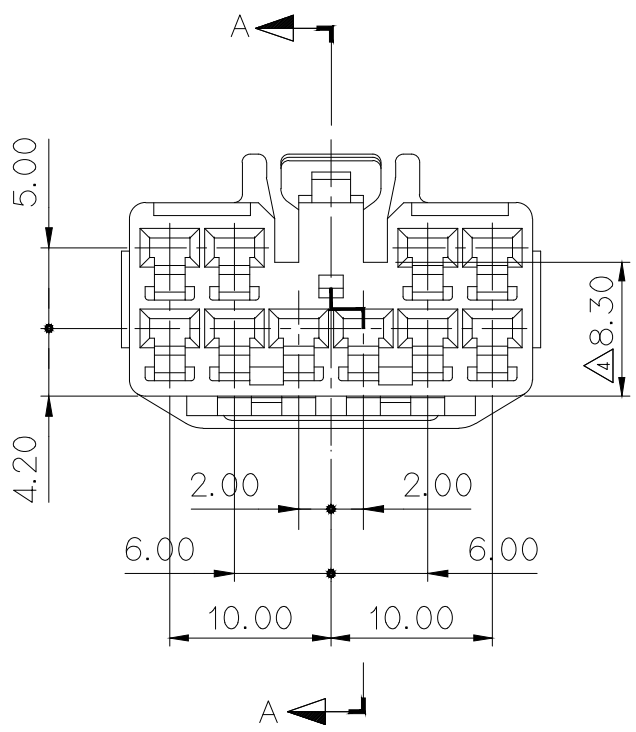
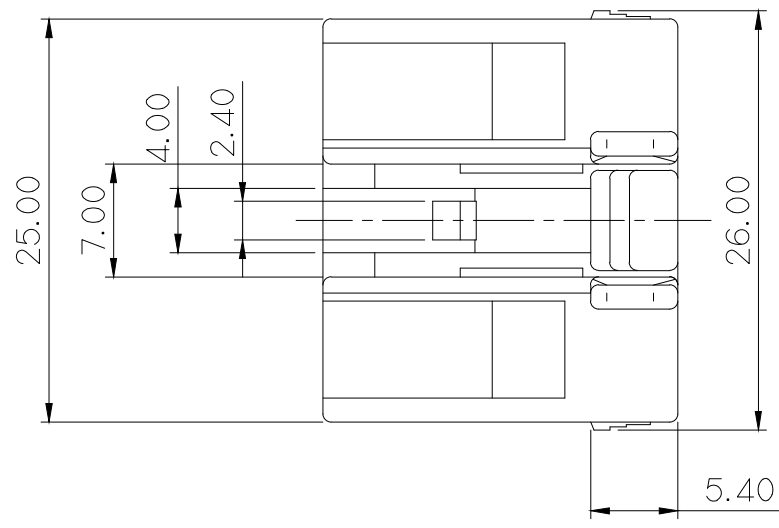
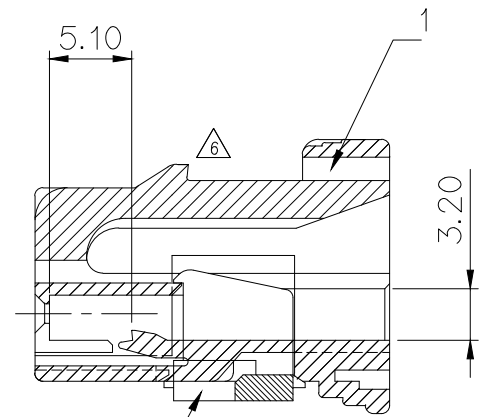


PART NO. MG651056
 △MG655680 △MG655681

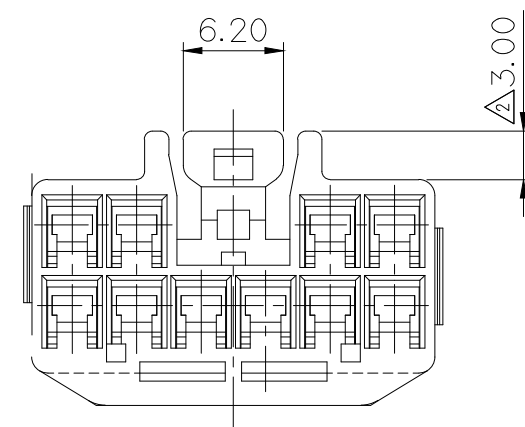
CUSTOMER DRAWING

| NO. | PART NO. | PART NAME | MATERIAL | FINISH |
|-----|----------|--------------------|-----------|-----------|
| 1 | MG671054 | 090 II 10F HOUSING | SEE TABLE | SEE TABLE |
| 2 | MG671055 | 090 II 10F SPACER | | NATURAL |

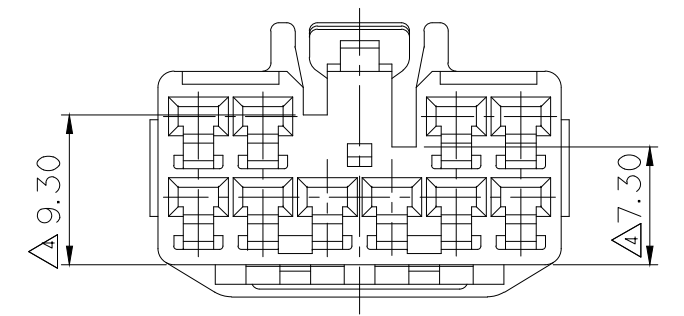
| GENERAL TOLERANCE (HOUSING) | | | | | | | USED ON |
|-----------------------------|-------|--------|--------|-------|-------|--------|---------|
| 10MAX | 50MAX | 100MAX | 250MAX | 250VR | ANGLE | ECCENT | |
| ±0.2 | ±0.3 | ±0.55 | ±0.95 | ±1.4 | ±30' | 0.1 | |



| NO. | MATERIAL | COLOR |
|-----|-------------|------------|
| * 0 | P B T | NATURAL |
| * 1 | | RED |
| 2 | | BLUE |
| 20 | | JADE |
| 3 | | YELLOW |
| 4 | | GRAY |
| 40 | | DARK GRAY |
| 41 | | LIGHT GRAY |
| 5 | | BLACK |
| 6 | | DARK GREEN |
| * 7 | | BROWN |
| 8 | LIGHT GREEN | |
| 9 | MAGENTA | |
| 11 | ORANGE | |

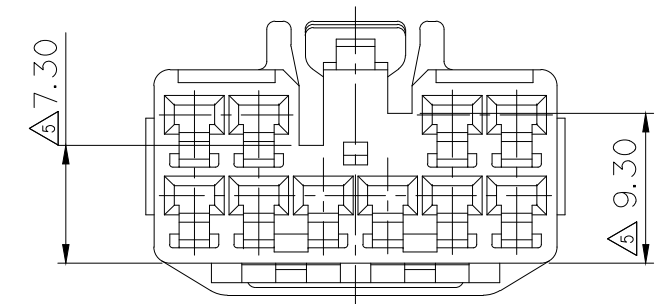


△* 090II 10F ASSY(B) / MG655680



| PART NAME | PART NO. | COLOR |
|----------------------|----------|-------|
| 090II 10F HOUSING(B) | MG675809 | BROWN |

△* 090II 10F ASSY(C) / MG655681



| PART NAME | PART NO. | COLOR |
|----------------------|----------|-------|
| 090II 10F HOUSING(C) | MG675817 | RED |

NOTE

- 제품기능상 유해한 BURR, 변형 및 WELDLINE 등이 없을것.
- 적용 TERMINAL: ST730675, 676, 677, 731100
- MG651056 적용 HOUSING: MG641059, 642108
 MG655680 적용 HOUSING: MG645733
 MG655681 적용 HOUSING: MG645736
- SPACER는 본 도면과 같이 1차 LOCK'G 상태로 유지,공급할것.
- 제품내 함유된 6대 유해물질 (납,수은,카드뮴,6가크롬, PBBs,PBDEs)은 EU ELV 지침 및 RoHS 법규에서 지정한 최대 허용 농도를 초과해서는 안된다.

REVIEW

2018-12-10

KOREA ELECTRIC
 TERMINAL CO., LTD.
 Product Development Team 1

ISSUE MARK

| | | | | | | | |
|-----------------|-----------|------|------|------------|------------|---------------------------|---|
| ECO-1205-119 | 근거 도면 재작성 | CJH | | '12.05.16 | MATERIAL | SEE TABLE | |
| ECO-1204-091 | 근거 도면 재작성 | YSW | | '12.04.25 | FINISH | SEE TABLE | |
| 설계사양변경(S060072) | 근거 재작성 | LDG | | 2006.03.02 | WIRE RANGE | CLASS | .090 II |
| 시방변경(990102) | 근거 수정 | WON | | '99.06.26 | INSULATION | TYPE | 7283-1100 |
| 치수변경(1곳) | | WON | | '98.01.12 | LTR | REVISION RECORD | |
| ECO-1305-040 | 근거 도면 재작성 | YM.K | CSH | HSH | '13.05.08 | DR. | YUN 97.03.10 |
| | | DR. | CHK. | APP. | DATE | CHK. | S.I. SAK 3.13 |
| | | | | | | APP. | Watanabe 3.13 |
| | | | | | | TOLERANCE EXCEPT AS NOTED | SCALE 2/1 |
| | | | | | | PART NAME | 090 II 10F HOUSING ASSY |
| | | | | | | | △MG655680 △MG655681 |
| | | | | | | | △090 II 10F HOUSING ASSY(B) △090 II 10F HOUSING ASSY(C) |

(DIMENSIONS IN MM)