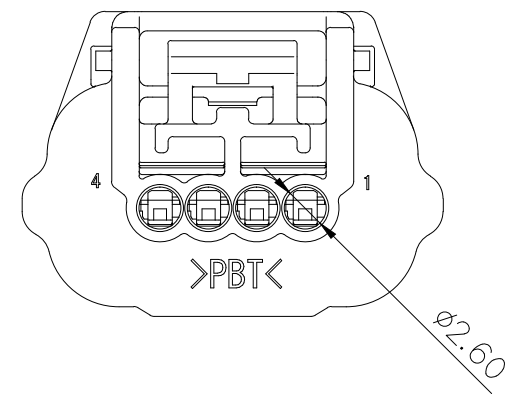
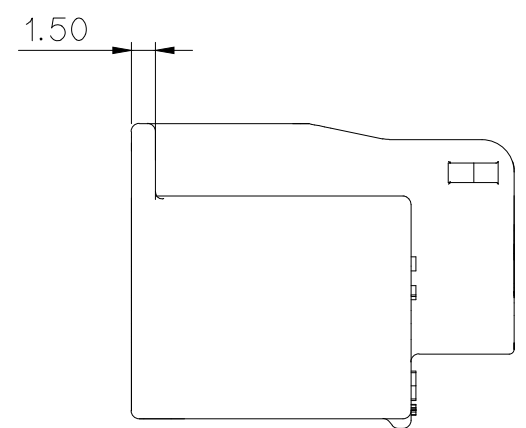
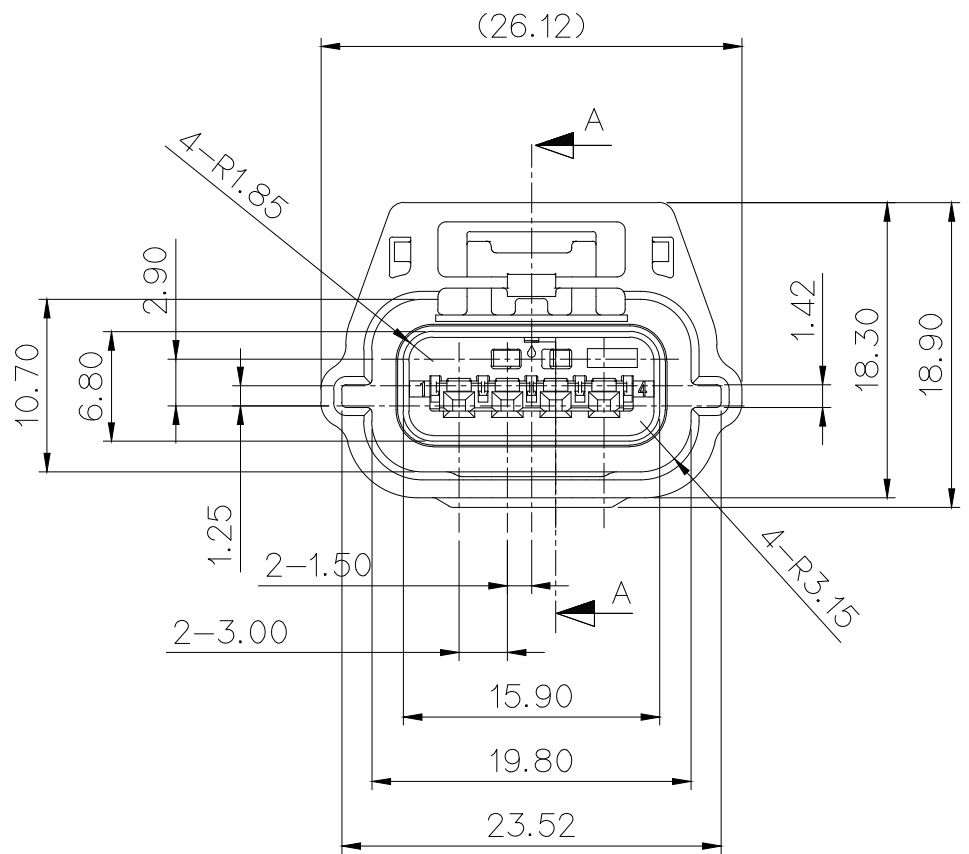


SECTION A-A



GENERAL TOLERANCE (HOUSING)							USED ON
10 MAX	50 MAX	100 MAX	250 MAX	250 VR	ANGLE	ECCENT	
±0.2	±0.3	±0.55	±0.95	±1.4	±30'	0.1	

NO.	PART NO.	PART NAME	MATERIAL	COLOR	QTY.
①	MG673279	RH 4P FEMALE HS'G	PBT	BLACK	1
②	MG673280	RH 4P FEMALE HS'G F/HOLDER	PBT	NATURAL	1
③	P901894	RH 4P FEMALE I/SEAL	SILICONE	RED	1

주 기

- 기능상 유해한 BURR 및 미성형이 없을것.
- 적용 TERMINAL NO. : ST730962/963

NOTE

- MUST BE FREE OF FLASH, SINK AND IMPERFECTION THAT AFFECT FUNCTION.
- APPLICABLE TERMINAL NO. : ST730962/963



ISSUE MARK

					MATERIAL	SEE TABLE	KOREA ELECTRIC TERMINAL CO., LTD.	
					FINISH	SEE TABLE		
					WIRE RANGE		CLASS	
					INSULATION		TYPE 7283-8853-30	
LTR	REVISION RECORD	DR.	CHK.	APP.	DATE	TOLERANCE EXCEPT AS NOTED	SCALE 2/1	PART NO. MG643278
	DR. HEO S.H 04.8.23		CHK.			PART NAME	RH 4P FEMALE ASS'Y(RH04FB)	
	CHK. --- 8/23		APP.		8/23			