



ISO9001 ISO14001 IATF16949 CHILISIN ELECTRONICS CORP.

RoHS & Halogen Free & REACH Compliance.

## SPECIFICATION FOR APPROVAL

Customer : 各廠家

Customer P/N: \_\_\_\_\_

Drawing No : \_\_\_\_\_

Quantity : 0 Pcs. Date : 2019/02/22

Chilisin P/N : SSL0503HC-1R2M-N

SPECIFICATION ACCEPTED BY:	
COMPONENT ENGINEER	
ELECTRICAL ENGINEER	
MECHANICAL ENGINEER	
APPROVED	
REJECTED	

**奇力新電子股份有限公司**  
Chilisin Electronics Corp  
No. 29, Alley 301, Tehhsin Rd.,  
Hukou, Hsinchu 303, Taiwan  
TEL : +886-3- 599-2646  
FAX : +886-3- 599-9176  
E-mail : sales@chilisin.com  
http : //www.chilisin.com

**東莞奇力新電子(東莞廠)有限公司**  
Chilisin Electronics (Dongguan) Co., Ltd.  
No. 78, Puxing Rd., Yuliangwei Administration Area,  
Qingxi Town, Dongguan City, Guangdong, China  
TEL : +86-769-8773-0251~3  
FAX : +86-769-8773-0232  
E-mail : cect@chilisin.com

**奇力新電子(越南廠)有限公司**  
Chilisin Electronics (Vietnam) Limited  
No 143 - 145, Road No 10, VSIP Hai Phong,  
Lap Le Commune, Thuy Nguyen Dist,  
Haiphong City, Vietnam  
Tel : 84-316 255 688 Fax : 84-316 255  
689  
E-mail : sales@chilisin.com

**奇力新電子(湖南廠)有限公司**  
HuNan Chilisin Electronics Technology Co., Ltd  
No. 8, Shaziao Liangshuijing Town, Yuanling  
County, Huaihua City, Hunan Province 419601,  
China  
Tel : 86-745-867-5882  
E-mail : cect@chilisin.com

Drawn by  
陳瑞揚 ryan.chen

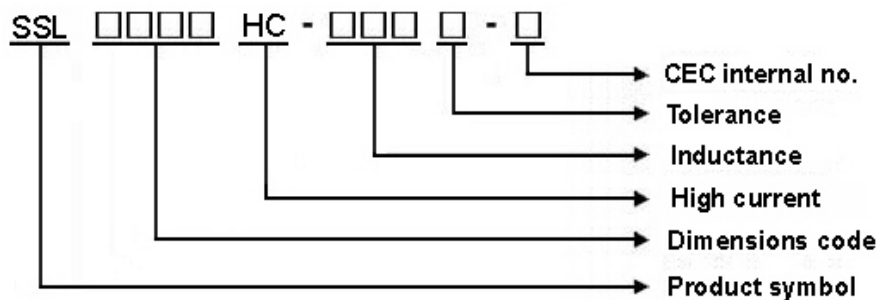
Checked by  
吳振賢 lcn07

Approved by  
陳瑞揚 ryan.chen

# SSL0503HC Series Specification

**1 Scope:** This specification applies to SMD Unshielded Power Choke

**2 Part Numbering:**

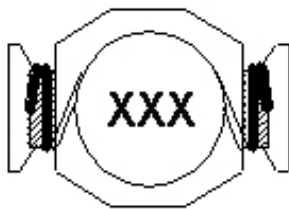


**3 Rating:**

Operating Temperature:  $-40^{\circ}\text{C} \sim 125^{\circ}\text{C}$  (Including self - temperature rise)

Storage Temperature:  $20^{\circ}\text{C} \sim 25^{\circ}\text{C}$  R.H. 65% (In Tape & Reel Condition)

**4 Marking:**



Ex : SSL0503HC-100M-N

Marking : 100

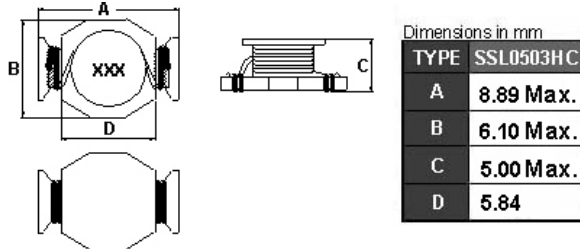
Marking color : White

**5 Standard Testing Condition**

	Unless otherwise specified	In case of doubt
Temperature	Ordinary Temperature(15 to 35°C)	20 to 30°C
Humidity	Ordinary Humidity(25 to 85% RH)	50 to 80 %RH

## SSL0503HC Series Specification

### 6 Configuration and Dimensions:



### 7 Electrical Characteristics:

Part No.	Inductance (uH)	Test Freq.	RDC (Ω)Max.	Isat (A)	Irms (A)	SRF (MHz)Typ.	Marking
SSL0503HC-R33□-N	0.33	100 kHz,0.25 V	0.007	8.2	7	330	R33
SSL0503HC-R56□-N	0.56	100 kHz,0.25 V	0.01	7.7	6	200	R56
SSL0503HC-1R0□-N	1	100 kHz,0.25 V	0.017	5.3	4.4	140	1R0
SSL0503HC-1R2□-N	1.2	100 kHz,0.25 V	0.017	5.3	4.4	140	1R2
SSL0503HC-1R6□-N	1.6	100 kHz,0.25 V	0.022	4.5	4	100	1R6
SSL0503HC-2R2□-N	2.2	100 kHz,0.25 V	0.035	3.5	3.1	100	2R2
SSL0503HC-4R7□-N	4.7	100 kHz,0.25 V	0.054	2.6	2.2	50	4R7
SSL0503HC-6R8□-N	6.8	100 kHz,0.25 V	0.07	2	1.8	45	6R8
SSL0503HC-100□-N	10	100 kHz,0.25 V	0.111	1.9	1.5	40	100
SSL0503HC-150□-N	15	100 kHz,0.25 V	0.17	1.5	1.2	30	150
SSL0503HC-220□-N	22	100 kHz,0.25 V	0.25	1.2	1	25	220
SSL0503HC-270□-N	27	100 kHz,0.25 V	0.32	1	0.85	20	270
SSL0503HC-330□-N	33	100 kHz,0.25 V	0.35	0.99	0.82	20	330
SSL0503HC-470□-N	47	100 kHz,0.25 V	0.47	0.87	0.72	15	470

**NOTE:** □-tolerance M=±20% / T=±30%

1. Operating temperature range - 40 °C ~ 125 °C (Including self - temperature rise)

2. Isat for Inductance drop 30% from its value without current.

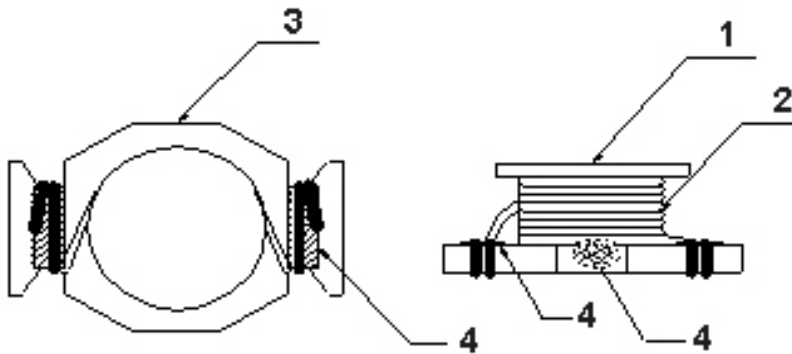
3. I rms for a 40 °C temperature rise from 25 °C ambient.

"-N" FOR COMPLETELY LEAD FREE TYPE (INCLUDING FERRITE BODY & SOLDER)

## SSL0503HC Series Specification

### 8 SSL0503HC Series

#### 8.1 Construction:



#### 8.2 Material List:

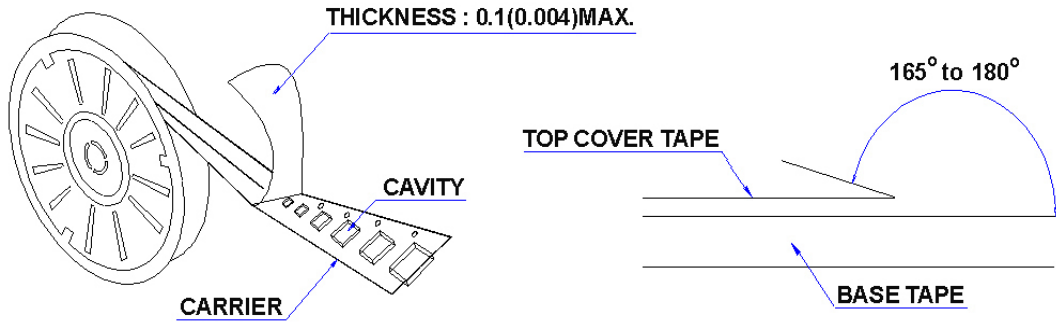
No	Part	Material
1	CORE	FERRITE
2	WIRE	COPPER WIRE
3	BASE	PM9630 PHENOLIC
4	EPOXY	AD3

# SSL0503HC Series Specification

## 9 Packaging:

### 9.1 Packaging -Cover Tape

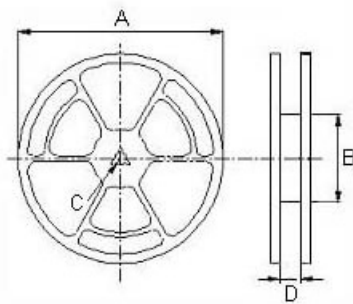
The force for tearing off cover tape is 10 to 130 grams in the arrow direction.



### 9.2 Packaging Quantity

TYPE	PCS/REEL
SSL0402	2500
SSL0804	750
SSL0810	225
SSL1306	350
SSL0503HC	1000
SSL0804HC	700

### 9.3 Reel Dimensions



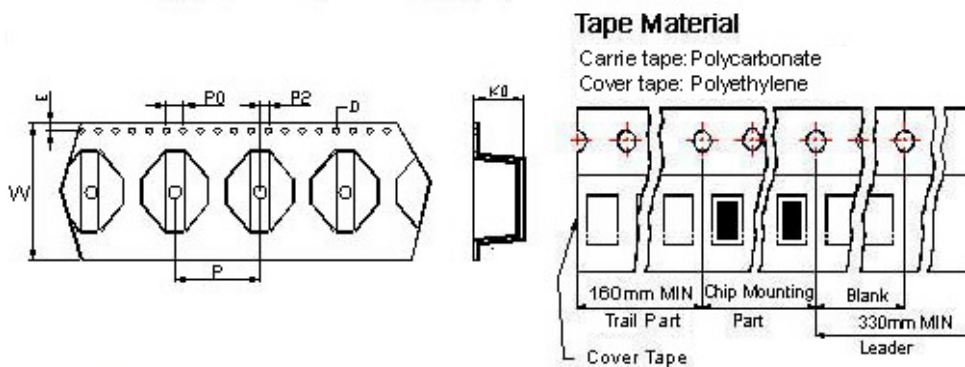
Dimensions in mm

TYPE	A	B	C	D
SSL0402	330	100	13	13.4
SSL0804	330	100	13	24.4
SSL0810	330	100	13	24.4
SSL1306	330	100	13	33.4
SSL0503HC	330	100	13	16.0
SSL0804HC	330	100	13	24.2

## SSL0503HC Series Specification

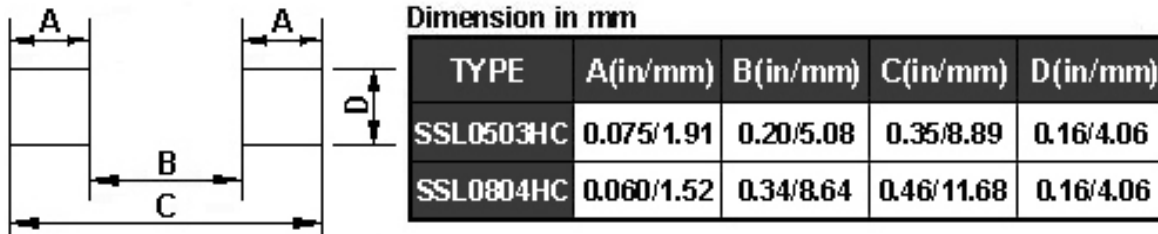
### 9 Packaging:

#### 9.4 Tape Dimensions in mm



TYPE	K0	D	E	W	P	P0	P2
SSL0503HC	5.3	1.55	1.75	16	12	4	2

### 10 Recommended Land Pattern:



### 11 Note:

1. Please make sure that your product has been evaluated and confirmed against your specifications when our product is mounted to your product.
2. Do not knock nor drop.
3. All the items and parameters in this product specification have been prescribed on the premise that our product is used for the purpose, under the condition and in the environment agreed upon between you and us. You are requested not to use our product deviating from such agreement.
4. Please keep the distance between transformer/coil and other components (refer to the standard IEC 950)
5. The moisture sensitivity level (MSL) of products is classified as level 1.



ISO9001 ISO14001 IATF16949 CHILISIN ELECTRONICS CORP.

# SSL0503HC Series Specification

12 Graph: SSL0503HC-1R2M-N

