

## DSS115

### 1.0 AMP. SURFACE MOUNT GENERAL PURPOSE SCHOTTKY BARRIER RECTIFIERS

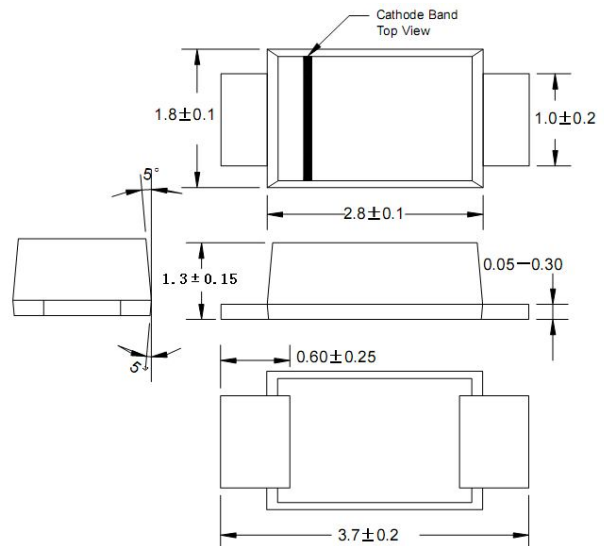
#### FEATURES

- For surface mounted application
- High current capability
- Low forward voltage drop
- Low power loss, high efficiency
- High surge current capability
- High temperature soldering guaranteed:  
250°C/10 seconds at terminals.

#### MECHANICAL DATA

- Case: JEDEC SOD-123FL, molded plastic over passivated chip
- Terminals: Solder Plated, solderable per MIL-STD-750, Method 2026
- Polarity: Color band denotes cathode end
- Weight: 0.006 ounces, 0.02 gram
- Mounting position: Any

#### SOD-123FL



Dimensions in millimeters

### MAXIMUM RATINGS AND ELECTRICAL CHARACTERISTICS

Ratings at 25°C ambient temperature unless otherwise specified.  
Single phase, half wave, 60Hz, resistive or inductive load.  
For capacitive load, derate current by 20%.

Type Number	SYM	DSS115	units
	BOL		
	marking	D115	
Maximum Recurrent Peak Reverse Voltage	$V_{RRM}$	150	V
Maximum RMS Voltage	$V_{RMS}$	105	V
Maximum DC Blocking Voltage	$V_{DC}$	150	V
Maximum Average Forward rectified Current at $T_L = 90^\circ\text{C}$	$I_{F(AV)}$	1.0	A
Peak Forward Surge Current 8.3ms single half sine-wave superimposed on rate load (JEDEC method)	$I_{FSM}$	30.0	A
Maximum Instantaneous forward Voltage at 1.0 A DC	$V_F$	0.95	V
Maximum DC Reverse Current @ $T_A = 25^\circ\text{C}$ at rated DC blocking voltage @ $T_A = 100^\circ\text{C}$	$I_R$	0.05	mA
		5.0	
Typical Junction Capacitance (Note 1)	$C_J$	28	pF
Typical thermal resistance (Note 2)	$R_{(JA)}$	180	°C / W
Storage Temperature Range	$T_{STG}$	-55 to +150	°C
Operation Temperature Range	$T_J$	-55 to +150	°C

#### Note:

1. Measured at 1MHz and applied reverse voltage of 4.0 volts d.c.
2. Measured on P.C.Board with 0.2×0.2”(5.0×5.0mm)Copper Pad Areas

**RATING AND CHARACTERISTIC CURVES (DSS115)**

FIG.1-TYPICAL FORWARD CURRENT DERATING CURVE

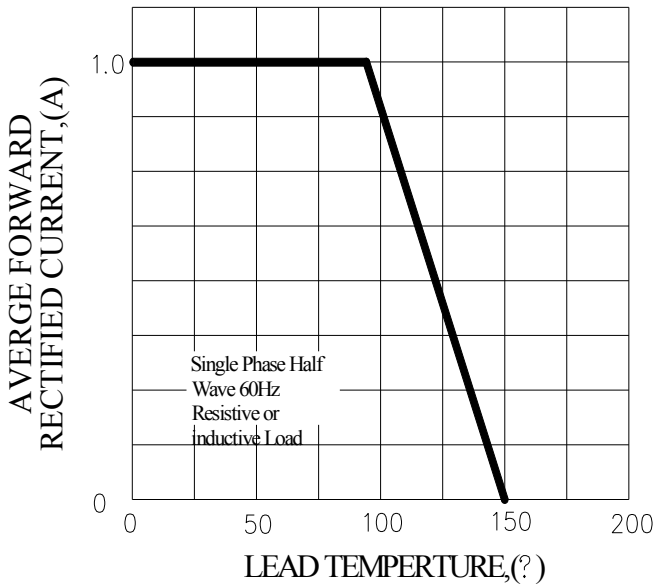


FIG.2-TYPICAL INSTANTANEOUS FORWARD CHARACTERISTICS

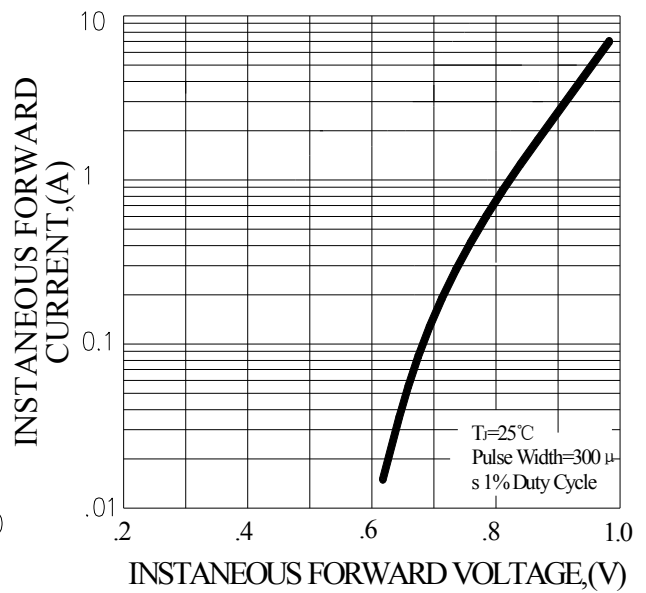


FIG.3-MAXIMUM NON-REPETTITIVE FORWARD SURGE CURRENT

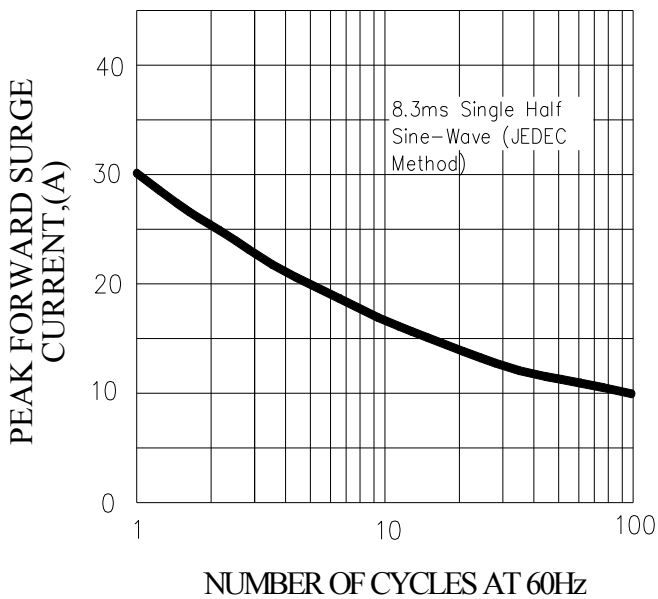
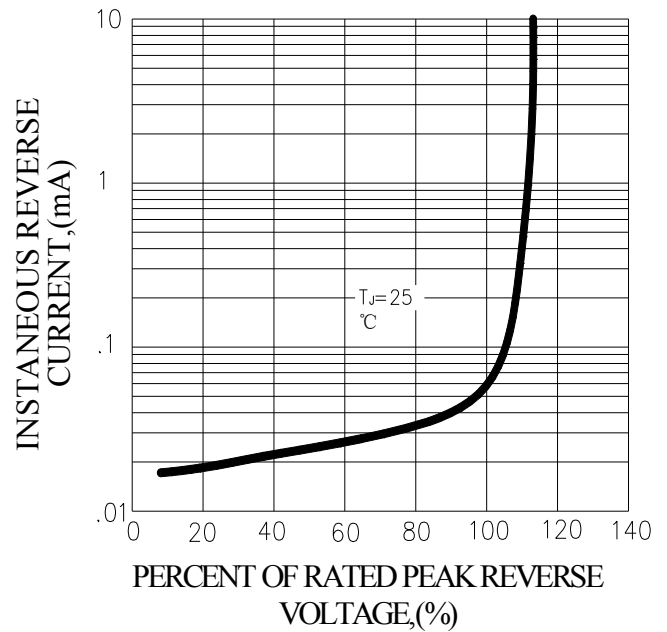
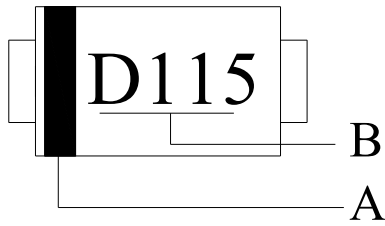


FIG.4-TYPICAL REVERSE CHARACTERISTICS



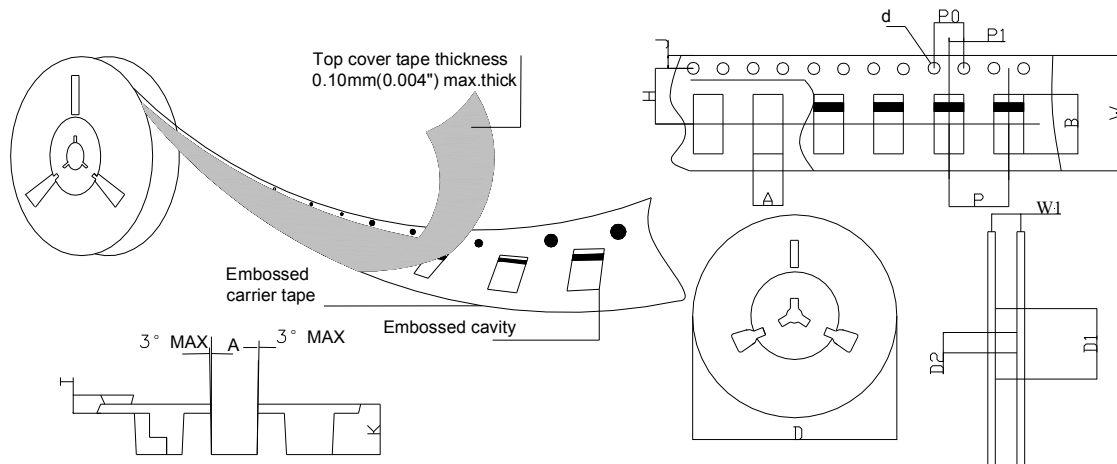
## Marking and packaging illustration

### 1、Marking



SYMBOL	Explanation
A	Color Band Denotes Cathode
B	Product Name

### 2、Packaging



SPECIFICATIONS mm(inch)		PACKAGE
SYMBOL		SOD-123FL
ITEM		
Carrier width	A	2.1(0.083)Max
Carrier length	B	4.0(0.157)Max
Sprocket hole	d	ø1.55(0.061)Typ
Reel outer diameter	D	177.8(7)Typ
Reel inner diameter	D1	50.0(1.969)Min
Feed hole diameter	D2	13.0(0.512)Typ
Sprocket hole position	J	1.75(0.069)Typ
Punch hole position	H	3.50(0.138)Typ
Carrier depth	K	1.60(0.063)Typ
Punch hole pitch	P	4.00(0.157)Typ
Sprocket hole pitch	P0	4.00(0.157)Typ
Embossment center	P1	2.00(0.079)Typ
Overall tape thickness	T	0.25(0.098)Typ
Tape width	W	8.15(0.321)Typ
Reel width	W1	10.5(0.413)Min