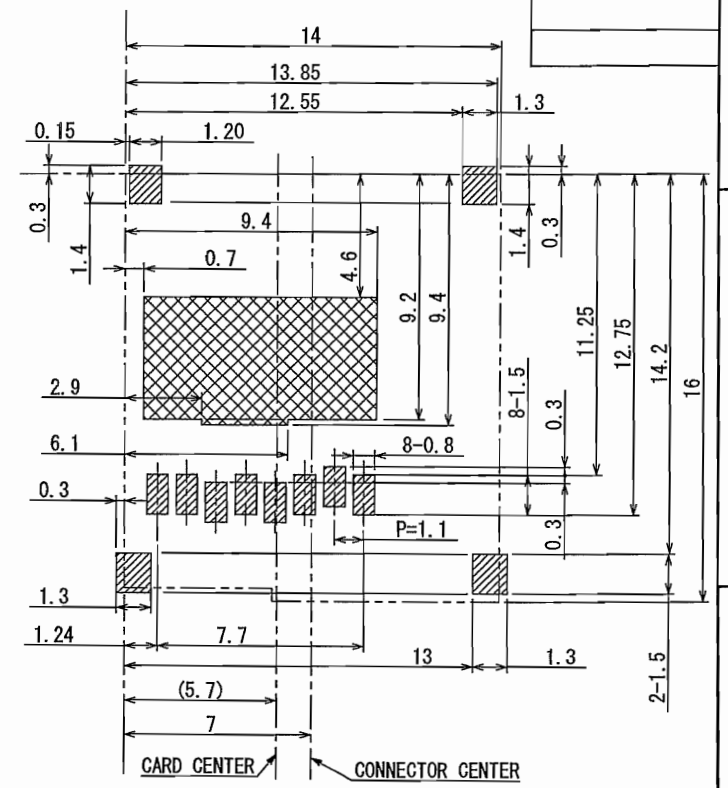
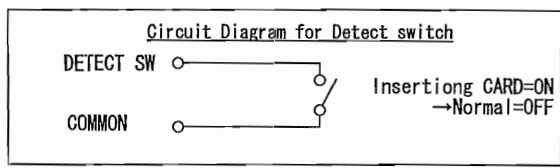
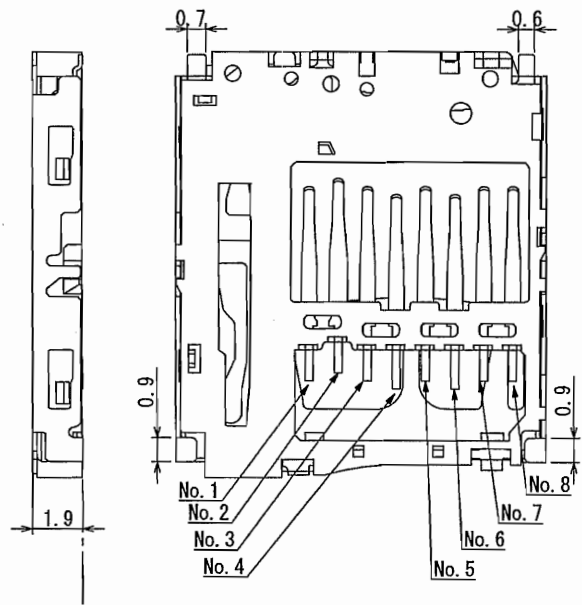
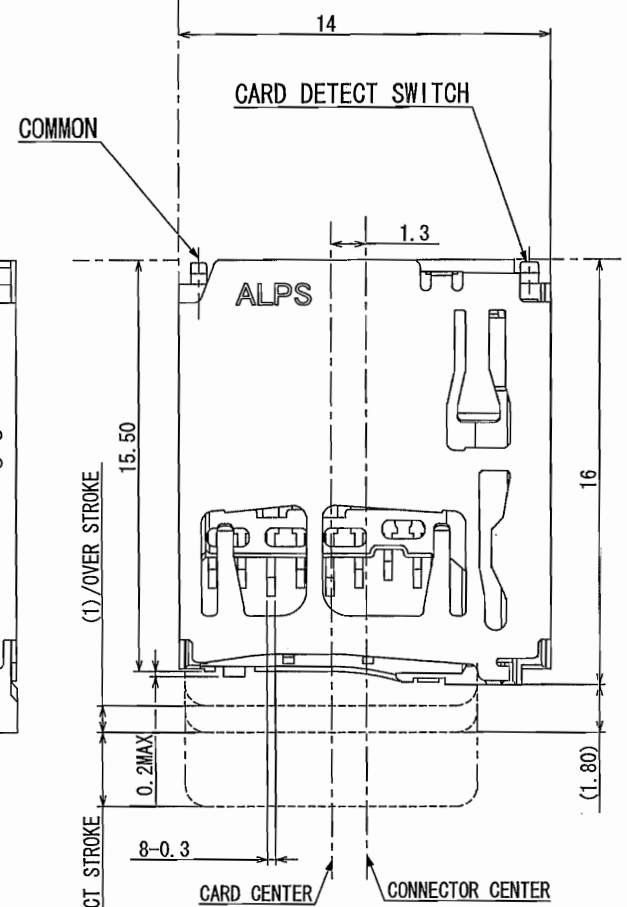


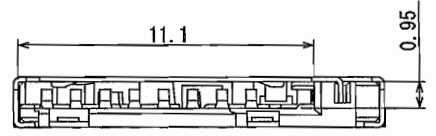
PRELIMINARY

背景
BACK GROUND
PP05022
Taping design change
drawing (2/2)



- :LAND AREA
- :NO PATTERN AREA
- :NO PARTS AREA

RECOMMENDED P. C. BOARD LAYOUT
(MOUNTING FACE SIDE)
ALL TOLERANCE UNDESCRIBED ARE ±0.05
RECOMMENDED PCB LAYOUT

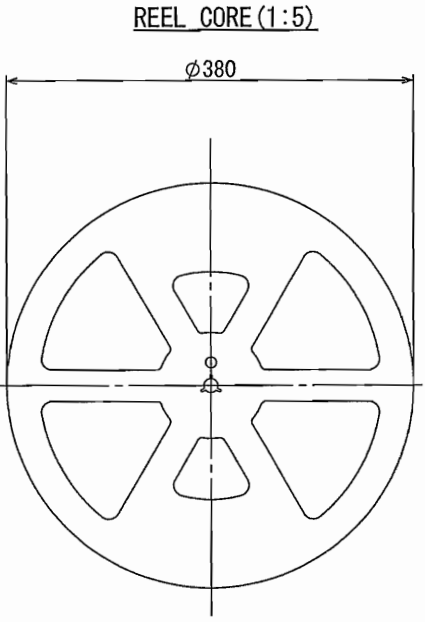


ALPS ELECTRIC CO., LTD.

The tolerance unless otherwise the spec.		DSGD.	Apr. 11. 2005	SCALE	5:1	MODEL No.	SCHA1B0100
10 UNDER	±0.3	CHKD.	Apr. 11. 2005	TITLE	PRODUCT DRAWING (1/2)		
ABOVE 10 TO 100	±0.5	APPD.	Apr. 11. 2005	UNIT	mm	DOCUMENT NO.	
ANGLE	±3°	SYMB	DATE	APPD	CHKD	DSGD	
			6 May. 11. 2005	Y. K.	W. D.	T. N.	

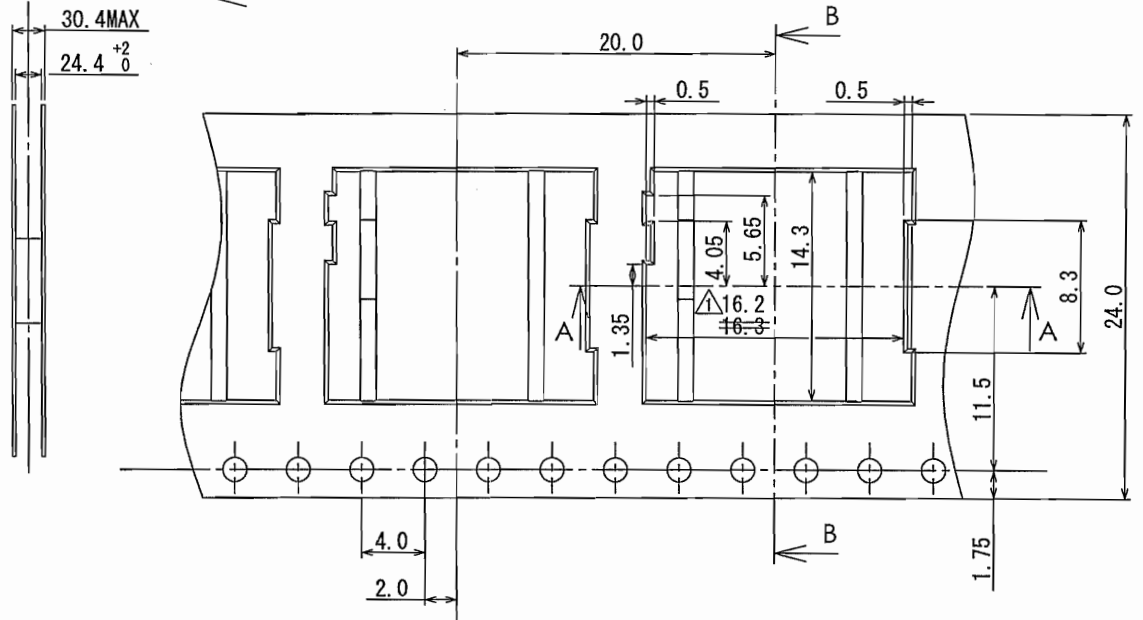
中国

PRELIMINARY

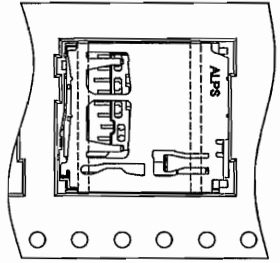


← Feed Direction

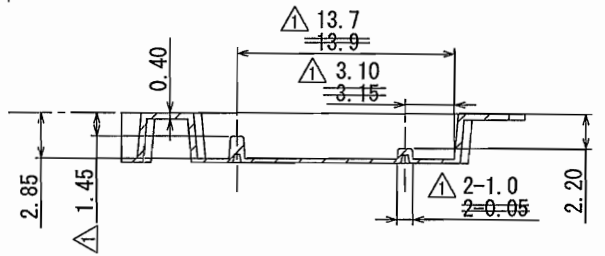
CARRIE TAPE (3:1)



SECTION B-B



PRODUCT PACKING STATE
 DIRECTION OF PACKING
 MUST NOT BE REVERSE



SECTION A-A

ALPS ELECTRIC CO., LTD.

NOTE
 2. 1400PICES / REEL
 1. SPECIFICATION OF TAPING : TAPE-S-018

DSGD.	Apr. 11. 2005	SCALE	3:1	MODEL No.	SCHA1B0100
CHKD.	Apr. 11. 2005			TITLE	(TAPING)
APPD.	Apr. 11. 2005			PRODUCT DRAWING	(2/2)
SYMB	DATE	APPD	CHKD	DSGD	DOCUMENT NO.

中国