

Reverse Voltage - 50 to 1000 V

Forward Current - 1 A



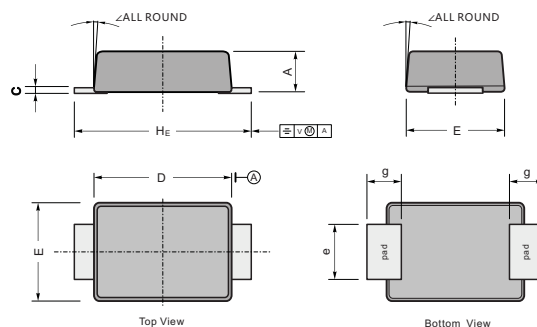
SMAF

FEATURES

- For surface mounted applications
- Low profile package
- Glass Passivated Chip Junction
- Easy to pick and place
- High efficiency
- Lead free in comply with EU RoHS 2011/65/EU directives

MECHANICAL DATA

- Case: SMAF
- Terminals: Solderable per MIL-STD-750, Method 2026
- Approx. Weight: 27mg / 0.00095oz



UNIT		A	C	D	E	e	g	H _E	∠
mm	max	1.2	0.20	3.7	2.7	1.6	1.2	4.9	7°
	min	0.9	0.12	3.3	2.4	1.3	0.8	4.4	
mil	max	47	7.9	146	106	63	47	193	7°
	min	35	4.7	130	94	51	31	173	

Maximum Ratings and Electrical characteristics

Ratings at 25 °C ambient temperature unless otherwise specified.

Single phase half-wave 60 Hz, resistive or inductive load, for capacitive load current derate by 20 %.

Parameter	Symbols	US1A	US1B	US1D	US1G	US1J	US1K	US1M	Units
Maximum Repetitive Peak Reverse Voltage	V _{RRM}	50	100	200	400	600	800	1000	V
Maximum RMS voltage	V _{RMS}	35	70	140	280	420	560	700	V
Maximum DC Blocking Voltage	V _{DC}	50	100	200	400	600	800	1000	V
Maximum Average Forward Rectified Current at T _c = 125 °C	I _{F(AV)}	1							A
Peak Forward Surge Current 8.3 ms Single Half Sine Wave Superimposed on Rated Load	I _{FSM}	30							A
Maximum Instantaneous Forward Voltage at 1 A	V _F	1.0		1.3		1.65		V	
Maximum DC Reverse Current T _a = 25 °C at Rated DC Blocking Voltage T _a = 125 °C	I _R	5 100							μA
Maximum Reverse Recovery Time ⁽¹⁾	t _{rr}	50				75			ns
Typical Thermal Resistance ⁽²⁾	R _{θJA}	80							°C/W
Operating and Storage Temperature Range	T _j , T _{stg}	-55 ~ +150							°C

(1) Measured with I_F = 0.5 A, I_R = 1 A, I_{rr} = 0.25 A.

(2) P.C.B. mounted with 2.0" X 2.0" (5 X 5 cm) copper pad areas.

Fig.1 Forward Current Derating Curve

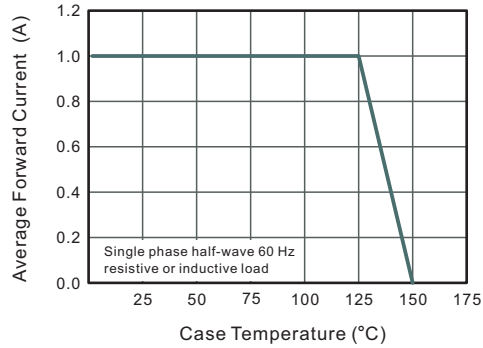


Fig.2 Typical Reverse Characteristics

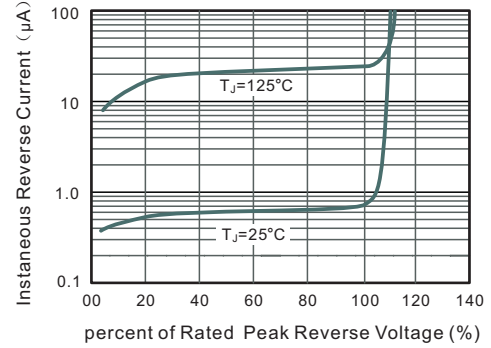


Fig.3 Typical Forward Characteristics

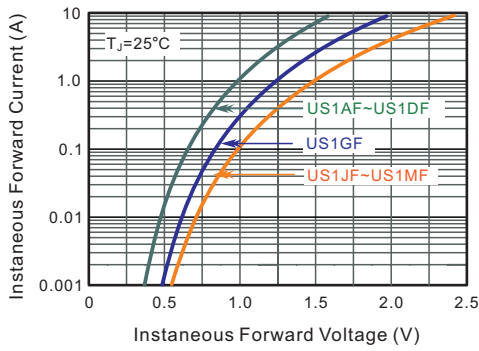
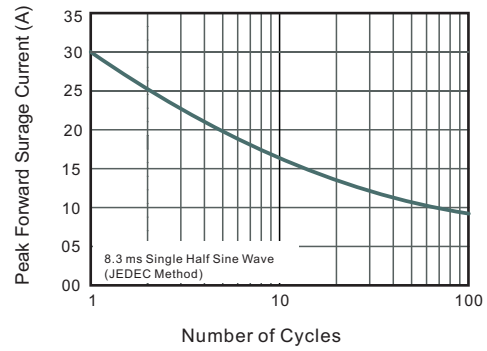


Fig.4 Maximum Non-Repetitive Peak Forward Surge Current



The recommended mounting pad size

