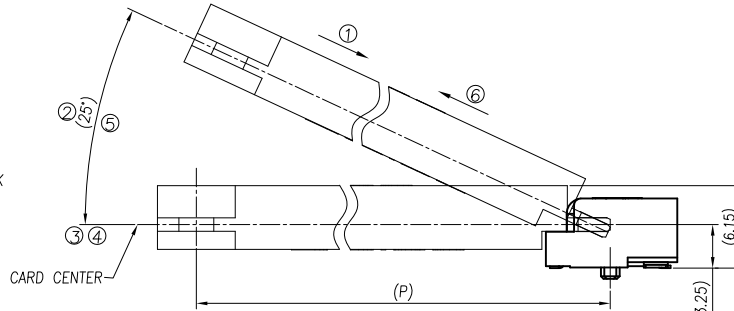
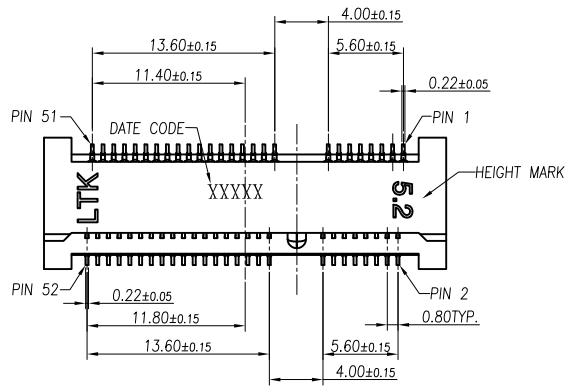


1 2 3 4 5 6 7 8

| REV. | MODIFICATION    | DATE       | DRAW |
|------|-----------------|------------|------|
| A    | INITIAL RELEASE | 2012.03.07 | Coco |
|      |                 |            |      |
|      |                 |            |      |

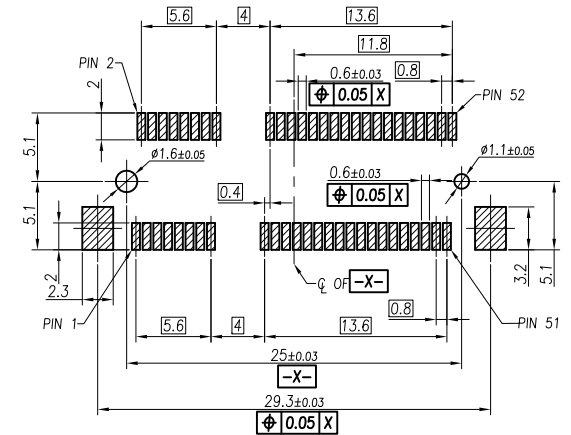
A

A



MATING: ① INSERTING(25°) → ② ROTATING → ③ FIXED  
 UNMATING: ④ UNFIXED → ⑤ ROTATING → ⑥ WITHDRAWING

HALOGEN FREE LEAD FREE



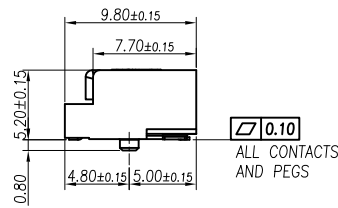
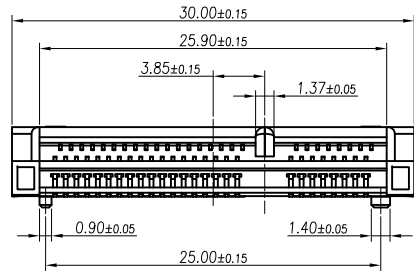
RECOMMEND PCB LAYOUT(MINIMUM THICKNESS OF THE PCB IS 0.8mm)  
 (OTHER TOLERANCES ARE NOT MARKED:±0.03)

B

B

C

C



NOTES:

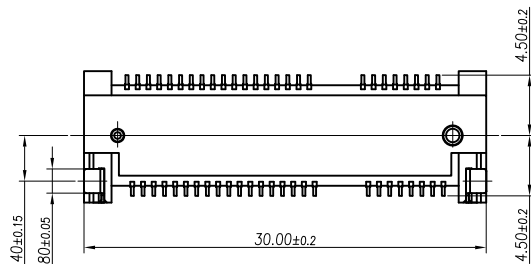
- MATERIAL:  
 HOUSING: THERMOPLASTIC, BLACK COLOR, FLAME RESISTANCE UL94-V0.  
 CONTACTS: COPPER ALLOY, THICKNESS 0.20mm.  
 SOLDER PEGS: COPPER ALLOY, THICKNESS 0.20mm.
- MSL LEVEL:  
 MSL(MOISTURE SENSITIVITY LEVELS)=1
- FINISHED:  
 CONTACTS: GOLD PLATING ON CONTACT AREA AND 50~120u" MATTE TIN PLATING ON SOLDER AREA.  
 30~120u" NICKEL UNDER-PLATING OVER ALL.  
 SOLDER PEGS: 50~120u" MATTE TIN PLATING OVER ALL.  
 50~120u" NICKEL UNDER-PLATING OVER ALL.
- PART NUMBER:  
 MPCET-S52XX-TP52  
 01:GOLD FLASH TP:TAPE REEL  
 05:5U" MIN.  
 10:10U" MIN.  
 15:15U" MIN.  
 30:30U" MIN.

D

D

E

E



F

F

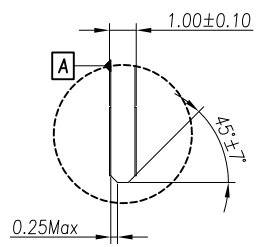
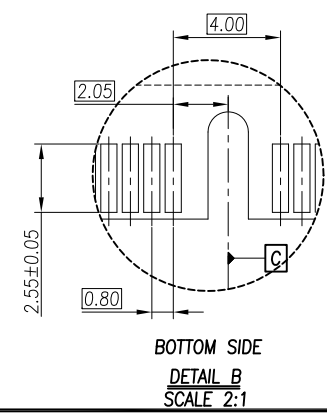
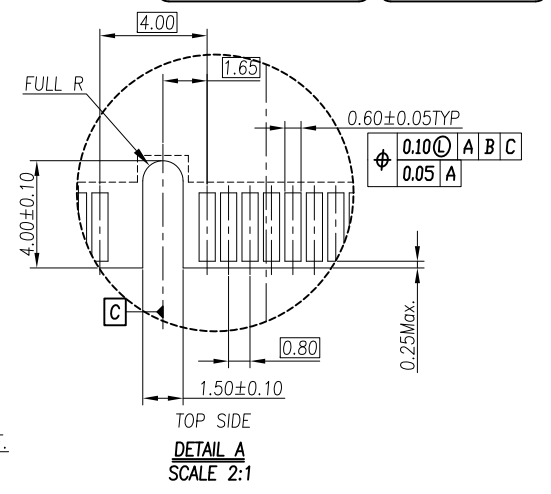
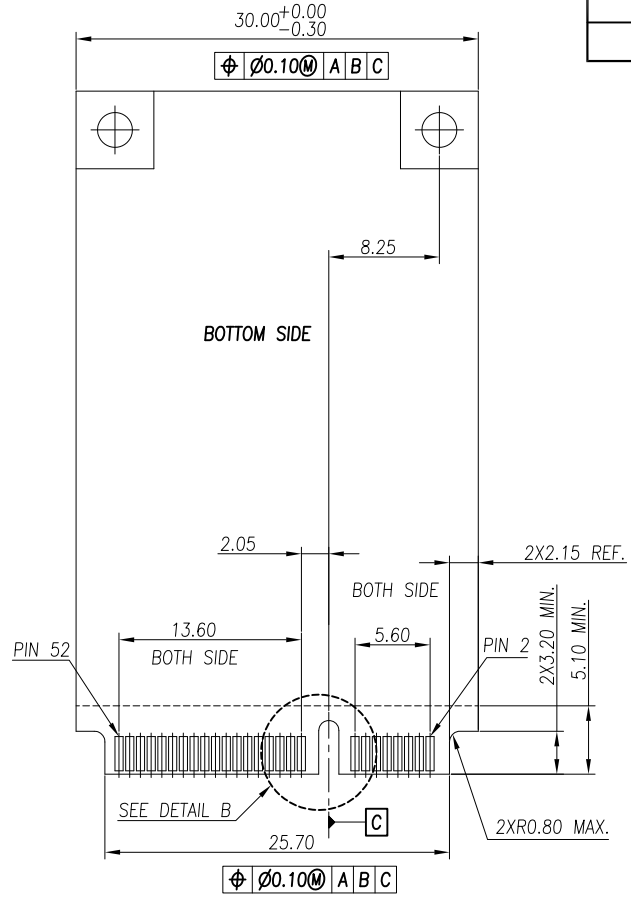
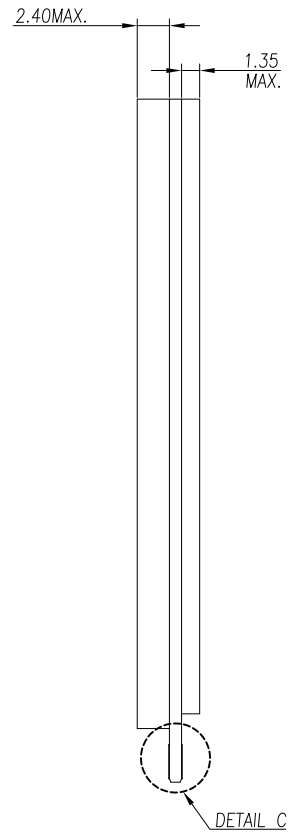
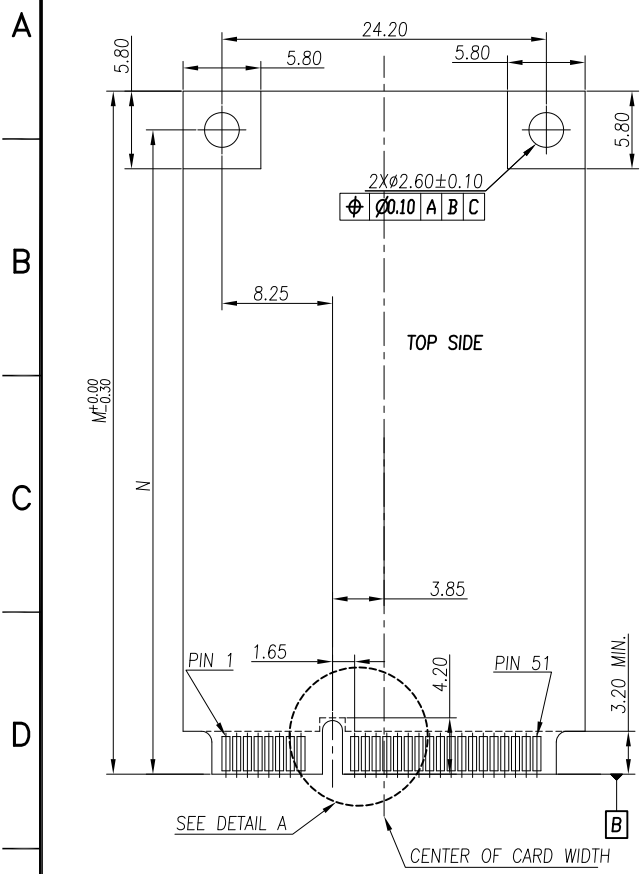
LINKTEK

|                                      |                            |   |
|--------------------------------------|----------------------------|---|
| DIMENSION IN mm [Inch]               | PROD. SPEC.<br>SP-MPCXXL1  | <b>ARGOSY</b> RESEARCH INC.               |
| TOLERANCE UNLESS OTHERWISE SPECIFIED | PKG. SPEC.<br>PK-MPCET-001 |   |
| .X±0.35 X'±1'                        | APR. Alex<br>2012.03.07    | TITLE: MINI PCI EXPRESS 5.2H              |
| .XX±0.25 .X'±                        | CHK. Leo<br>2012.03.07     | FILE NO. ARG-125 DWG NO. MPCET-S52XX-TP52 |
| .XXX± .XX'±                          | DRA. Coco<br>2012.03.07    | PROJ.  CUSTOMER DRAWING                   |
|                                      |                            | SIZE A4 SCALE 1:1 SHEET 1/2 REV. A C      |

1 2 3 4 5 6 7 8 RD-102-15-01

| REV. | MODIFICATION    | DATE       | DRAW |
|------|-----------------|------------|------|
| A    | INITIAL RELEASE | 2012.03.07 | Coco |
|      |                 |            |      |
|      |                 |            |      |

HALOGEN FREE LEAD FREE



LINKTEK

|                                      |         |                            |
|--------------------------------------|---------|----------------------------|
| DIMENSION IN mm [Inch]               |         | PROD. SPEC.<br>SP-MPCXXL1  |
| TOLERANCE UNLESS OTHERWISE SPECIFIED |         | PKG. SPEC.<br>PK-MPCET-001 |
| .X±0.35                              | X.*± 1* | APR. Alex<br>2012.03.07    |
| .XX±0.25                             | .X.*±   | CHK. Leo<br>2012.03.07     |
| .XXX±                                | .XX.*±  | DRA. Coco<br>2012.03.07    |

|                              |                          |           |          |
|------------------------------|--------------------------|-----------|----------|
| <b>ARGOSY</b> RESEARCH INC.  |                          |           |          |
| TITLE: MINI PCI EXPRESS 5.2H |                          |           |          |
| FILE NO. ARG-125             | DWG NO. MPCET-S52XX-TP52 |           |          |
| PROJ.                        | CUSTOMER DRAWING         |           |          |
| SIZE A4                      | SCALE 1:1                | SHEET 2/2 | REV. A C |

|                | M     | N     | P     |
|----------------|-------|-------|-------|
| FULL-MINI CARD | 50.95 | 48.05 | 48.05 |
| HALF-MINI CARD | 26.8  | 23.9  | 23.9  |