

# 承 認 書

## SPECIFICATION FOR APPROVAL

*客戶名稱 <b>Customer name</b>	: 立创
*產品名稱 <b>Product Description</b>	: 跷板开关
*產品型號 <b>Product part number</b>	: RT-S02-117-R4NBB
*客戶料號 <b>Customer's material number</b>	:
*數量 <b>Quantity</b>	: 100PCS
*日期 <b>Date</b>	: 2019-1-4

供應商負責人簽名		客戶負責人確認簽回	
製作人	莫丽琴	承認人	
審核	李跃鑫	審核	
批准	王瑞宝	批准	

皓宇(香港)有限公司  
HAOYU (HONG KONG) LIMITED  
六均电子五金有限公司  
LEGION ELECTRONIC&HARDWARE CO., LTD  
富力隆电子(深圳)有限公司  
ROCKTEK ELECTRONICS (SHENZHEN) CO. LTD  
東莞市石碣鎮四村第一工業區  
Sicun 1st Industrial park, Sicun,  
Shijie Town, Dongguan

電話 : (86) 769-82310511-2  
Tel No

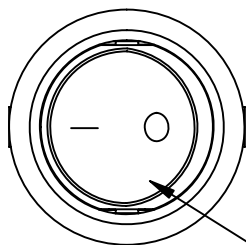
傳真 : (86) 769-82310510  
Fax No

郵箱 : [haoyu888@21cn.com](mailto:haoyu888@21cn.com)  
E - mail

核 准 :  
Approved

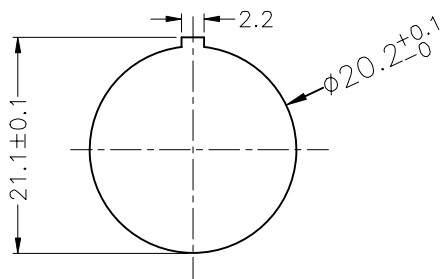
NOTES:

- 1.Circuit:ON/OFF
- 2.Operation force:500±200gf
- 3.Electrical rating:15A 125VAC  
8A 250VAC  
12(6)A 250V~
- 4.Contact resistance:<30mΩ
- 5.Insulation resistance:>1000MΩ(500VDC  
between open contacts)
- 6.Dielectric strength:>1500V 1 minute
- 7.Color: cover is black, body is black.

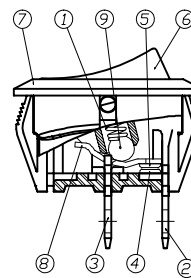
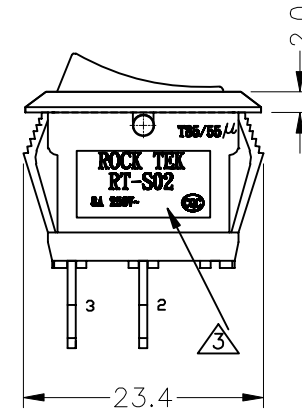
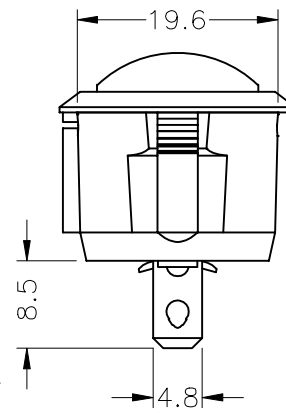
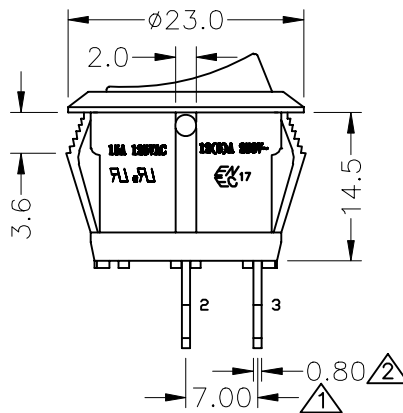
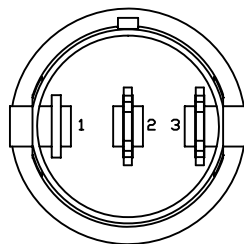
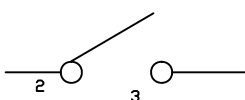


雾面黑色上盖

Panel cut out(Thickness: 3mm Max)



Circuit of Switch

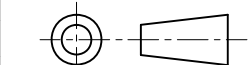


NO.	Name	Material	Q'ty
09	转轴	NICKEL PALTED BRASS	1pcs
08	接触片	C2680 1/2H Ag-plate	1pcs
07	本盖	PA66	1pcs
06	上盖	PA66	1pcs
05	动触点	CU+AgNi10	1pcs
04	静触点	CU+AgNi10	1pcs
03	端子	C2680 1/2H Ag-plate	1pcs
02	端子	C2680 1/2H Ag-plate	1pcs
01	弹簧	SWC	1pcs

DIMENSIONAL TOLERANCES		APPROVED	CHECKED	DESIGN	DRAWN	ALL SIZE ARE IN	MM		
RANGE	TOLERANCE					SCALE	FIT		
X	±0.4					MAT'L	***		
X.X	±0.3					MATERIAL NO.		DRAWING NO.	REV
X.XX	±0.2								
ANGLES	±0.5'	ROCK TEK ELECTRICAL(SHENZHEN) CO.,LTD.							
NO	DESCRIPTION								

SIMON  
2008.07.01

RT-S02-117-R4NBB



WIF108017 C

Specification Of RT-S02 Series Rocker Switch

1.Scope

This specification covers the RT-S02 series rocker switch.

2.Rating

15A 125VAC UL,CUL

8A 250VAC CQC

12(6)A 250VAC ENEC

3.Standard

UL61058-1

EN60158-1 2002,

GB15092

4.Dimensions

Dimensions of this switch are shown on the following drawing.

5.Electrical

5.1. Contact Resistance

The contact resistance should be  $30\text{m}\Omega$  (Max).

5.2. Insulation resistance

It is measured with 500V DC 1 minute should be  $100\text{M}\Omega$  (Min).

5.3.Dielectric strength

(Between terminals of open contacts and terminals of opposite polarity)

Dielectric strength should withstand without breakdown a potential of AC  
1500V/minute.

(Between terminals and metal frame)

Dielectric strength should withstand without breakdown a potential of AC  
1500V/minute

ROCK TEK ELECTRONICS(SHENZHEN)CO., LTD.

富 力 隆 電 子 ( 深 圳 ) 有 限 公 司

**Specification Of RT-S02 Series Rocker Switch** page:2/2

**6.Terminal Strength**

Using a static force of 5kg in one direction on the tip terminal for 1 minute.

The terminal may be deformed, but should not sustain any trouble as deviation

And breaking of terminal and breaking of insulation.

**7.Life test**

All of the mechanical life are over 30,000 cycles.

All of the electrical life all over 10,000 cycles.

**8.Soldering test**

The terminals shall be well soldered of dipped place of immersed place in the solder.

Dipped in molten solder of  $260\pm 5^{\circ}\text{C}$  and the dwell time in solder is 3~5 seconds and

More than 75% of the dipped shall be covered by solder.

**9. Humidity test**

The switch shall be stored at a temperature of  $40\pm 2^{\circ}\text{C}$  and a humidity of 90% to 95%

for 96 hours. Then the switch shall be maintained at standard atmospheric condition

for 1 hour after which measurement shall be made. The shall be no deformation or cracks

in molded part.



**WOYR2.E153399**  
**Switches, Appliance and Special Use - Component**

For enhanced search functionality, please visit UL's [iQ™ Family of Databases](#).  
 Click on a product designation for complete information.

Page Bottom

**Switches, Appliance and Special Use - Component**

[See General Information for Switches, Appliance and Special Use - Component](#)

**LEGION ELECTRONIC CO LTD**

E153399

Room M  
 4Th Fl, Continental Mansion  
 300 King's Rd  
 Hong Kong, HONG KONG

**Investigated to ANSI/UL 1054**

Cat. No.	Amps	Volts	Hz	Load	Endurance	Temp C	POL/THR	Per Pole/Circuit Code	SPCOA
<b>EPS11</b>	10	125	60	GP	6K	55	1/1	-/-	-
	10	250	60	GP	6K				
	-	-	-	GP	-				
	-	-	-	GP	-				
<b>EPS21</b>	10	125	60	GP	6K	55	2/1	PP/D1	-
	10	250	60	GP	6K				
	-	-	-	GP	-				
	-	-	-	GP	-				
<b>FR01 f/b A1, A2 or A3, f/b F0 or F1, f/b L1</b>									
	6	125	60	GP	6K	65	1/M	-/-	Note 6(16 thru 20 AWG)
	6	250	60	GP	6K				
<b>M1</b>	7.5	125	60	GP	6K	75	1/2	-/A	-
	5	250	60	GP	6K				
<b>MFR01 f/b A1, f/b F or M, f/b 04, 05, 06, 07, 08, 09 or 10, f/b L1</b>									
	8	125	60	GP	6K	65	1/M	-/-	-
	8	250	60	GP	6K				
<b>MPS11</b>	16	125	60	GP	6K	85	1/1	PP/-	-
	10	250	60	GP	6K				
	5	125	60	TV	25K				
<b>MPS21 f/b letter; f/b letter; f/b A or B; f/b Q; f/b M or Blank; f/b S or D; f/b -L or Blank; f/b 2 or Blank; f/b 2 or Blank; f/b -R or Blank)</b>									
	16	125	50/60	GP	6K	65	2/1	PP/D1	Note 2
	16	250	50/60	GP	6K				
	-	125	50/60	3/4hp	6K				
	-	250	50/60	3/4hp	6K				
<b>OVS-1 f/b A, B, C or D</b>	12	125	60	GP	6K	150	M/M	PP/-	-
	12	250	60	GP	6K				


<b>PS01-X-X-X</b>	3	250	60	GP	6K	85	1/1	-/A	-
	6	125	60	GP	6K				
	6	125	60	L	6K				
<b>RT-M2,f/b 0, 1, 2, 3, 4, 5 or 6</b>									
	5	125	60	GP	6K	85	1/2	-/A	-
	5	250	60	GP	6K				
	6	30	DC	R	6K				
<b>RT-P02</b>	7	14	DC	-	6K	65	1/2	-/A	-
<b>RT-P03</b>	16	125	60	GP	6K	85	1/1	-/A	Note 2
	16	250	60	GP	6K				
	-	125	60	3/4hp	6K				
<b>RT-P04</b>	16	125	60	GP	6K	95	1/1	-/A	-
	-	125	60	1/2hp	6K				
<b>RT-P05</b>	14	125	50/60	GP	6K	65	2/1	-/B	Note 11A
	14	250	50/60	GP	6K				
	-	125	50/60	1/2hp	6K				
	-	250	50/60	1hp	6K				
<b>RT-S01</b>	10	125	60	GP	6K	85	1/1	-/A	-
	6	250	60	GP	6K				
<b>RT-S01A</b>	10	125	60	GP	6K	85	1/1	-/A	Note 2
	6	250	60	GP	6K				
<b>RT-S02</b>	15	125	60	GP	6K	85	1/1	-/A	-
	8	250	60	GP	6K				
<b>RT-S02A</b>	15	125	60	GP	6K	85	1/1	-/A	Note 2
	8	250	60	GP	6K				
<b>RT-S03</b>	16	125	60	GP	6K	105	2/1	-/B	-
	16	250	60	GP	6K				
	-	125	60	1/3hp	6K				
<b>RT-S03A</b>	16	125	60	GP	6K	105	2/1	-/B	Note 2
	16	250	60	GP	6K				
	-	125	60	1/3hp	6K				
<b>RT-S05</b>	15	125	60	GP	6K	125	2/2	-/B	-
<b>RT-S06 f/b A or Blank</b>	16	125	60	GP	6K	85	1/1	-/A	Note 2
	10	250	60	GP	6K				
	-	125	60	3/4hp	6K				
	-	250	60	1hp	6K				
<b>SS11, f/b Letters, Numbers or Blank, f/b Q or S, f/b -Letters, -Numbers or Blank, f/b 20 or 30, f/b -Letters, -Numbers or Blank .</b>									
	12	125	60	GP	6K	65	1/1,2/2	-/A	-
	12	250	60	GP	6K				
	16	125	60	GP	6K				
	16	250	60	GP	6K				
	10	125	60	GP	6K				
	10	250	60	GP	6K				
	6	125	60	GP	6K				
	6	250	60	GP	6K				

<b>SS21, f/b suffixes</b>	10	125	60	GP	6K	65	2/1	PP/C	-
	10	250	60	GP	6K				
<b>SS21, f/b suffixes, f/b -S</b>									
	10	125	60	GP	6K	65	1/1	-/A	-
	10	250	60	GP	6K				
<b>SS24, f/b Letters, Numbers or Blank, f/b Q or S, f/b -Letters, -Numbers or Blank, f/b 40 or 60, f/b -Letters, -Numbers or Blank .</b>									
	12	125	60	GP	6K	65	2/2 or 2/1	PP/D1	-
	12	250	60	GP	6K				
	10	125	60	GP	6K				
	10	250	60	GP	6K				
	6	125	60	GP	6K				
	6	250	60	GP	6K				
	16	125	60	GP	6K				
	16	250	60	GP	6K				
<b>SS31 f/b letters; f/b Q, S or C; f/b R, F or L; f/b D; f/b 40, 41; f/b L or blank; f/b letters or numbers or blank.</b>									
	16	125	50/60	GP	6K	65	2/1	PP/C	2,3
	16	250	50/60	GP	6K				
	-	125	50/60	3/4hp	6K				
	-	250	50/60	3/4hp	6K				
<b>SS31 f/b letters; f/b Q, S or C; f/b R, F or L; f/b D; f/b 60; f/b L or blank; f/b letters or numbers or blank.</b>									
	16	125	50/60	GP	6K	65	2/2	PP/C	2, 3
	16	250	50/60	GP	6K				
	-	125	50/60	3/4hp	6K				
	-	250	50/60	3/4hp	6K				
<b>SS31 f/b letters; f/b Q, S or C; f/b R, F or L; f/b S; f/b 20 or 21; f/b L or blank; f/b letters or numbers or blank.</b>									
	16	125	50/60	GP	6K	65	1/1	-/A	2, 3
	16	250	50/60	GP	6K				
	-	125	50/60	3/4hp	6K				
	-	250	50/60	3/4hp	6K				
<b>SS31 f/b letters; f/b Q, S or C; f/b R, F or L; f/b T; f/b 40, 41; f/b L or blank; f/b letters or numbers or blank.</b>									
	16	125	50/60	GP	6K	65	2/1	PP/C	2,3
	16	250	50/60	GP	6K				
	-	125	50/60	3/4hp	6K				
	-	250	50/60	3/4hp	6K				
<b>SS31 f/b letters; f/b Q, S or C; f/b R, F or L; f/b T; f/b 60; f/b L or blank; f/b letters or numbers or blank.</b>									
	16	125	50/60	GP	6K	65	2/2	PP/C	2, 3
	16	250	50/60	GP	6K				
	-	125	50/60	3/4hp	6K				
	-	250	50/60	3/4hp	6K				
<b>SS31 f/b letters; f/b Q, S or C; f/b R, F; f/b S; f/b 30; f/b letters or numbers or blank.</b>									
	16	125	50/60	GP	6K	65	1/2	-/A	3
	16	250	50/60	GP	6K				
	-	125	50/60	3/4hp	6K				
	-	250	50/60	3/4hp	6K				
<b>VS12 f/b M or H, f/b 11, 12</b>									
	12	125	60	GP	-	65	1/M	-/-	-

	12	250	60	GP	-				
	6	125	60	GP	-				
	3	250	60	GP	-				
	2	125	60	GP	-				
	1	250	60	GP	-				
<b>VS34 f/b, M or H, f/b 11, 12, 21 or 22</b>									
	12	125	60	GP	-	55	M/M	-/-	-
	12	250	60	GP	-				

Note 2 - These are lighted switches employing a lamp. The usable lamp life has not been evaluated.

Note 6 - The switch employs push-in terminals. These have been evaluated for use with solid and solder dipped stranded conductors of a specified size (shown within parenthesis in AWG).

Marking: Company name or tradename "LEGION" , catalog, model or part number, electrical ratings and the Recognized Component Mark,  on the product or on the smallest unit container in which the product is packaged.

Last Updated on 2015-12-14

[Questions?](#)

[Print this page](#)

[Terms of Use](#)

[Page Top](#)

◆ 2016 UL LLC

The appearance of a company's name or product in this database does not in itself assure that products so identified have been manufactured under UL's Follow-Up Service. Only those products bearing the UL Mark should be considered to be Certified and covered under UL's Follow-Up Service. Always look for the Mark on the product.

UL permits the reproduction of the material contained in the Online Certification Directory subject to the following conditions: 1. The Guide Information, Assemblies, Constructions, Designs, Systems, and/or Certifications (files) must be presented in their entirety and in a non-misleading manner, without any manipulation of the data (or drawings). 2. The statement "Reprinted from the Online Certifications Directory with permission from UL" must appear adjacent to the extracted material. In addition, the reprinted material must include a copyright notice in the following format: "© 2016 UL LLC".





**WOYR8.E153399**

**Switches, Appliance and Special Use Certified for Canada - Component**

For enhanced search functionality, please visit UL's [iQ™ Family of Databases](#).

Click on a product designation for complete information.

Page Bottom

**Switches, Appliance and Special Use Certified for Canada - Component**

See General Information for Switches, Appliance and Special Use Certified for Canada - Component

**LEGION ELECTRONIC CO LTD**

E153399

Room M  
4Th Fl, Continental Mansion  
300 King's Rd  
Hong Kong, HONG KONG

Investigated to CSA-C22.2 No. 55

Cat. No.	Amps	Volts	Hz	Load	Endurance	Temp C	POL/THR	Per Pole/Circuit Code	SPCOA
<b>EPS11</b>	10	125	60	GP	6K	55	1/1	-/-	-
	10	250	60	GP	6K				
	-	-	-	GP	-				
	-	-	-	GP	-				
<b>EPS21</b>	10	125	60	GP	6K	55	2/1	PP/D1	-
	10	250	60	GP	6K				
	-	-	-	GP	-				
	-	-	-	GP	-				
<b>FR01 f/b A1, A2 or A3, f/b F0 or F1, f/b L1</b>									
	6	125	60	GP	6K	65	1/M	-/-	Note 6(16 thru 20 AWG)
	6	250	60	GP	6K				
<b>M1</b>	7.5	125	60	GP	6K	75	1/2	-/A	-
	5	250	60	GP	6K				
<b>MFR01 f/b A1, f/b F or M, f/b 04, 05, 06, 07, 08, 09 or 10, f/b L1</b>									
	8	125	60	GP	6K	65	1/M	-/-	-
	8	250	60	GP	6K				
<b>MPS11</b>	16	125	60	GP	6K	85	1/1	PP/-	-
	10	250	60	GP	6K				
	5	125	60	TV	25K				
<b>MPS21 f/b letter; f/b letter; f/b A or B; f/b Q; f/b M or Blank; f/b S or D; f/b -L or Blank; f/b 2 or Blank; f/b 2 or Blank; f/b -R or Blank)</b>									
	16	125	50/60	GP	6K	65	2/1	PP/D1	Note 2
	16	250	50/60	GP	6K				
	-	125	50/60	3/4hp	6K				
	-	250	50/60	3/4hp	6K				
<b>OVS-1 f/b A, B, C or D</b>	12	125	60	GP	6K	150	M/M	PP/-	-
	12	250	60	GP	6K				

<b>PS01-X-X-X</b>	3	250	60	GP	6K	85	1/1	-/A	-
	6	125	60	GP	6K				
	6	125	60	L	6K				
<b>RT-M2,f/b 0, 1, 2, 3, 4, 5 or 6</b>									
	5	125	60	GP	6K	85	1/2	-/A	-
	5	250	60	GP	6K				
	6	30	DC	R	6K				
<b>RT-P02</b>	7	14	DC	-	6K	65	1/2	-/A	-
<b>RT-P03</b>	16	125	60	GP	6K	85	1/1	-/A	Note 2
	16	250	60	GP	6K				
	-	125	60	3/4hp	6K				
<b>RT-P04</b>	16	125	60	GP	6K	95	1/1	-/A	-
	-	125	60	1/2hp	6K				
<b>RT-P05</b>	14	125	50/60	GP	6K	65	2/1	-/B	Note 11A
	14	250	50/60	GP	6K				
	-	125	50/60	1/2hp	6K				
	-	250	50/60	1hp	6K				
<b>RT-S01</b>	10	125	60	GP	6K	85	1/1	-/A	-
	6	250	60	GP	6K				
<b>RT-S01A</b>	10	125	60	GP	6K	85	1/1	-/A	Note 2
	6	250	60	GP	6K				
<b>RT-S02</b>	15	125	60	GP	6K	85	1/1	-/A	-
	8	250	60	GP	6K				
<b>RT-S02A</b>	15	125	60	GP	6K	85	1/1	-/A	Note 2
	8	250	60	GP	6K				
<b>RT-S03</b>	16	125	60	GP	6K	105	2/1	-/B	-
	16	250	60	GP	6K				
	-	125	60	1/3hp	6K				
<b>RT-S03A</b>	16	125	60	GP	6K	105	2/1	-/B	Note 2
	16	250	60	GP	6K				
	-	125	60	1/3hp	6K				
<b>RT-S05</b>	15	125	60	GP	6K	125	2/2	-/B	-
<b>RT-S06 f/b A or Blank</b>	16	125	60	GP	6K	85	1/1	-/A	Note 2
	10	250	60	GP	6K				
	-	125	60	3/4hp	6K				
	-	250	60	1hp	6K				
<b>SS11, f/b Letters, Numbers or Blank, f/b Q or S, f/b -Letters, -Numbers or Blank, f/b 20 or 30, f/b -Letters, -Numbers or Blank .</b>									
	12	125	60	GP	6K	65	1/1,2/2	-/A	-
	12	250	60	GP	6K				
	16	125	60	GP	6K				
	16	250	60	GP	6K				
	10	125	60	GP	6K				
	10	250	60	GP	6K				
	6	125	60	GP	6K				
	6	250	60	GP	6K				

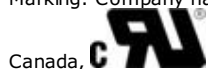
<b>SS21, f/b suffixes</b>	10	125	60	GP	6K	65	2/1	PP/C	-
	10	250	60	GP	6K				
<b>SS21, f/b suffixes, f/b -S</b>									
	10	125	60	GP	6K	65	1/1	-/A	-
	10	250	60	GP	6K				
<b>SS24, f/b Letters, Numbers or Blank, f/b Q or S, f/b -Letters, -Numbers or Blank, f/b 40 or 60, f/b -Letters, -Numbers or Blank .</b>									
	12	125	60	GP	6K	65	2/2 or 2/1	PP/D1	-
	12	250	60	GP	6K				
	10	125	60	GP	6K				
	10	250	60	GP	6K				
	6	125	60	GP	6K				
	6	250	60	GP	6K				
	16	125	60	GP	6K				
	16	250	60	GP	6K				
<b>SS31 f/b letters; f/b Q, S or C; f/b R, F or L; f/b D; f/b 40, 41; f/b L or blank; f/b letters or numbers or blank.</b>									
	16	125	50/60	GP	6K	65	2/1	PP/C	2,3
	16	250	50/60	GP	6K				
	-	125	50/60	3/4hp	6K				
	-	250	50/60	3/4hp	6K				
<b>SS31 f/b letters; f/b Q, S or C; f/b R, F or L; f/b D; f/b 60; f/b L or blank; f/b letters or numbers or blank.</b>									
	16	125	50/60	GP	6K	65	2/2	PP/C	2, 3
	16	250	50/60	GP	6K				
	-	125	50/60	3/4hp	6K				
	-	250	50/60	3/4hp	6K				
<b>SS31 f/b letters; f/b Q, S or C; f/b R, F or L; f/b S; f/b 20 or 21; f/b L or blank; f/b letters or numbers or blank.</b>									
	16	125	50/60	GP	6K	65	1/1	-/A	2, 3
	16	250	50/60	GP	6K				
	-	125	50/60	3/4hp	6K				
	-	250	50/60	3/4hp	6K				
<b>SS31 f/b letters; f/b Q, S or C; f/b R, F or L; f/b T; f/b 40, 41; f/b L or blank; f/b letters or numbers or blank.</b>									
	16	125	50/60	GP	6K	65	2/1	PP/C	2,3
	16	250	50/60	GP	6K				
	-	125	50/60	3/4hp	6K				
	-	250	50/60	3/4hp	6K				
<b>SS31 f/b letters; f/b Q, S or C; f/b R, F or L; f/b T; f/b 60; f/b L or blank; f/b letters or numbers or blank.</b>									
	16	125	50/60	GP	6K	65	2/2	PP/C	2, 3
	16	250	50/60	GP	6K				
	-	125	50/60	3/4hp	6K				
	-	250	50/60	3/4hp	6K				
<b>SS31 f/b letters; f/b Q, S or C; f/b R, F; f/b S; f/b 30; f/b letters or numbers or blank.</b>									
	16	125	50/60	GP	6K	65	1/2	-/A	3
	16	250	50/60	GP	6K				
	-	125	50/60	3/4hp	6K				
	-	250	50/60	3/4hp	6K				
<b>VS12 f/b M or H, f/b 11, 12</b>									
	12	125	60	GP	-	65	1/M	-/-	-

	12	250	60	GP	-				
	6	125	60	GP	-				
	3	250	60	GP	-				
	2	125	60	GP	-				
	1	250	60	GP	-				
<b>VS34 f/b, M or H, f/b 11, 12, 21 or 22</b>									
	12	125	60	GP	-	55	M/M	-/-	-
	12	250	60	GP	-				

Note 2 - These are lighted switches employing a lamp. The usable lamp life has not been evaluated.

Note 6 - The switch employs push-in terminals. These have been evaluated for use with solid and solder dipped stranded conductors of a specified size (shown within parenthesis in AWG).

Marking: Company name or tradename "LEGION" , catalog, model or part number, electrical ratings and the Recognized Component Mark for



Canada, on the product or on the smallest unit container in which the product is packaged.

Last Updated on 2015-12-14

[Questions?](#)

[Print this page](#)

[Terms of Use](#)

[Page Top](#)

◆ 2016 UL LLC

The appearance of a company's name or product in this database does not in itself assure that products so identified have been manufactured under UL's Follow-Up Service. Only those products bearing the UL Mark should be considered to be Certified and covered under UL's Follow-Up Service. Always look for the Mark on the product.

UL permits the reproduction of the material contained in the Online Certification Directory subject to the following conditions: 1. The Guide Information, Assemblies, Constructions, Designs, Systems, and/or Certifications (files) must be presented in their entirety and in a non-misleading manner, without any manipulation of the data (or drawings). 2. The statement "Reprinted from the Online Certifications Directory with permission from UL" must appear adjacent to the extracted material. In addition, the reprinted material must include a copyright notice in the following format: "© 2016 UL LLC".



Annex to Licence Number      ENEC NO      1740  
Order No      79692

Licence for use of the here shown ENEC conformity mark :



Based on:

**“Agreement on the use of a commonly agreed Mark on Conformity for equipment complying with European Standards as of 12 November 1991 (in short ENEC Agreement), as revised latest by ENEC group April 16. 1997.**

Nemko hereby grants the following manufacturer as licensee the right to affix this ENEC mark on the product(s) specified below.

Product	Switches for appliances
Name and address of the applicant	Rock Tek Electronics (Shenzhen) Co., Ltd. Guangguang Road, Guanlan Town, Baoan District Shenzhen City, Guangdong China
Name and address of the manufacturer	Rock Tek Electronics (Shenzhen) Co., Ltd. Guangguang Road, Guanlan Town, Baoan District Shenzhen City, Guangdong China
Name and address of the factory	Rock Tek Electronics (Shenzhen) Co., Ltd. Guangguang Road, Guanlan Town, Baoan District Shenzhen City, Guangdong China
Rating and principal characteristics	12(6)A 250V AC 50Hz
Trade mark (if any)	ROCK TEK
Model/type Ref.	RT-S02
Additional information (if necessary)	Rocker switch for incorporation, Cl. II, micro disconnection, T85/55, 10E4, pollution degree II, PTI250, single pole, IP40 when mounted as declared

The above product is certified according to EN 61058-1:2002

The conditions for this licence are that the ENEC-marked products conform with the applicable Standard(s) as stated in the Test Report with Order No: 76962

and that Articles 8 and 9 of the ENEC Agreement are fulfilled by the manufacturer.

The mark signifies the compliance of the completed products with these conditions.

Further information is given in the attached Annex, which forms an obligatory part of this licence document.

Date of issue 08 February 2007

Issued by



NEMKO ref. Person: Kenneth Thorud

*Hanne Yndestad*

Hanne Yndestad  
Certification Department



# 产品认证证书

证书编号: CQC06002015520

## 申请人名称及地址

富力隆电子(深圳)有限公司  
广东省深圳市宝安区观澜大水坑观光公路观澜镇大水坑桔新经济合作社

## 制造商名称及地址

富力隆电子(深圳)有限公司  
广东省深圳市宝安区观澜大水坑观光公路观澜镇大水坑桔新经济合作社

## 生产企业名称及地址

富力隆电子(深圳)有限公司 (V006093)  
广东省深圳市宝安区观澜大水坑观光公路观澜镇大水坑桔新经济合作社

## 产品名称和系列、规格、型号

跷板开关

RI-S02 系列 15A 125VAC 8A 250VAC 50Hz 1E4 耐热3级 PII175 锡焊端头 污染等级2 系列命名方式见证书附件

## 产品标准和技术要求

GB15092.1-2010

## 认证模式

产品型式试验+初次工厂检查+获证后监督

上述产品符合CQC11-462124-2009认证规则的要求,特发此证。

发证日期: 2016年04月06日

证书有效期内本证书的有效性依据发证机构的定期监督获得保持。

本证书为变更证书,证书首次颁发日期: 2006年02月20日

主任: \_\_\_\_\_



# 中国质量认证中心

中国·北京·南四环西路188号9区100070

<http://www.cqc.com.cn>

C 0082566