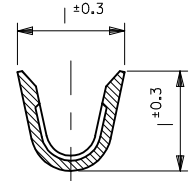
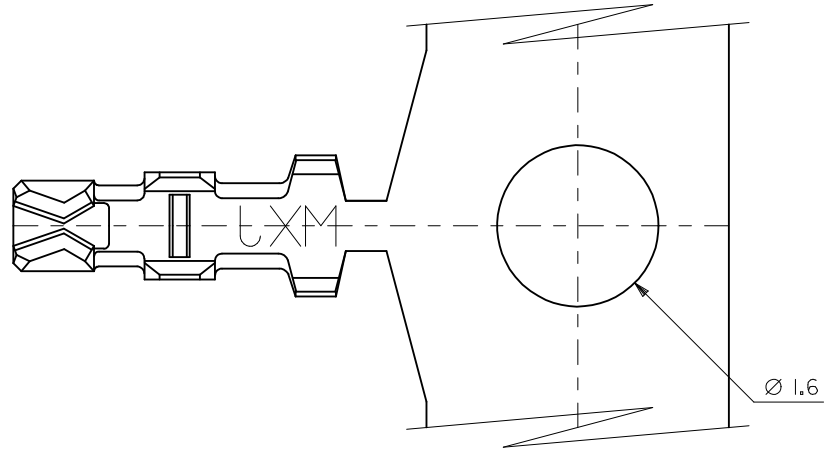
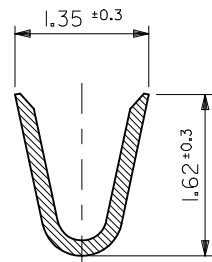


注記
NOTES

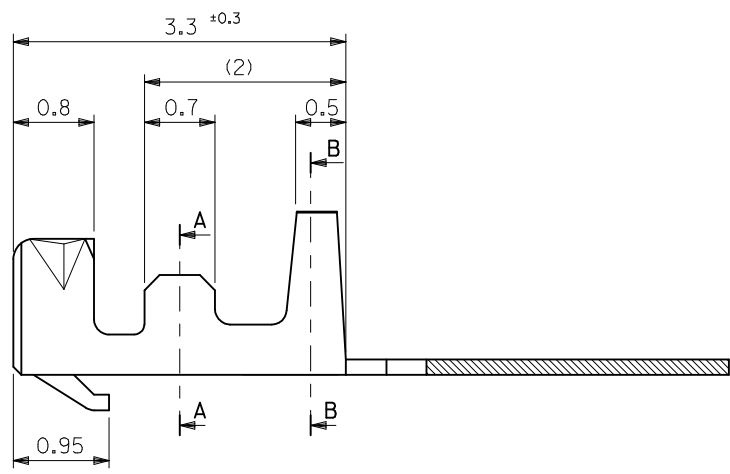
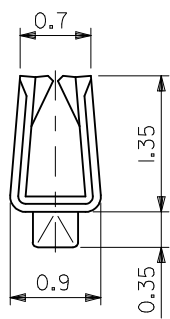
- 適合ハウジング：51021シリーズ
APPLICABLE HOUSING : 51021 SERIES
- メッキ仕様 PLATING
金メッキ 0.1μm MIN. (接点部)
GOLD 0.1μm MIN. (CONTACT POINT)
ニッケル下地 1μm MIN.
NICKEL(UNDER) 1μm MIN.
- ELV及びRoHS適合品
ELV AND RoHS COMPLIANT.



SECT. A-A



SECT. B-B



50058-8500	連鎖状 CHAIN
ENG. NO.	端子形状 FORM

材料 MATERIAL	リン青銅 PHOSPHOR BRONZE ($t=0.15$)
仕上げ FINISH	—
適用電線範囲 WIRE RANGE	AWG #28-32
被覆外径 INS. RANGE	$\phi 0.5-1.0$

10 UNDER ± 0.2 10 OVER 30 UNDER ± 0.25 30 OVER ± 0.3 ANGULAR $\pm 3^\circ$ DRAFT WHERE APPLICABLE MUST REMAIN WITHIN DIMENSIONS	GENERAL TOLERANCES (UNLESS SPECIFIED)		DIMENSION STYLE MM ONLY		SCALE 20:1	DESIGN UNITS METRIC	THIRD ANGLE PROJECTION
	DRAWN BY TYAJIMA01	DATE 2014/03/12	TITLE 1.25 WIRE TO BOARD CONN. CRIMP REC. TERMINAL				
	CHECKED BY KASAKAWA	DATE					
	APPROVED BY NUKITA	DATE 2014/03/13					
MATERIAL NO.	DOCUMENT NO.	SEE TABLE		SD-50058-002		SHEET NO. 1 OF 1	
SIZE A3	THIS DRAWING CONTAINS INFORMATION THAT IS PROPRIETARY TO MOLEX INCORPORATED AND SHOULD NOT BE USED WITHOUT WRITTEN PERMISSION						