



## With Knob Type RK10J/RK14J Series

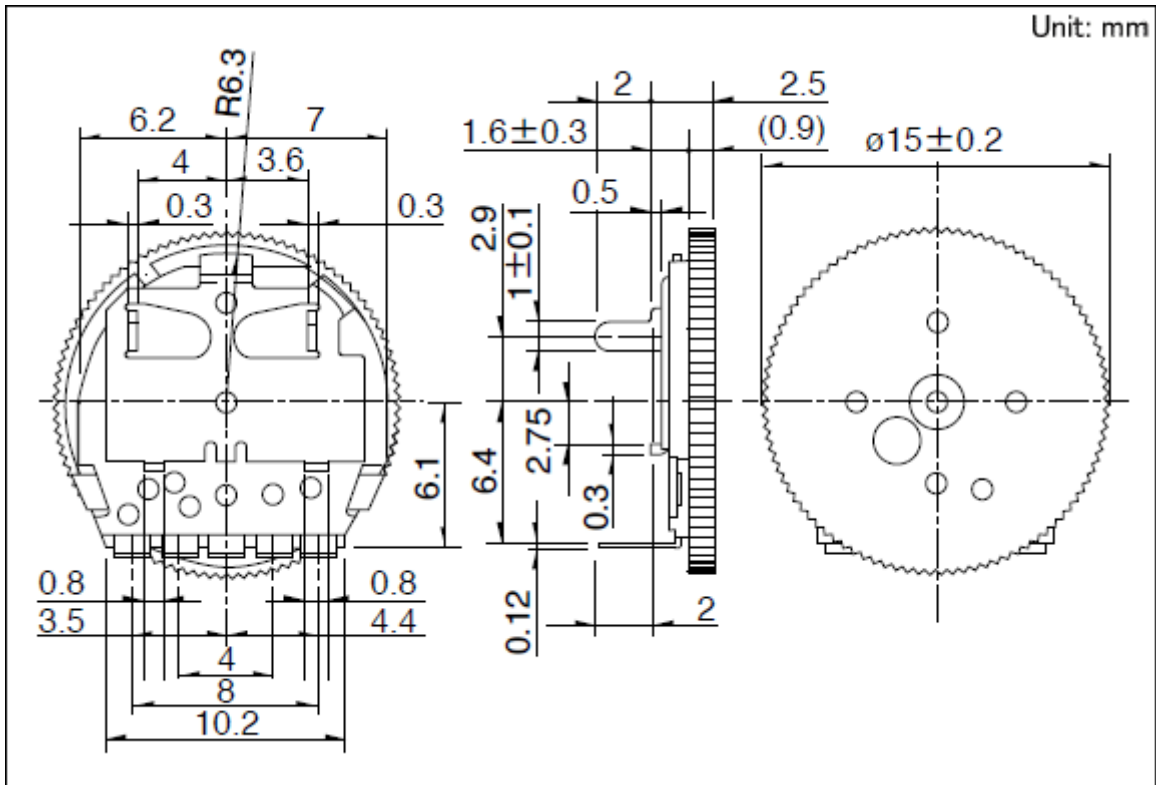
Number of resistor elements	Dual-unit	
Total resistance	50kΩ	
Resistance taper	3B	
Soldering	Manual	
Type	14mm Size	
Knob types	Outer size: φ15 Knob thickness: t0.9mm Color: Black	
Mounting board types	Insertion (t: 2mm)	
For DC use	Not applicable	
Operating temperature range	-25°C to +70°C	
Electrical Performance	Total resistance tolerance	±30%
	Rated power	0.03W
	Maximum operating voltage	50V AC
	Maximum attenuation	80dB min.
	Insulation resistance	100MΩ min. 100V DC
	Voltage proof	100V AC for 1 minute
Mechanical Performance	Total rotational angle	270°±5°
	Rotational torque	1 to 10mN·m
	Stopper strength	70mN·m
	Push-pull strength	5N
	Vibration	10 to 55 to 10Hz/min., the amplitude is 1.5mm for all the frequencies, in the 3 direction of X, Y and Z and for 2 hours respectively

Durability	Operating life	10,000 cycles
------------	----------------	---------------

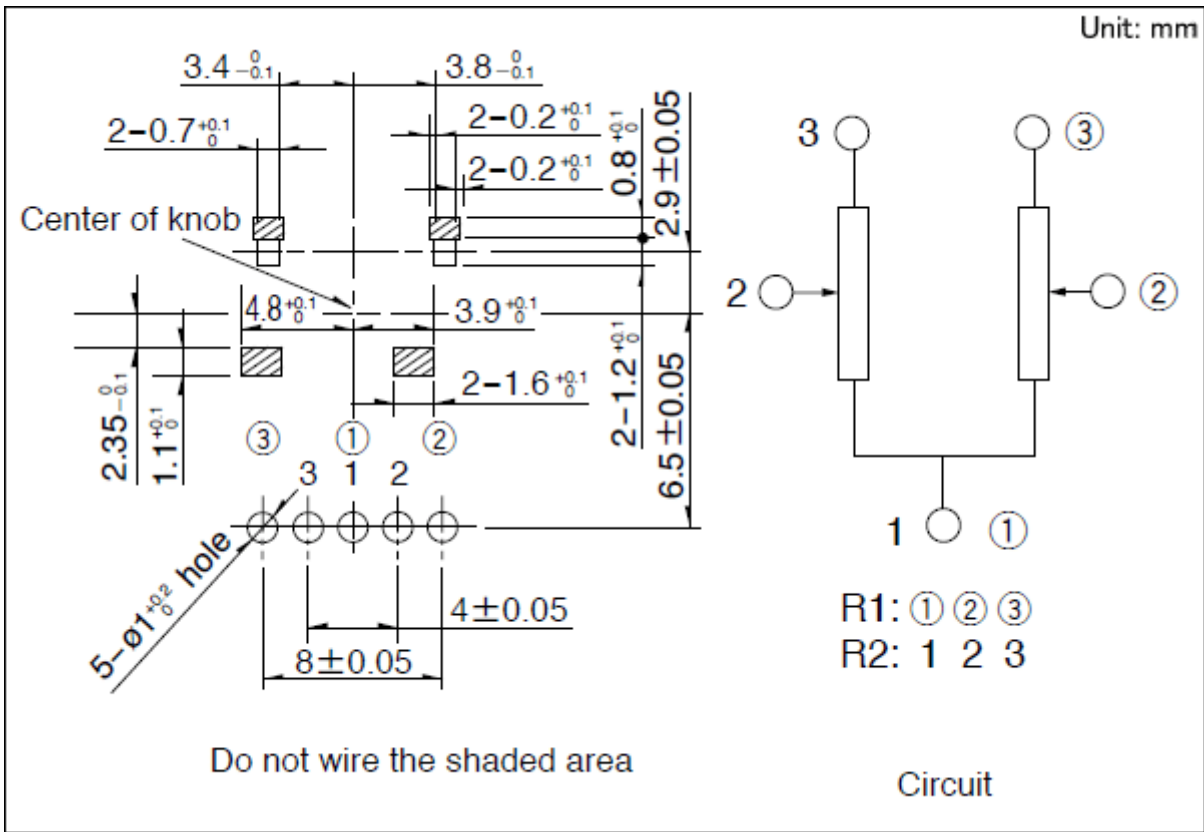
Minimum order unit (pcs.)	Japan	1,200
------------------------------	-------	-------

Export	2,400
--------	-------

## Dimensions

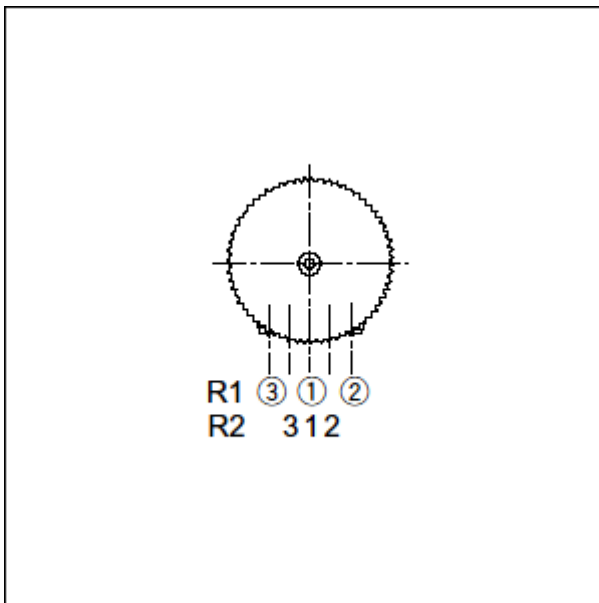


## Mounting Hole Dimensions

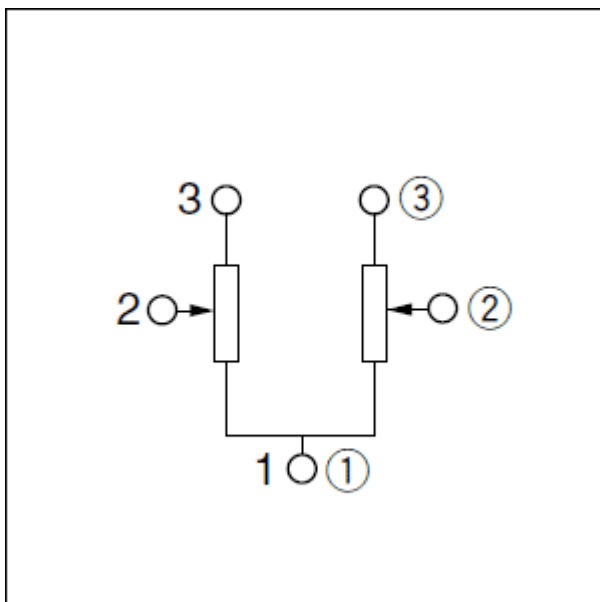


Viewed from mounting side.

### Terminal Layout



### Circuit Diagram



## Packing Specifications

### Bulk

Number of packages (pcs.)	1 case / Japan	1,200
	1 case / export packing	2,400
Export package measurements (mm)		379×259×206

## Soldering Conditions

### Reference for Dip Soldering

Preheating	Soldering surface temperature	80 to 120°C max.
	Heating time	70±30s
Dip soldering	Soldering temperature	260°C±5°C max.
	Soldering time	4±1s
No. of solders		1 time

### Reference for Hand Soldering

Tip temperature	350°C max.
Soldering time	3s max.
No. of solders	1 time

Notes are common to this series/models.

1. This site catalog shows only outline specifications. When using the products, please obtain formal specifications for supply.
2. Please place purchase orders per minimum order unit (integer).
3. Products other than those listed in above products are also available. Please contact us for details.
4. Dip soldering can be applied to RK14J. For dip soldering applications, specify separately as "dip soldering applicable product".