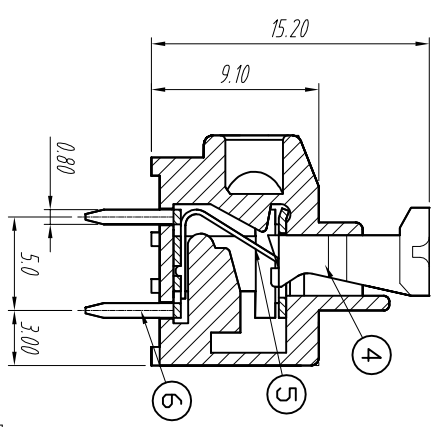
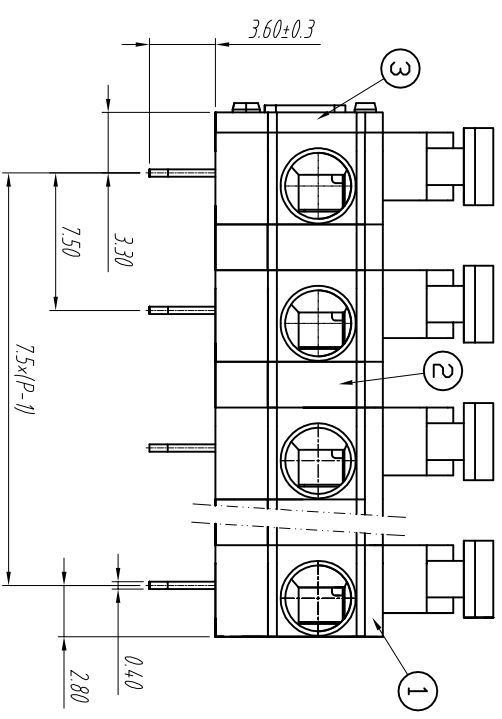
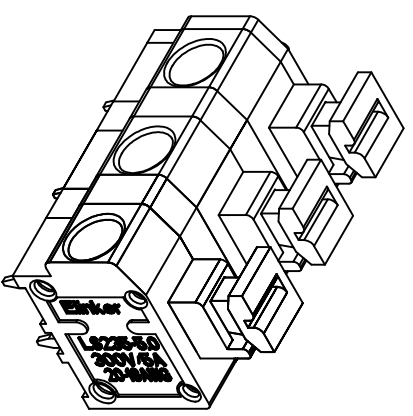
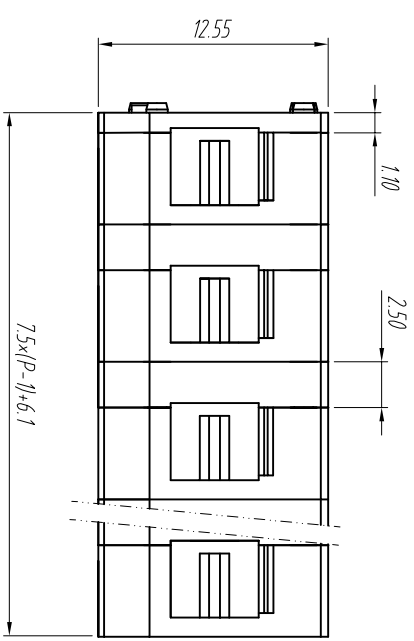


REVISION RECORD		
REV.	CONTENT	MOD.
①	新发行	



- NOTES:**
- Voltage Rating: 300V, Current Rating: 5A
 - PITCH: 7.5mm
 - Insulation Withstands Voltage: AC3000V/min
 - Insulation Resistance: 100MΩ or more at DC500V
 - Using Temperature Range: -40° C - +105° C
 - Suitable Electric Wire: AWG 20-18

技术要求:

- 额定电压: 300V, 额定电流: 5A
- 间距: 7.5mm
- 耐电压值: AC 3000V/min
- 绝缘电阻: 100兆欧
- 使用条件: -40° - +105°
- 适用线规: AWG 20-18

TOLERANCES EXCEPT AS NOTED

	linear dimension	fillet	chamfer	short angle side	□	∥	⊥
variable range	6 over to 30 over to 120 over to 480	all	6 over to 6	10 over to 50 over to 120	5 over to 5	30 over to 120	120 over to 120
Tolerance	±0.1	±0.2	±0.3	±0.5	±0.9	±0.2	±0.5

6	LS235-7.5-焊脚	3001B0010V	P	黄铜		镀锌/镀锌	
5	LS235-7.5-焊片	F000000080V	P	SUS301		不锈钢	
4	LS235-7.5-按钮	3001D10010V	P	PA6-VO		灰色	
3	LS235-1.1-盖板	3001C1001AV	1	PA6-VO		灰色	
2	LS235-2.5-隔板	3001H1001AV	P	PA6-VO		灰色	
1	LS235-5.0-主体	3001A1001AV	P	PA6-VO		灰色	
NO.	NAME OF PART	NO. OF PART	Q'TY	MATERIAL	NOTES		
DES.	xulimin	DATE	11/03/14	UNITS	MM	THIRD ANGLE PROJECTION	
CHK.	DATE	SIZE	A4	SCALE	5:1	DWG NO.	
APP.	DATE	SCALE	5:1	DWG NO.		SP-1-3001001	
						TITLE	LS235-7.5-XP-110-00A
							LS235-7.5

上海联捷电气有限公司
Shanghai Blinker Electric Co., Ltd