



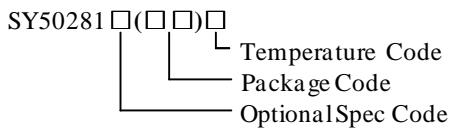
Application Note: AN_SY50281

Buck Regulator with CC/CV control

General Description

The SY50281 is a PWM controller with several features to enhance performance of Buck converters. It integrates a MOSFET with 500V breakdown voltage to decrease physical volume. Both current and voltage regulation are achieved by the controller. It drives the Buck converter in the quasi-resonant mode to achieve higher efficiency and better EMI performance.

Ordering Information



Ordering Number	Package type	Note
SY50281AAC	SOT23-5	----

Features

- Integrated 500V MOSFET
- CC/CV control eliminates Aux-winding
- Quasi-Resonant (QR) mode to achieve low switching losses
- Fast Startup (<500ms)
- Low start up current: 15 μ A typical
- Maximum frequency limit: 45kHz
- Compact package: SOT23-5

Applications

- Power supply for small appliance

Recommended operating output power @ V _{OUT} =12V	
Products	90~264Vac
SY50281	2.4W

Typical Applications

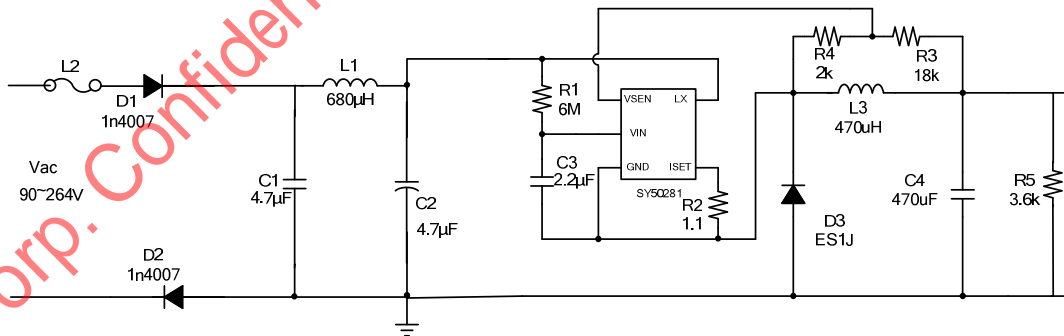
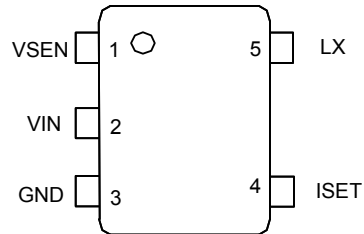


Figure 1. Schematic Diagram

Pinout (top view)

(SOT23-5)
Top Mark: ZRxyz (device code: ZR, *x*=year code, *y*=week code, *z*=lot number code)

Pin Name	Pin number	Pin Description
VSEN	1	Voltage sense pin. Connect to a resistor divider of inductor or auxiliary winding to sense output voltage.
VIN	2	Power supply pin.
GND	3	Ground Pin.
ISET	4	Current set pin. Connect a resistor to program the reference output current. $I_o = \frac{V_{REF}}{2R_{ISET}}$
LX	5	Internal HV MOSFET drain pin.

Absolute Maximum Ratings (Note 1)

ISET	-----	-0.3V~3.6V
VIN, VSEN	-----	-0.3V~17V
I _{VIN}	-----	-20mA
I _{LX}	-----	1.4A
LX	-----	500V
Power Dissipation, @ TA = 25°C SO-8	-----	1.1W
Package Thermal Resistance (Note 2)		
SOT23-5, θ _{JA}	-----	88°C/W
SOT23-5, θ _{JC}	-----	45°C/W
Maximum Junction Temperature	-----	160°C
Lead Temperature (Soldering, 10 sec.)	-----	260°C
Storage Temperature Range	-----	-65°C to 150°C

Recommended Operating Conditions (Note 3)

VIN	-----	8V~15.4V
Junction Temperature Range	-----	-40°C to 125°C

Block Diagram

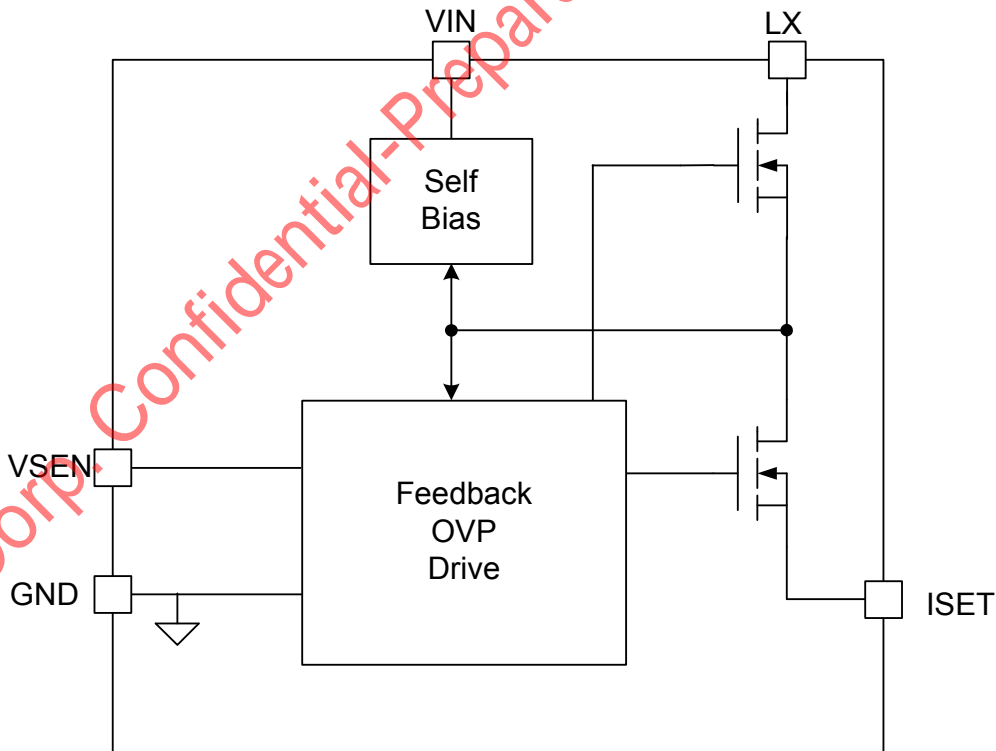


Figure2. Block Diagram



Electrical Characteristics

($V_{IN} = 12V$ (Note 3), $T_A = 25^\circ C$ unless otherwise specified)

Parameter	Symbol	Test Conditions	Min	Typ	Max	Unit
Power Supply Section						
VIN turn-on threshold	$V_{VIN,ON}$			14		V
VIN turn-off threshold	$V_{VIN,OFF}$			7		V
Start up current	I_{ST}			15		μA
VSEN pin Section						
VSEN pin over voltage	$V_{VSEN,OVP}$			$V_{VSEN,REF} \times 1.05$		V
VSEN pin reference voltage	$V_{VSEN,REF}$		1.215	1.25	1.285	V
Driver Section						
Min ON Time	$t_{ON,MIN}$			300		ns
Max ON Time	$t_{ON,MAX}$			25		μs
Min OFF Time	$t_{OFF,MIN}$			1.8		μs
Max OFF Time	$t_{OFF,MAX}$			150		μs
Max switching frequency	f_{MAX}			45		kHz
ISET pin Section						
Current reference	V_{REF}		620	675	710	mV
Integrated MOSFET Section						
BV of HV MOSFET	V_{BV}		500			V
Turn on Resistor	R_{dson}			12		
Thermal Section						
Thermal Shutdown Temperature	TSD			150		C

Note 1: Stresses beyond the “Absolute Maximum Ratings” may cause permanent damage to the device. These are stress ratings only. Functional operation of the device at these or any other conditions beyond those indicated in the operational sections of the specification is not implied. Exposure to absolute maximum rating conditions for extended periods may affect device reliability.

Note 2: θ_{JA} is measured in the natural convection at $T_A = 25^\circ C$ on a low effective single layer thermal conductivity test board of JEDEC 51-3 thermal measurement standard. Test condition: Device mounted on 2” x2” FR-4 substrate PCB, 2oz copper, with minimum recommended pad on top layer and thermal vias to bottom layer ground plane.

Note 3: Increase VIN pin voltage gradually higher than $V_{VIN,ON}$ voltage then turn down to 12V.

Operation

The SY50281 is a high performance controller with constant current and constant voltage.

It integrates a 500V MOSFET to decrease physical volume.

In order to reduce the switching losses and improve EMI performance, Quasi-Resonant switching mode is applied, which means to turn on the power MOSFET at valley of drain voltage; the start up current of SY50281 is rather small (15μA typically) to reduce the standby power loss further; the maximum switching frequency is clamped to 45kHz to reduce switching losses and improve EMI performance when the converter is operated at light load condition.

SY50281 provides reliable protections such as Short Circuit Protection (SCP), Over Voltage Protection (OVP), Over Temperature Protection (OTP), etc.

SY50281 is available with SOT23-5 package.

Applications Information

Start up

After AC supply or DC BUS is powered on, the capacitor C_{VIN} across VIN and GND pin is charged up by BUS voltage through a start up resistor R_{ST} . Once V_{VIN} rises up to V_{VIN-ON} , the internal blocks start to work. V_{VIN} will be pulled down by internal consumption of IC until the Buck inductor could supply enough energy to maintain V_{VIN} above $V_{VIN-OFF}$.

The whole start up procedure is divided into two sections shown in Fig.3. t_{STC} is the C_{VIN} charged up section, and t_{STO} is the output voltage built-up section. The start up time t_{ST} composes of t_{STC} and t_{STO} , and usually t_{STO} is much smaller than t_{STC} .

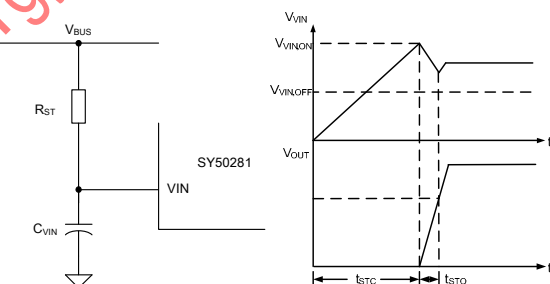


Fig.3 Start up

The start up resistor R_{ST} and C_{VIN} are designed by rules below:

(a) Preset start-up resistor R_{ST} , make sure that the current through R_{ST} is larger than I_{ST} and smaller than $I_{VIN-OVP}$

$$R_{ST} < \frac{V_{BUS}}{I_{ST}} \quad (1)$$

Where V_{BUS} is the BUS line voltage.

(b) Select C_{VIN} to obtain an ideal start up time t_{ST} , and ensure the output voltage is built up at one time.

$$C_{VIN} = \frac{(\frac{V_{BUS}}{R_{ST}} - I_{ST}) \times t_{ST}}{V_{VIN-ON}} \quad (2)$$

(c) If R_{ST} and C_{VIN} are chosen to a very small start up time, SCP and OVP power loss will be large. Then C_{VIN} and R_{ST} time constant should be increased.

Proprietary self-bias technique allows C_{VIN} to be charged every switching cycle. There is no need to add auxiliary winding for power supply. C_{VIN} can be chosen with small value and small package to save cost

Shut down

After AC supply or DC BUS is powered off, the energy stored in the BUS capacitor will be discharged. When power supply for IC is not enough, V_{VIN} will drop down. Once V_{VIN} is below $V_{VIN-OFF}$, the IC will stop working.

Quasi-Resonant Operation

QR mode operation provides low turn-on switching losses for Buck converter.

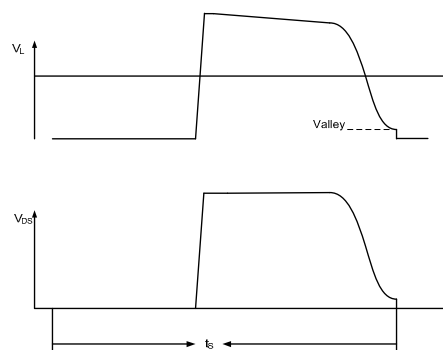


Fig.4 QR mode operation

ZCS pin detects the inductor voltage by a resistor divider. When the voltage across drain and source of the integrated MOSFET is at voltage valley, the MOSFET would be turned on.

Output Voltage Control

In order to achieve constant voltage control. The output voltage is sampled by detecting the inductor voltage.

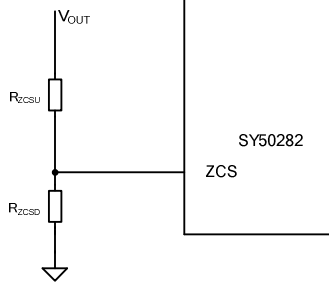


Fig.5 ZCS pin connection

As shown in Fig.6, during OFF time, the voltage across the inductor is

$$V_L = V_{OUT} + V_{D,F} \quad (3)$$

$V_{D,F}$ is the forward voltage of the power diode; V_L is the voltage across the inductor.

At the current zero-crossing point, $V_{D,F}$ is nearly zero, so V_{OUT} is proportional with V_L exactly. The voltage of this point is sampled by the IC as the feedback of output voltage. The resistor divider is designed by.

$$\frac{V_{ZCS_REF}}{V_{OUT}} = \frac{R_{ZCSD}}{R_{ZCSU} + R_{ZCSD}} \quad (4)$$

Where V_{ZCS_REF} is the internal voltage reference.

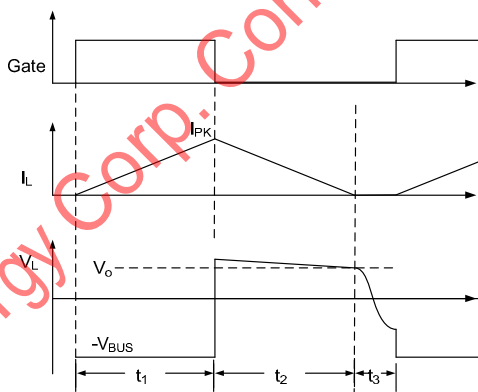


Fig.6 inductor voltage waveforms

Constant-current control

The switching waveforms are shown in Fig.7. The output current I_{OUT} can be represented by,

$$I_{OUT} = \frac{I_{PK}}{2} \times \frac{t_{EFF}}{t_s} \quad (5)$$

Where I_{PK} is the peak current of the inductor; t_{EFF} is the effective time of inductor current rising and falling; t_s is the switching period.

I_{PK} and t_{EFF} can be detected by ISET and VSEN pin, which is shown in Fig.7. These signals are processed and applied to the negative input of the gain modulator. In static state, the positive and negative inputs are equal.

$$V_{REF} = I_{PK} \times R_{ISET} \times K \times \frac{t_{EFF}}{t_s} \quad (6)$$

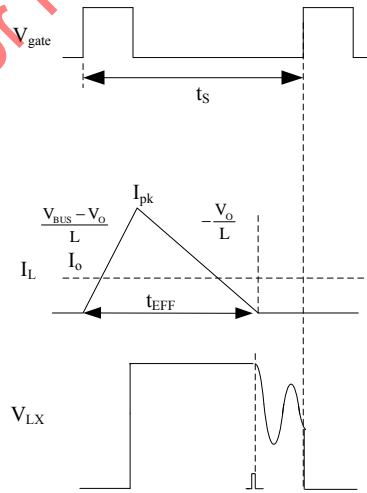


Fig.7 switching waveforms

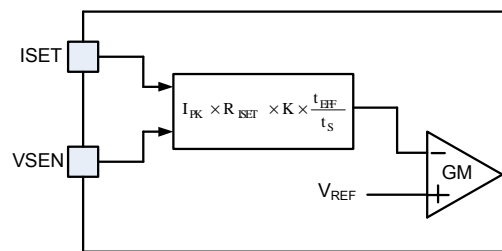


Fig.8 Output current detection diagram

Finally, the output current I_{OUT} can be represented by

$$I_o = \frac{V_{REF}}{2R_{ISET}} \quad (7)$$

Where V_{REF} is the internal reference voltage; R_{ISET} is the current set resistor. I_{OUT} can be programmed by R_{ISET} .

$$R_{ISET} = \frac{V_{REF}}{2I_{OUT}} \quad (8)$$

When over current operation or short circuit operation happens, the output current will be limited at $I_{OUT,LIM}$. The V-I curve is shown as Fig.9.

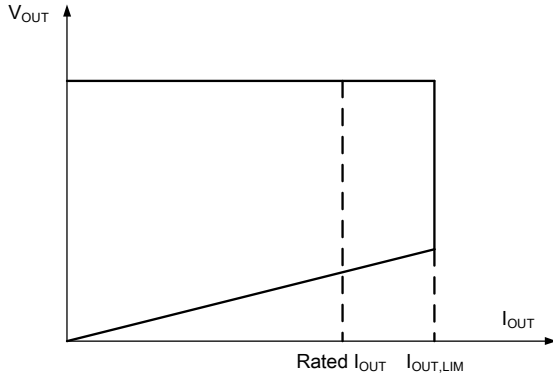


Fig.9 V-I curve

Line regulation modification

The IC provides line regulation modification function to improve line regulation performance.

Due to the sample delay of ISET pin and other internal delay, the output current increases with increasing input BUS line voltage. A small compensation voltage $\Delta V_{ISET,C}$ is added to ISET pin during ON time to improve such performance. This $\Delta V_{ISET,C}$ is adjusted by the upper resistor of the divider connected to VSEN pin.

$$\Delta V_{ISET,C} = (V_{BUS} - V_O) \times \frac{k_1}{R_{ZCSU}} \times R_{ISET} \quad (8)$$

Where R_{ZCSU} is the upper resistor of the divider; k_1 is an internal constant as the modification coefficient.

The compensation is mainly related with R_{ZCSU} , larger compensation is achieved with smaller R_{ZCSU} .

Short Circuit Protection (SCP)

When the output is shorted, demagnetizing voltage of inductor is zero, so t_{OFF} will be clamped at $t_{OFF,MAX}$, when $t_{OFF,MAX}$ shows up for 64 times, SCP is triggered and the IC will discharge V_{VIN} by an internal current source $I_{VIN,SCP}$. Once V_{VIN} is below $V_{VIN,OFF}$, the IC will shut down and be charged again by BUS voltage through start

up resistor. If the short circuit condition still exists, the system will operate in hiccup mode.

Power design

A few applications are shown as below.

Input range	Output	
90Vac~264Vac	2.4W	12V/0.2A

Power Device Design

MOSFET and Diode

When the operation condition is with maximum input voltage and full load, the voltage stress of the integrated MOSFET and output power diode is maximized;

$$V_{MOS,DS,MAX} = \sqrt{2}V_{AC,MAX} \quad (9)$$

$$V_{D,R,MAX} = \sqrt{2}V_{AC,MAX} \quad (10)$$

Where $V_{AC,MAX}$ is maximum input AC RMS voltage.

When the operation condition is with minimum input voltage and full load, the current stress of MOSFET and power diode is maximized.

Inductor (L)

In Quasi-Resonant mode, each switching period cycle t_s consists of three parts: current rising time t_1 , current falling time t_2 and quasi-resonant time t_3 shown in Fig.11.

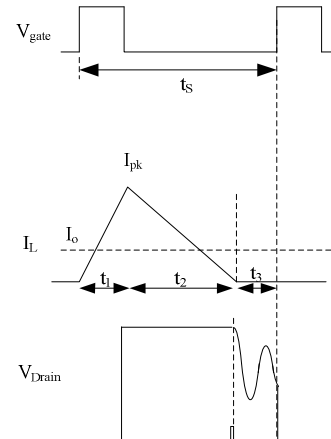


Fig.11 switching waveforms

When the operation condition is with minimum input AC RMS voltage and full load, the switching frequency is minimum frequency, the maximum peak current through integrated MOSFET and the transformer happens.

Once the minimum frequency f_{S_MIN} is set, the inductance of the transformer could be induced. The design flow is shown as below:

(a) Preset minimum frequency f_{S_MIN}

(b) Compute relative t_s, t_1

$$t_s = \frac{1}{f_{S_MIN}} \quad (11)$$

$$t_1 = \frac{t_s \times (V_{OUT} + V_{DF})}{(\sqrt{2}V_{AC_MIN} + V_{DF})} \quad (12)$$

$$t_2 = t_s - t_1 \quad (13)$$

Where V_{DF} is the forward voltage of the diode

(c) Compute inductor L and maximum peak current I_{PK} .

$$I_{L_PK_MAX} = 2 \times I_O \quad (14)$$

$$L = \frac{(\sqrt{2}V_{AC_MIN} - V_O) \times t_1}{I_{L_PK_MAX}} \quad (15)$$

(f) Compute RMS current of the inductor

$$I_{L_RMS_MAX} = \frac{I_{L_PK_MAX}}{\sqrt{3}} \quad (16)$$

(g) Compute RMS current of the MOSFET

$$I_{MOS_RMS_MAX} = I_{L_PK_MAX} \times \sqrt{\frac{t_1}{3t_s}} \quad (17)$$

inductor design (N)

the parameters below are necessary:

Necessary parameters	
Inductance	L
inductor maximum current	$I_{L_PK_MAX}$
inductor maximum RMS current	$I_{L_RMS_MAX}$

The design rules are as followed:

(a) Select the magnetic core style, identify the effective area A_e .

(b) Preset the maximum magnetic flux ΔB

$$\Delta B = 0.22 \sim 0.26T$$

(c) Compute inductor turn N

$$N = \frac{L \times I_{L_PK_MAX}}{\Delta B \times A_e} \quad (18)$$

(d) Select an appropriate wire diameter

With $I_{L_RMS_MAX}$, select appropriate wire to make sure the current density ranges from $4A/mm^2$ to $10A/mm^2$.

(c) If the winding area of the core and bobbin is not enough, reselect the core style, go to (a) and redesign the transformer until the ideal transformer is achieved.

Input capacitor C_{BUS}

Generally, the input capacitor C_{BUS} is selected by

$$C_{BUS} = 1 \sim 3 \mu F / W$$

Or more accurately by

$$C_{BUS} = \frac{\arcsin\left(1 - \frac{\Delta V_{BUS}}{\sqrt{2}V_{AC_MIN}}\right) + \frac{\pi}{2}}{\pi} \times \frac{P_{OUT}}{\eta} \times \frac{1}{2f_{IN} V_{AC_MIN}^2 \left[1 - \left(1 - \frac{\Delta V_{BUS}}{\sqrt{2}V_{AC_MIN}}\right)^2\right]} \quad (19)$$

Where ΔV_{BUS} is the voltage ripple of BUS line.

Layout

(a) To achieve better EMI performance and reduce line frequency ripples, the output of the bridge rectifier should be connected to the BUS line capacitor first, then to the switching circuit.

(b) The circuit loop of all switching circuit should be kept small.

(c) bias supply trace should be connected to the bias supply capacitor first instead of GND pin. The bias supply capacitor should be put beside the IC.

(d) Loop of 'Source pin – current sample resistor – GND pin' should be kept as small as possible.

(e) The resistor divider connected to ZCS pin is recommended to be put beside the IC.

(f) The control circuit is recommended to be put outside the power circuit loop.

Design Example1

Design Specification			
V _{AC} (RMS)	90V~264V	V _{OUT}	12V
I _{OUT}	200mA	η	70%(full load)
Inductor (Buck)	470uH	R _{SET}	1.1Ohm
C _{INPUT}	11.5uF	C _{OUTPUT}	470 uF
R _{ZCSU}	38kΩ	R _{ZCSD}	4.3k
Rload	3.6kΩ		

Design Example2

Design Specification			
V _{AC} (RMS)	90V~264V	V _{OUT}	12V
I _{OUT}	100mA	η	70%(full load)
Inductor (Buck)	1mH	R _{SET}	1.1Ohm
C _{INPUT}	5.5uF	C _{OUTPUT}	330 uF
R _{ZCSU}	38kΩ	R _{ZCSD}	4.3k
Rload	3.6kΩ		

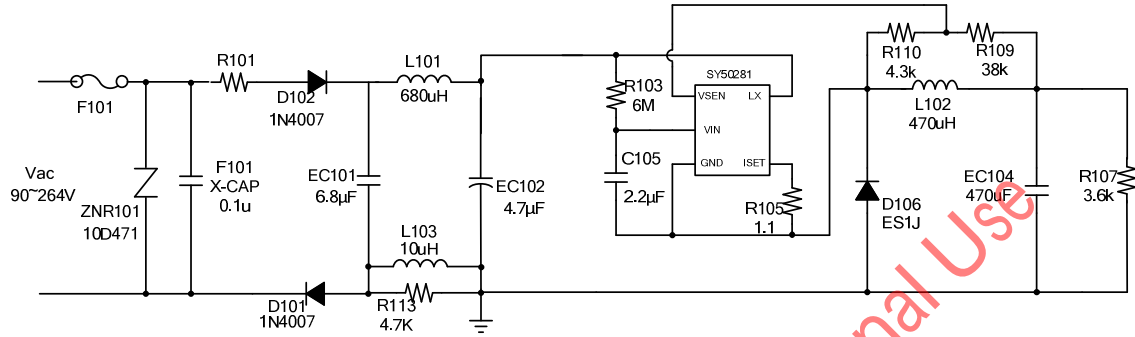
Design Example3

Design Specification			
V _{AC} (RMS)	90V~264V	V _{OUT}	5V
I _{OUT}	200mA	η	70%(full load)
Inductor (Buck)	680uH	R _{SET}	0.9Ohm
C _{INPUT}	5.5uF	C _{OUTPUT}	470uF
R _{ZCSU}	14.3kΩ	R _{ZCSD}	4.3k
Rload	1kΩ		

Design Example4

Design Specification			
V _{AC} (RMS)	90V~264V	V _{OUT}	5V
I _{OUT}	100mA	η	70%(full load)
Inductor (Buck)	1mH	R _{SET}	1.1Ohm
C _{INPUT}	2.2uF	C _{OUTPUT}	100uF
R _{ZCSU}	14.3kΩ	R _{ZCSD}	4.3k
Rload	1kΩ		

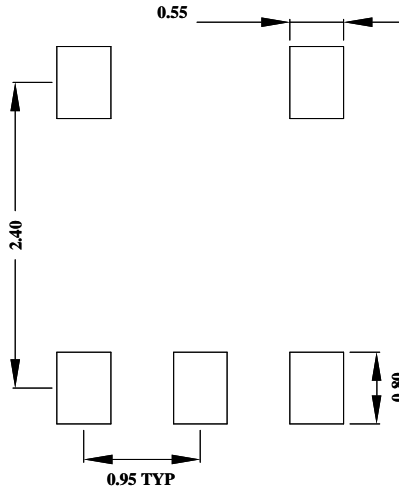
Circuit schematic



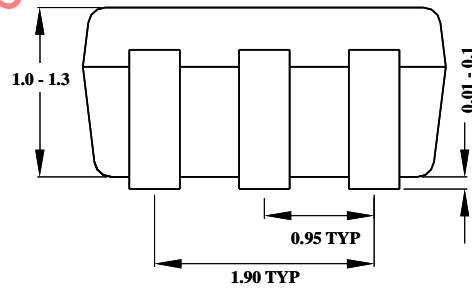
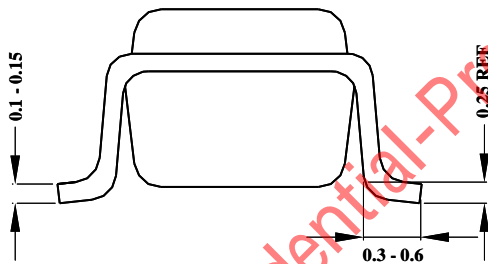
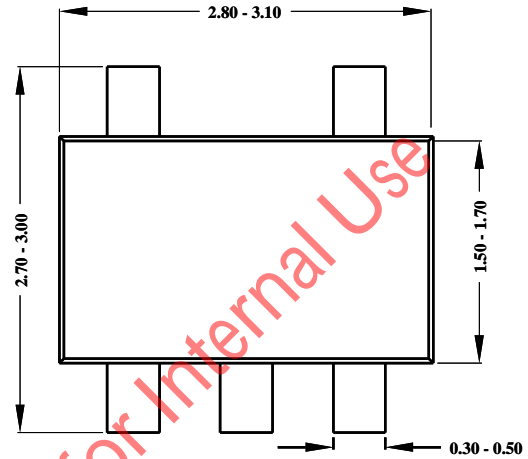
Example for 12V/0.2A

Silergy Corp. Confidential-Prepared for Internal Use

SOT23-5 Package outline & PCB layout design



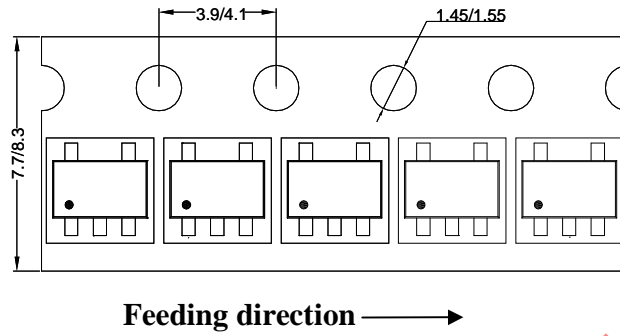
Recommended Pad Layout



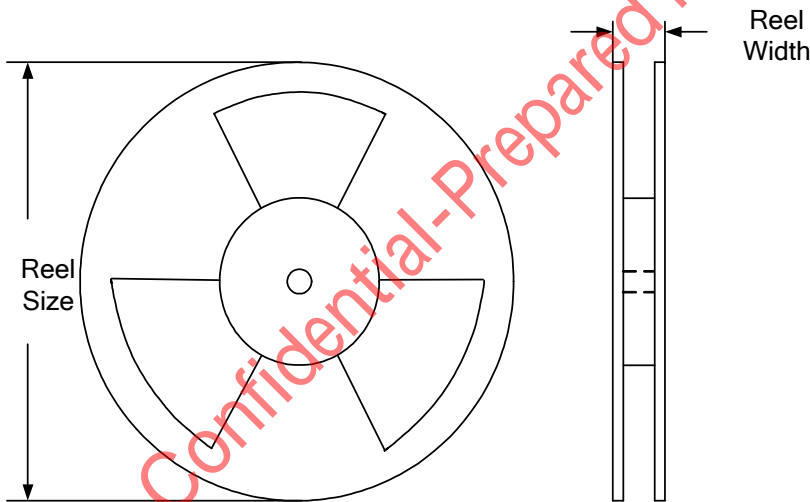
**Notes: All dimensions are in millimeters.
All dimensions don't include mold flash & metal burr.**

Taping & Reel Specification

1. SOT23-5 taping orientation



2. Carrier Tape & Reel specification for packages



Package types	Tape width (mm)	Pocket pitch(mm)	Reel size (Inch)	Reel width(mm)	Trailer length(mm)	Leader length (mm)	Qty per reel
SOT23-5	8	4	7"	8.4	280	160	3000

3. Others: NA