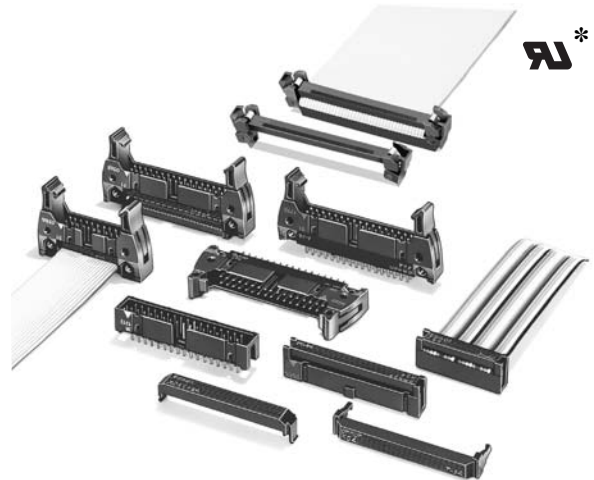


The Mainstream of Circuit Board Connectors conforming MIL Standards with Improved Design.

- Our new production system improves reliability.
- Space-saving Box-type Plugs (XG4C) available.
- IDC Plugs (XG4E) can be used for relaying.
- An endless number of combinations can be made using the XG-5 IDC Connectors for discrete wires, XG8 Original Plugs, and the XG2 IDC Connectors for PCBs.
- The Original Plugs (XG8) and the Box-type Plugs (XG4C) can be locked using Lock Levers.
- Conform to MIL standards (MIL-C-83503).
- UL standards (file No. E103202) (All XG4 models except those with XG4U)



* Excluding XG4U

RoHS Compliant

Terminology

MIL standard

Abbreviation for Military Standard. To unify the compatibility and quality assurance condition of each company, MIL-C-83503 (applicable to connectors) was established in 1977.

Open-end cover

An open-end cover has a structure where a flat cable can be pulled out from both sides of the cover when a cable is attached to a connector. (The cover having a structure where a flat cable can be pulled out from only one side of the cover is called a "Closed-end cover.")

Standoff

Part provided for lifting the housing from the board (This part improves airflow at the through-hole for better assembly.)

Ordering Information

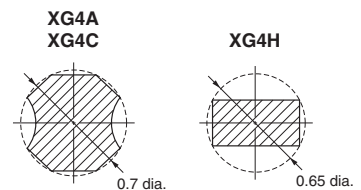
| Model | XG4M XG4M-U | XG4M XG4T | XG4A | XG4A | XG4E XG4S | XG4C | XG4H |
|------------|--|------------------------------------|---------------|---------------------------|----------------------------------|--------------------|----------------------------|
| Appearance | MIL sockets with strain relief (with lock) | MIL sockets with strain relief | MIL plugs | Plugs with dual ports | IDC plugs with strain relief | Box-type plugs | Board-to-board sockets |
| Page | 3 | 4 | 5 to 10 | 11 to 12 | 13 to 14 | 15 to 16 | 17 to 18 |

Ratings and Characteristics

| Item | MIL Sockets: XG4M Relay Plug: XG4E | MIL Plugs: XG4A Box-type Plugs: XG4C Board-to-board Sockets: XG4H |
|-------------------------------|---|---|
| Rated current | 1 A | 3 A (See note 1.) |
| Rated voltage | 250 VAC | 300 VAC |
| Contact resistance | 20 mΩ max. (at 20 mV, 100 mA max.) | |
| Insulation resistance | 1,000 MΩ min. (at 500 VDC) | |
| Dielectric strength | 500 VAC for 1 min (leakage current: 1 mA max.) | |
| Total insertion force | 1.96 N max. per contact | |
| Removal force | 0.39 N min. (with test gauge, t= 0.64 mm) | |
| Insertion durability | 50 times | |
| Ambient operating temperature | -55 to 105°C (with no icing at low temperature) | |

Note: 1. The rated current will depend on the Socket you are using. It is 1 A using the XG4M for example.

Cross-sectional View of Terminal



■ Materials and Finish

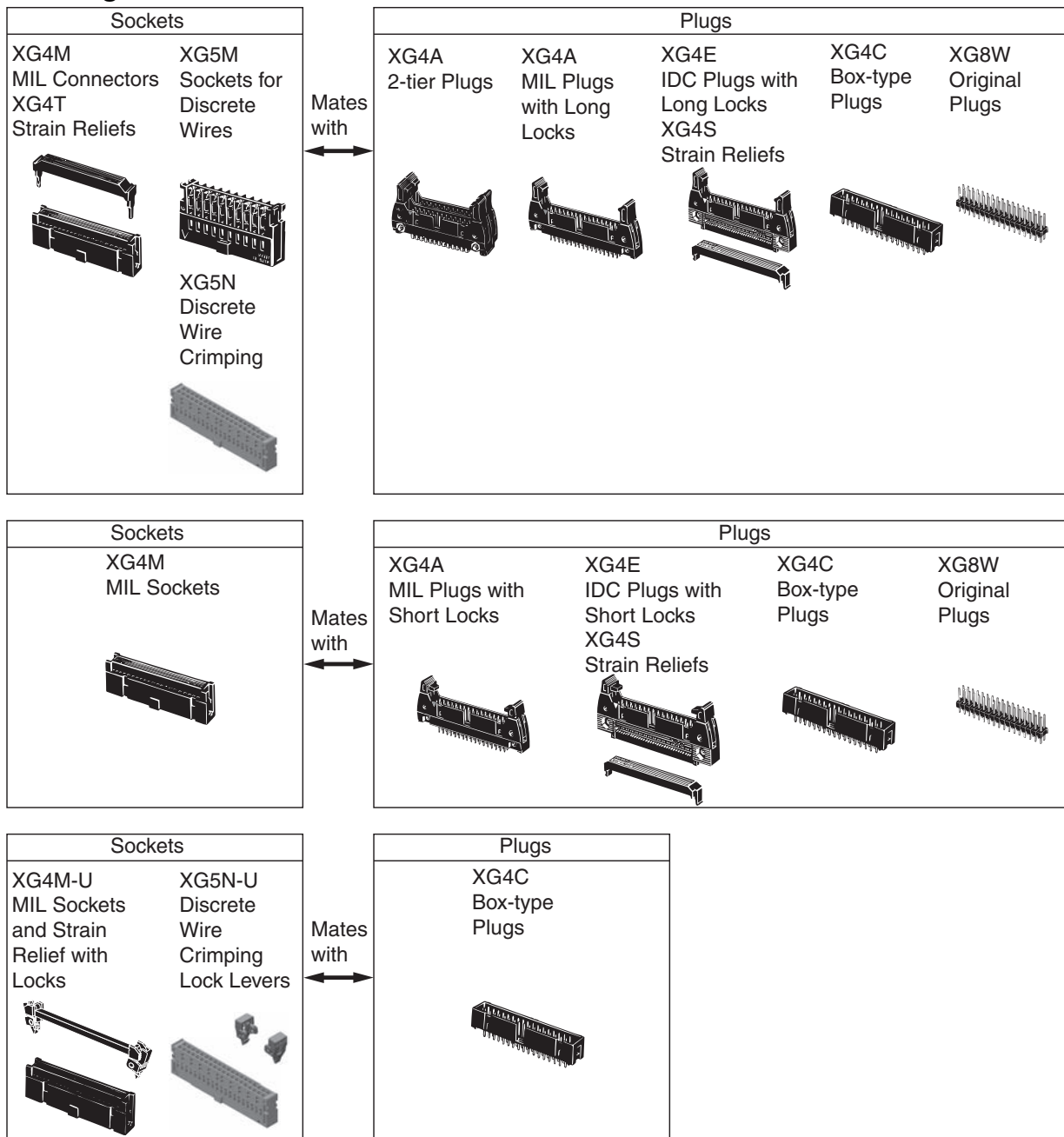
| Item | | MIL Plugs: XG4A Box-type Plugs: XG4C | IDC Plugs: XG4E (Strain Relief: XG4S) | MIL Sockets: XG4M (Strain Relief: XG4T) | Board-to-board Sockets: XG4H |
|----------------|--------------------|---|---|--|---------------------------------|
| Housings | | Fiber-glass reinforced PBT resin (UL94 V-0)/black | | | |
| Covers | | --- | Polyamide resin (UL94 V-0)/ black | Fiber-glass reinforced PBT resin (UL94 V-0)/black | --- |
| Contacts | Mating end | Brass/nickel base, 0.15- μ m gold plating | Phosphor bronze/nickel base, 0.15- μ m gold plating | | |
| | Terminal Press fit | Brass/nickel base, 2.0- μ m tin plating | Phosphor bronze/nickel base, 2.0- μ m tin plating | | |
| Strain Reliefs | | --- | Polyamide resin (UL94 V-0)/ black | Fiber-glass reinforced PBT resin (UL94 V-0)/black | --- |

■ Applicable Wires

For pressing

- 1.27-mm pitch flat cable incorporating AWG28 wires
- UL2651 (standard cable)
- UL20012 (folding cable)
- UL20028 (color-code cable)

■ Mating Combinations for XG4 and XG5



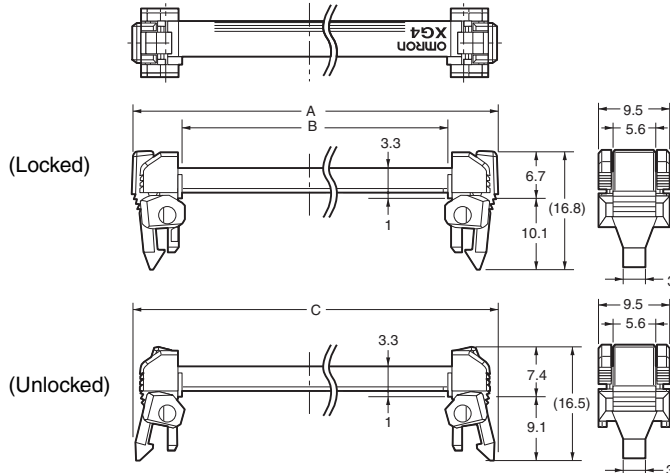
XG4M-U MIL Connectors with Socket Locks

■ Dimensions

(Unit: mm)

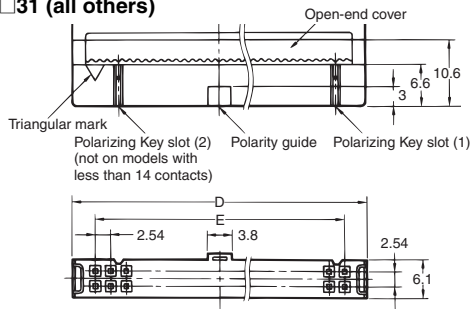
XG4U

Strain Reliefs with Locks



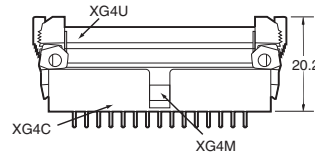
XG4M-□□30 (one polarity guide)

XG4M-□□31 (all others)

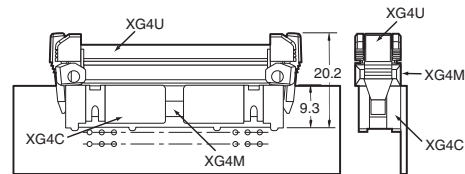


■ Mating Diagrams for XG4M

XG4U + XG4M + XG4C (with straight terminals)



XG4U + XG4M + XG4C (with right-angle terminals)



Dimensions

| No. of contacts | Dimensions (mm) | | | | |
|-----------------|-----------------|------|------|------|-------|
| | A | B | C | D | E |
| 10 | 26.8 | 13.2 | 26.2 | 17.3 | 10.16 |
| 14 | 31.8 | 18.2 | 31.2 | 22.3 | 15.24 |
| 16 | 34.4 | 20.8 | 33.8 | 24.9 | 17.78 |
| 20 | 39.5 | 25.9 | 38.9 | 30.0 | 22.86 |
| 26 | 47.1 | 33.5 | 46.5 | 37.6 | 30.48 |
| 30 | 52.2 | 38.6 | 51.6 | 42.7 | 35.56 |
| 34 | 57.2 | 43.6 | 56.6 | 47.7 | 40.64 |
| 40 | 64.9 | 51.3 | 64.3 | 55.4 | 48.26 |
| 50 | 77.6 | 64.0 | 77.0 | 68.1 | 60.96 |
| 60 | 90.3 | 76.7 | 89.7 | 80.8 | 73.66 |
| 64 | 95.3 | 81.7 | 94.7 | 85.8 | 78.74 |

■ Ordering Information

| No. of contacts | No. of polarity guides | Socket and Strain Relief Sets (See note 1.) | Socket with Open-end Cover (See note 2.) | Strain Relief with Locks |
|-----------------|------------------------|---|--|--------------------------|
| 10 | 0 | XG4M-1031-U | XG4M-1031 | XG4U-1004 |
| | 1 | XG4M-1030-U | XG4M-1030 | |
| 14 | 1 | XG4M-1430-U | XG4M-1430 | XG4U-1404 |
| 16 | 1 | XG4M-1630-U | XG4M-1630 | XG4U-1604 |
| 20 | 1 | XG4M-2030-U | XG4M-2030 | XG4U-2004 |
| 26 | 1 | XG4M-2630-U | XG4M-2630 | XG4U-2604 |
| 30 | 1 | XG4M-3030-U | XG4M-3030 | XG4U-3004 |
| 34 | 1 | XG4M-3430-U | XG4M-3430 | XG4U-3404 |
| 40 | 1 | XG4M-4030-U | XG4M-4030 | XG4U-4004 |
| 50 | 1 | XG4M-5030-U | XG4M-5030 | XG4U-5004 |
| | 2 (See note 3.) | XG4M-5031-U | XG4M-5031 | |
| 60 | 1 | XG4M-6030-U | XG4M-6030 | XG4U-6004 |
| | 2 (See note 3.) | XG4M-6031-U | XG4M-6031 | |
| 64 | 1 | XG4M-6430-U | XG4M-6430 | XG4U-6404 |
| | 2 (See note 3.) | XG4M-6431-U | XG4M-6431 | |

Note: 1. With open-end cover.

2. Strain Relief sold separately.

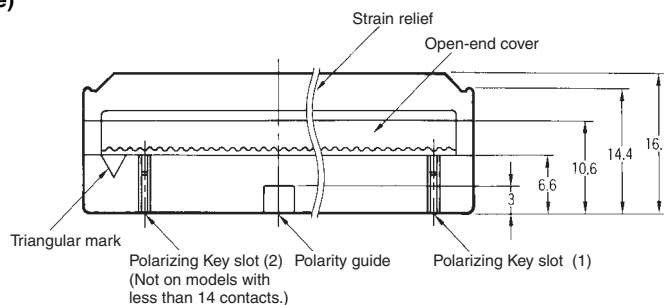
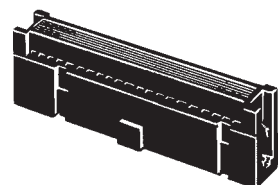
3. Polarity guide pitch is 22.86 mm.

XG4M MIL Sockets

■ Dimensions

(Unit: mm)

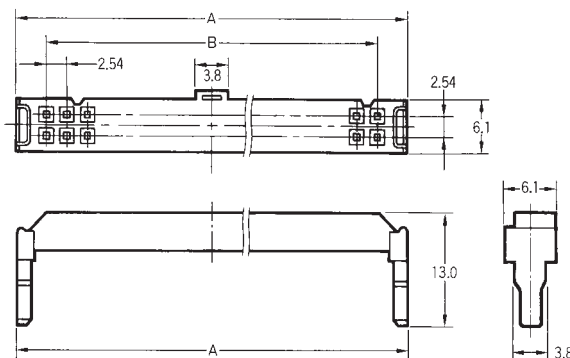
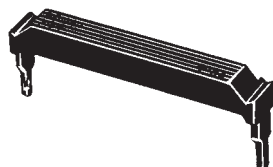
XG4M-□□30 (one polarizing guide)
XG4M-□□31 (all others)



Dimensions

| No. of contacts | Dimensions (mm) | |
|-----------------|-----------------|-------|
| | A | B |
| 10 | 17.3 | 10.16 |
| 14 | 22.3 | 15.24 |
| 16 | 24.9 | 17.78 |
| 20 | 30.0 | 22.86 |
| 26 | 37.6 | 30.48 |
| 30 | 42.7 | 35.56 |
| 34 | 47.7 | 40.64 |
| 40 | 55.4 | 48.26 |
| 50 | 68.1 | 60.96 |
| 60 | 80.8 | 73.66 |
| 64 | 85.8 | 78.74 |

XG4T-□□04
Strain Relief



XG4M-□□30-T (XG4M-□□30 + XG4T-□□04)
XG4M-□□31-T (XG4M-□□31 + XG4T-□□04)
MIL Socket and Strain Relief Sets

■ Ordering Information

| No. of contacts | No. of polarity guides | Socket and Strain Relief Set (See note 1.) | Socket with Open-end Cover (See note 2.) | Strain Relief for the XG4M |
|-----------------|------------------------|--|--|----------------------------|
| 10 | 0 | | | XG4T-1004 |
| | 1 | | | |
| 14 | 1 | | | XG4T-1404 |
| 16 | 1 | | | XG4T-1604 |
| 20 | 1 | | | XG4T-2004 |
| 26 | 1 | | | XG4T-2604 |
| 30 | 1 | | | XG4T-3004 |
| 34 | 1 | | | XG4T-3404 |
| 40 | 1 | | | XG4T-4004 |
| 50 | 1 | | | XG4T-5004 |
| | 2 (See note 3.) | | | |
| 60 | 1 | | | XG4T-6004 |
| | 2 (See note 3.) | | | |
| 64 | 1 | | | XG4T-6404 |
| | 2 (See note 3.) | | | |

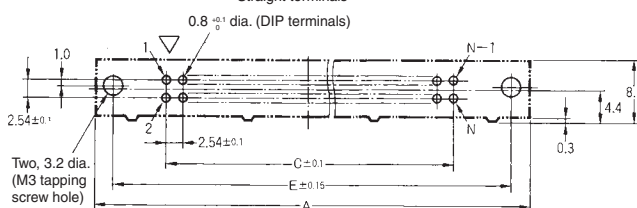
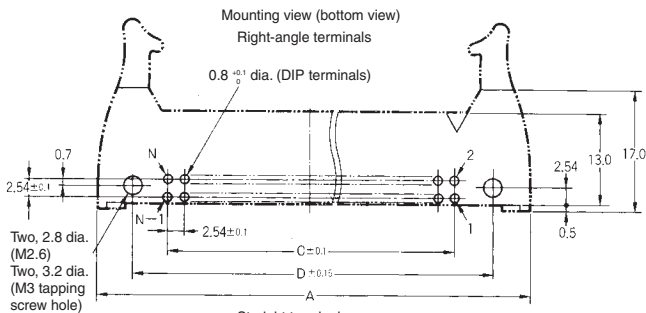
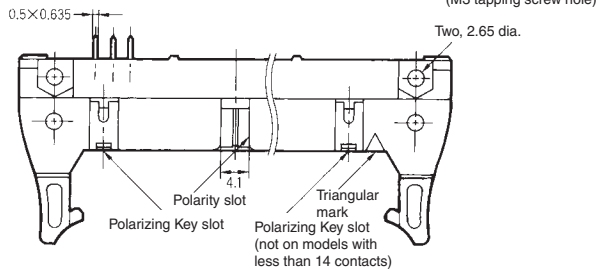
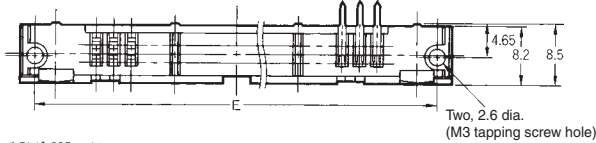
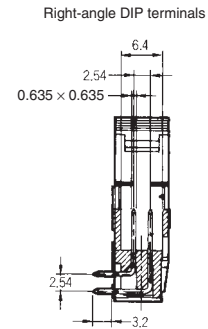
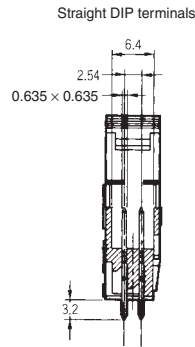
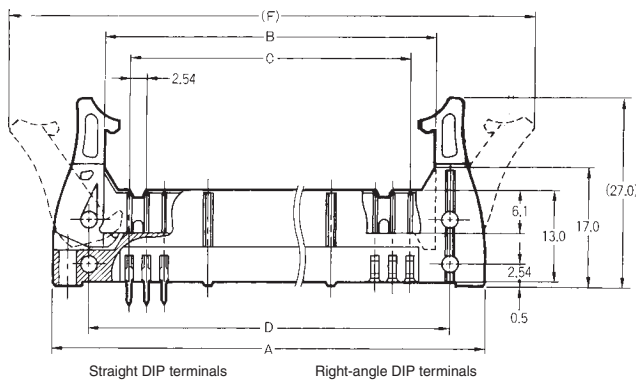
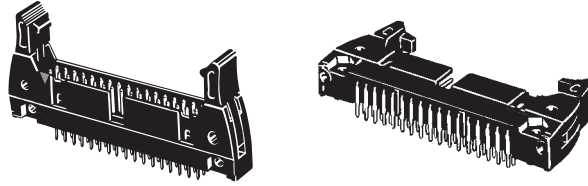
- Note:** 1. With open-end cover.
2. Strain Relief sold separately.
3. Polarity guide pitch is 22.86 mm

XG4A MIL Plugs with Long Locks (MIL Standards)

■ Dimensions

(Unit: mm)

XG4A-□□31/-□□71 (With straight DIP terminals)
 XG4A-□□34/-□□74 (With right-angle DIP terminals)



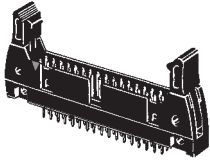
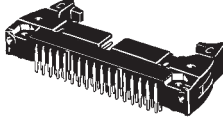
Dimensions

| No. of contacts | Dimensions (mm) | | | | | |
|-----------------|-----------------|------|-------|------|------|-------|
| | A | B | C | D | E | F |
| 10 | 32.0 | 17.5 | 10.16 | 21.8 | 27.9 | 46.4 |
| 14 | 37.1 | 22.6 | 15.24 | 26.9 | 33.0 | 51.5 |
| 16 | 39.6 | 25.2 | 17.78 | 29.5 | 35.6 | 54.1 |
| 20 | 44.7 | 30.2 | 22.86 | 34.5 | 40.6 | 59.1 |
| 26 | 52.3 | 37.9 | 30.48 | 42.2 | 48.3 | 66.8 |
| 30 | 57.4 | 42.9 | 35.56 | 47.2 | 53.3 | 71.8 |
| 34 | 62.5 | 48.0 | 40.64 | 52.3 | 58.4 | 76.9 |
| 40 | 70.1 | 55.6 | 48.26 | 59.9 | 66.0 | 84.5 |
| 50 | 82.8 | 68.3 | 60.96 | 72.6 | 78.7 | 97.2 |
| 60 | 95.5 | 81.0 | 73.66 | 85.3 | 91.4 | 109.9 |
| 64 | 100.6 | 86.1 | 78.74 | 90.4 | 96.5 | 115.0 |

Note: See page 16 for details on the availability (10-contact Connectors) and pitch (with 50, 60, or 64-contact Connectors) of polarity slots.

■ Ordering Information

Use in Combination with Strain-relief Sockets.

| No. of contacts | No. of polarizing slots | Plugs with straight DIP terminals | Plugs with right-angle DIP terminals |
|-----------------|-------------------------|---|--|
| | |  |  |
| 10 | 0 | XG4A-1071 | XG4A-1074 |
| | 1 | XG4A-1031 | XG4A-1034 |
| 14 | 1 | XG4A-1431 | XG4A-1434 |
| 16 | 1 | XG4A-1631 | XG4A-1634 |
| 20 | 1 | XG4A-2031 | XG4A-2034 |
| 26 | 1 | XG4A-2631 | XG4A-2634 |
| 30 | 1 | XG4A-3031 | XG4A-3034 |
| 34 | 1 | XG4A-3431 | XG4A-3434 |
| 40 | 1 | XG4A-4031 | XG4A-4034 |
| 50 | 1 | XG4A-5031 | XG4A-5034 |
| | 2 (See note.) | XG4A-5071 | XG4A-5074 |
| 60 | 1 | XG4A-6031 | XG4A-6034 |
| | 2 (See note.) | XG4A-6071 | XG4A-6074 |
| 64 | 1 | XG4A-6431 | XG4A-6434 |
| | 2 (See note.) | XG4A-6471 | XG4A-6474 |

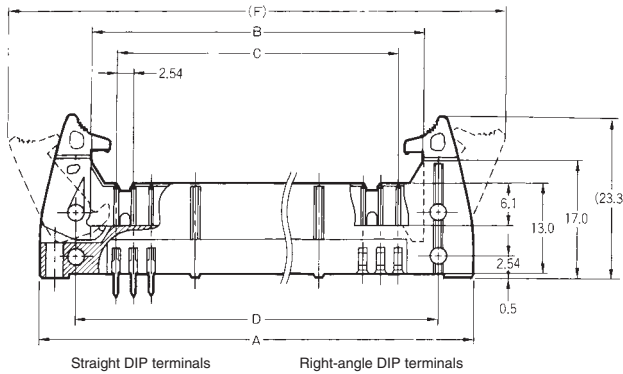
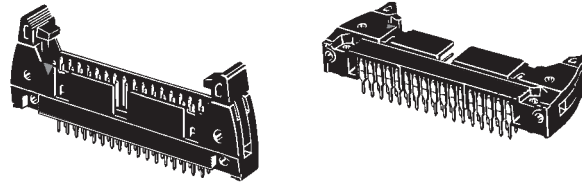
Note: Polarizing slot pitch is 22.86 mm.

XG4A MIL Plugs with Short Locks

■ Dimensions

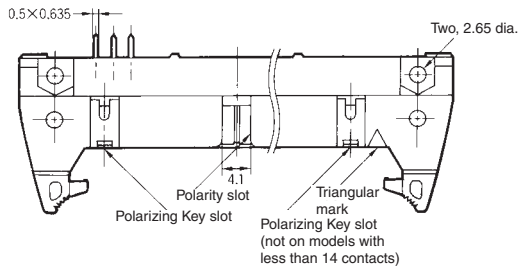
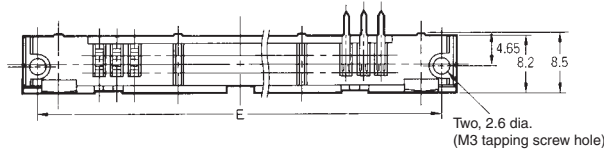
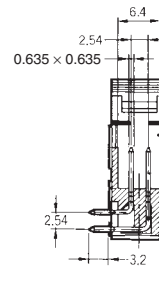
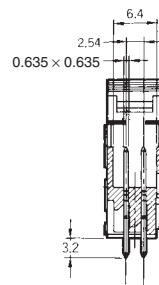
(Unit: mm)

XG4A-□□32/-□□72 (With straight DIP terminals)
 XG4A-□□35/-□□75 (With right-angle DIP terminals)

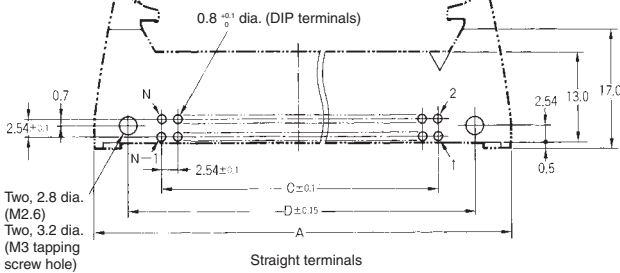


Straight DIP terminals

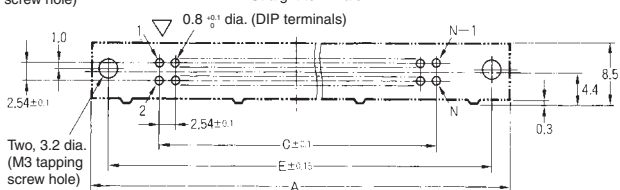
Right-angle DIP terminals



Mounting holes (bottom view)
 Right-angle terminals



Straight terminals



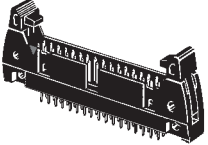
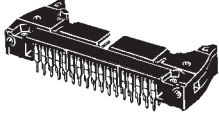
Dimensions

| No. of contacts | Dimensions (mm) | | | | | |
|-----------------|-----------------|------|-------|------|------|-------|
| | A | B | C | D | E | F |
| 10 | 32.0 | 17.5 | 10.16 | 21.8 | 27.9 | 40.4 |
| 14 | 37.1 | 22.6 | 15.24 | 26.9 | 33.0 | 45.5 |
| 16 | 39.6 | 25.2 | 17.78 | 29.5 | 35.6 | 48.0 |
| 20 | 44.7 | 30.2 | 22.86 | 34.5 | 40.6 | 53.1 |
| 26 | 52.3 | 37.9 | 30.48 | 42.2 | 48.3 | 60.7 |
| 30 | 57.4 | 42.9 | 35.56 | 47.2 | 53.3 | 65.8 |
| 34 | 62.5 | 48.0 | 40.64 | 52.3 | 58.4 | 70.9 |
| 40 | 70.1 | 55.6 | 48.26 | 59.9 | 66.0 | 78.5 |
| 50 | 82.8 | 68.3 | 60.96 | 72.6 | 78.7 | 91.2 |
| 60 | 95.5 | 81.0 | 73.66 | 85.3 | 91.4 | 103.9 |
| 64 | 100.6 | 86.1 | 78.74 | 90.4 | 96.5 | 109.0 |

Note: See page 16 for details on the availability (10-contact Connectors) and pitch (with 50, 60, or 64-contact Connectors) of polarity slots.

■ Ordering Information

Use in combination with sockets without strain-relief.

| No. of contacts | No. of polarizing slots | Plugs with straight DIP terminals | Plugs with right-angle DIP terminals |
|-----------------|-------------------------|---|--|
| | |  |  |
| 10 | 0 | XG4A-1072 | XG4A-1075 |
| | 1 | XG4A-1032 | XG4A-1035 |
| 14 | 1 | XG4A-1432 | XG4A-1435 |
| 16 | 1 | XG4A-1632 | XG4A-1635 |
| 20 | 1 | XG4A-2032 | XG4A-2035 |
| 26 | 1 | XG4A-2632 | XG4A-2635 |
| 30 | 1 | XG4A-3032 | XG4A-3035 |
| 34 | 1 | XG4A-3432 | XG4A-3435 |
| 40 | 1 | XG4A-4032 | XG4A-4035 |
| 50 | 1 | XG4A-5032 | XG4A-5035 |
| | 2 (See note.) | XG4A-5072 | XG4A-5075 |
| 60 | 1 | XG4A-6032 | XG4A-6035 |
| | 2 (See note.) | XG4A-6072 | XG4A-6075 |
| 64 | 1 | XG4A-6432 | XG4A-6435 |
| | 2 (See note.) | XG4A-6472 | XG4A-6475 |

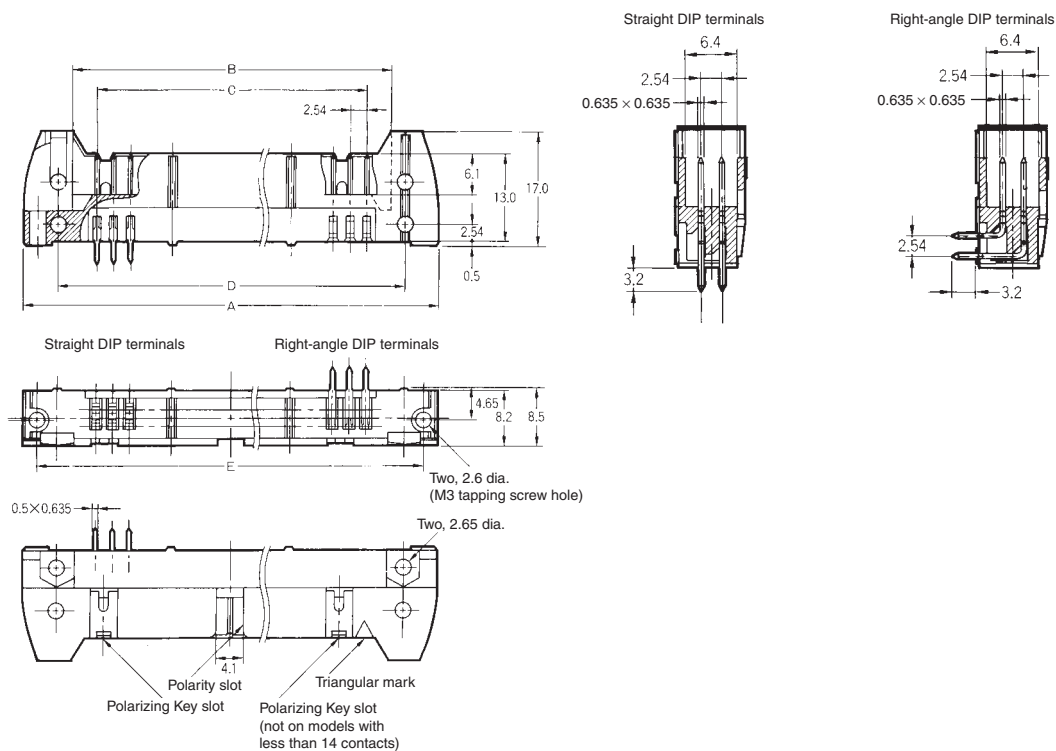
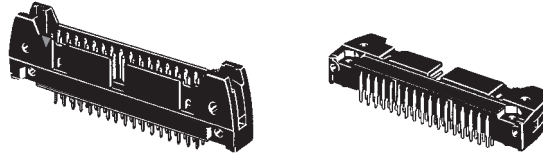
Note: Polarizing slot pitch is 22.86 mm.

XG4A MIL Plugs without Lock Levers (Lock Levers mounted later)

Dimensions

(Unit: mm)

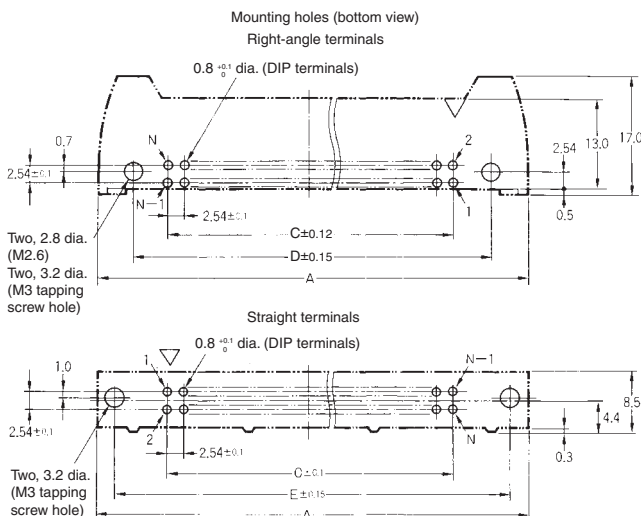
XG4A-□□33/-□□73 (With straight DIP terminals)
 XG4A-□□36/-□□76 (With right-angle DIP terminals)



Dimensions

| No. of contacts | Dimensions (mm) | | | | |
|-----------------|-----------------|------|-------|------|------|
| | A | B | C | D | E |
| 10 | 32.0 | 17.5 | 10.16 | 21.8 | 27.9 |
| 14 | 37.1 | 22.6 | 15.24 | 26.9 | 33.0 |
| 16 | 39.6 | 25.2 | 17.78 | 29.5 | 35.6 |
| 20 | 44.7 | 30.2 | 22.86 | 34.5 | 40.6 |
| 26 | 52.3 | 37.9 | 30.48 | 42.2 | 48.3 |
| 30 | 57.4 | 42.9 | 35.56 | 47.2 | 53.3 |
| 34 | 62.5 | 48.0 | 40.64 | 52.3 | 58.4 |
| 40 | 70.1 | 55.6 | 48.26 | 59.9 | 66.0 |
| 50 | 82.8 | 68.3 | 60.96 | 72.6 | 78.7 |
| 60 | 95.5 | 81.0 | 73.66 | 85.3 | 91.4 |
| 64 | 100.6 | 86.1 | 78.74 | 90.4 | 96.5 |

Note: See page 16 for details on the availability (10-contact Connectors) and pitch (with 50, 60, or 64-contact Connectors) of polarizing slots.



Ordering Information

| No. of contacts | No. of polarizing slots | Plugs with straight DIP terminals | Plugs right-angle DIP terminals |
|-----------------|-------------------------|-----------------------------------|---------------------------------|
| 10 | 0 | XG4A-1073 | XG4A-1076 |
| | 1 | XG4A-1033 | XG4A-1036 |
| 14 | 1 | XG4A-1433 | XG4A-1436 |
| 16 | 1 | XG4A-1633 | XG4A-1636 |
| 20 | 1 | XG4A-2033 | XG4A-2036 |
| 26 | 1 | XG4A-2633 | XG4A-2636 |
| 30 | 1 | XG4A-3033 | XG4A-3036 |
| 34 | 1 | XG4A-3433 | XG4A-3436 |
| 40 | 1 | XG4A-4033 | XG4A-4036 |
| 50 | 1 | XG4A-5033 | XG4A-5036 |
| | 2 (See note.) | XG4A-5073 | XG4A-5076 |
| 60 | 1 | XG4A-6033 | XG4A-6036 |
| | 2 (See note.) | XG4A-6073 | XG4A-6076 |
| 64 | 1 | XG4A-6433 | XG4A-6436 |
| | 2 (See note.) | XG4A-6473 | XG4A-6476 |

Note: Polarity slot pitch is 22.86 mm.

Lock Levers

- This series of Connectors allows you to attach Lock Levers on Right-angle Terminal Plugs after automated soldering is completed.
- Lock Levers can be easily mounted simply by manually pushing them in.



XG4Z-0010
Long Lock Lever



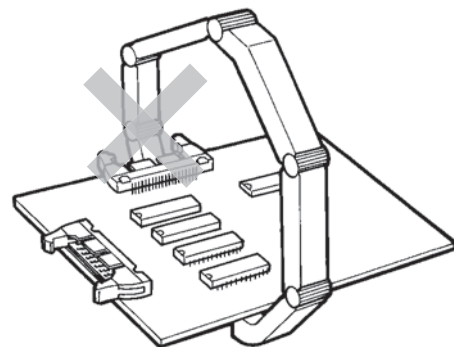
XG4Z-0011
Short Lock Lever

| Type | Model |
|-------------------|-----------|
| Long Lock Levers | XG4Z-0010 |
| Short Lock Levers | XG4Z-0011 |

Note: The left and right Lock Levers are identical. One pair is needed for each Plug.

Attachment after Soldering

- Long Levers interfere with automated mounting.
 - Long Levers are in the way when boards are packed.
- ↓
- These problems are resolved using Connectors with Long Levers that can be attached after soldering is completed.

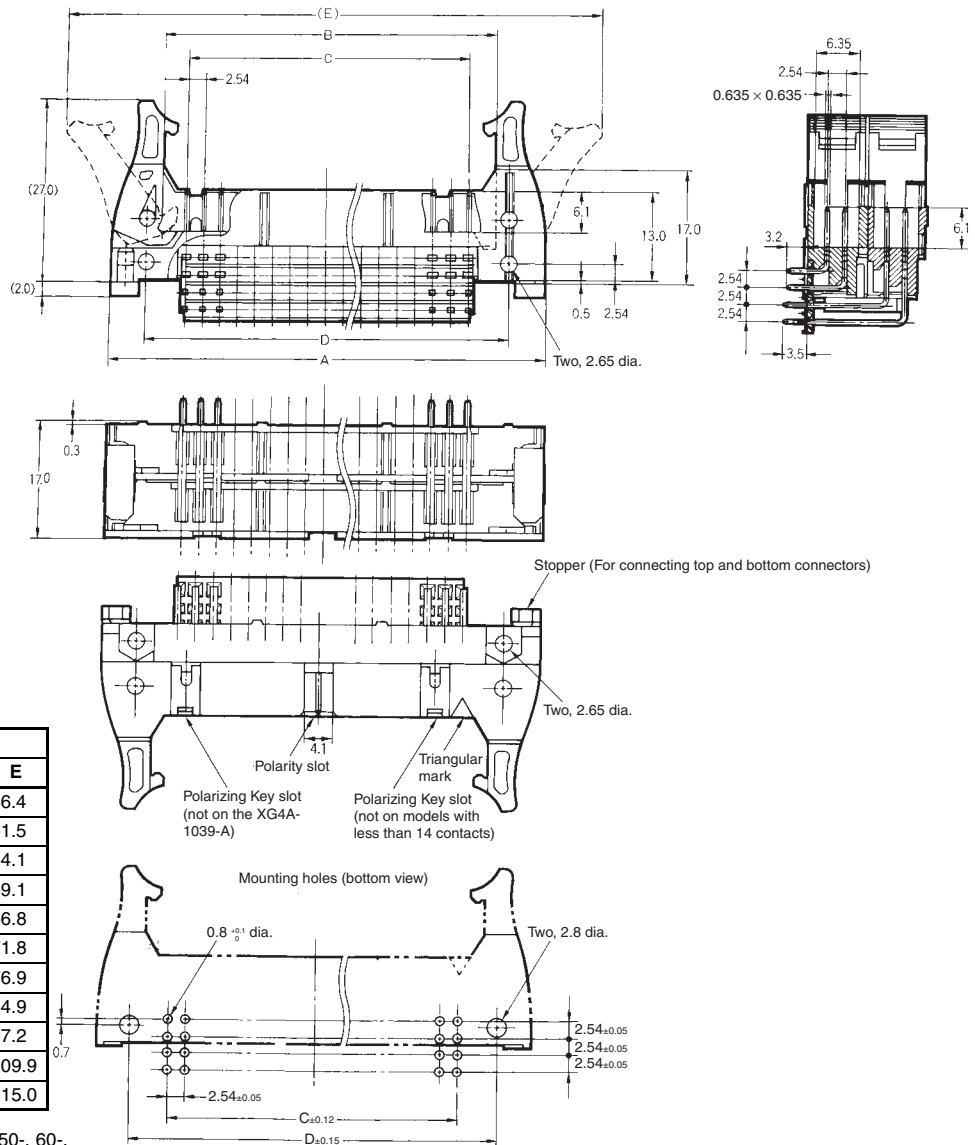
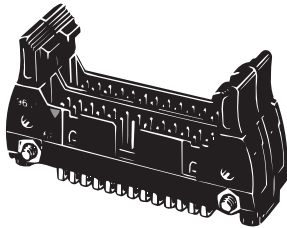


XG4A 2-tier Plugs with Long Lock

■ Dimensions

(Unit: mm)

XG4A-□□39-A/□□79-A
(With long locks and right-angle DIP terminals)



Dimensions

| No. of contacts | Dimensions (mm) | | | | |
|-----------------|-----------------|------|-------|------|-------|
| | A | B | C | D | E |
| 10 × 2 | 32.0 | 17.5 | 10.16 | 21.8 | 46.4 |
| 14 × 2 | 37.1 | 22.6 | 15.24 | 26.9 | 51.5 |
| 16 × 2 | 39.6 | 25.2 | 17.78 | 29.5 | 54.1 |
| 20 × 2 | 44.7 | 30.2 | 22.86 | 34.5 | 59.1 |
| 26 × 2 | 52.3 | 37.9 | 30.48 | 42.2 | 66.8 |
| 30 × 2 | 57.4 | 42.9 | 35.56 | 47.2 | 71.8 |
| 34 × 2 | 62.5 | 48.0 | 40.64 | 52.3 | 76.9 |
| 40 × 2 | 70.1 | 55.6 | 48.26 | 59.9 | 84.9 |
| 50 × 2 | 82.8 | 68.3 | 60.96 | 72.6 | 97.2 |
| 60 × 2 | 95.5 | 81.0 | 73.66 | 85.3 | 109.9 |
| 64 × 2 | 100.6 | 86.1 | 78.74 | 90.4 | 115.0 |

Note: Polarizing slot pitch is 22.86 mm for 50-, 60-, and 64-contact Connectors.

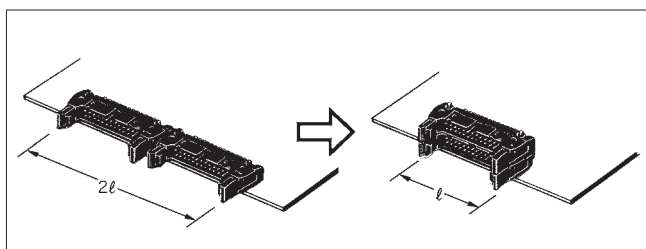
■ Ordering Information

| No. of contacts | No. of polarizing slots | Model | No. of contacts | No. of polarity slots | Model |
|-----------------|-------------------------|-------------|-----------------|-----------------------|-------------|
| 10 × 2 | 0 | XG4A-1079-A | 40 × 2 | 1 | XG4A-4039-A |
| | 1 | XG4A-1039-A | | | |
| 14 × 2 | 1 | XG4A-1439-A | 50 × 2 | 1 | XG4A-5039-A |
| 16 × 2 | 1 | XG4A-1639-A | | 2 (See note 2.) | XG4A-5079-A |
| 20 × 2 | 1 | XG4A-2039-A | 60 × 2 | 1 | XG4A-6039-A |
| 26 × 2 | 1 | XG4A-2639-A | | 2 (See note 2.) | XG4A-6079-A |
| 30 × 2 | 1 | XG4A-3039-A | 64 × 2 | 1 | XG4A-6439-A |
| 34 × 2 | 1 | XG4A-3439-A | | 2 (See note 2.) | XG4A-6479-A |

Note: 1. Set containing a stopper, mounting screw (assembled with washer) and nut.
Screw size: M2.6 x 20 mm

2. Polarizing slot pitch is 22.86 mm.

■ Mounting Example



■ 2-tier Plug Features

- Recommended for high-density mounting.
- MIL-compliant cable ensures faster delivery times and lower cost than half-pitch board cable. The 2.54-mm pitch simplifies patterning.

■ Applicable Sockets

| No. of contacts | No. of polarity slots | Model | XG4M for flat cable (See note 1.) | XG5M-N for discrete wire (See note 2.) |
|-----------------|-----------------------|-------------|--------------------------------------|---|
| 10 × 2 | 0 | XG4A-1079-A | XG4M-1031 | XG5M-103□-N |
| | 1 | XG4A-1039-A | XG4M-1030 | XG5M-103□-N |
| 14 × 2 | 1 | XG4A-1439-A | XG4M-1430 | XG5M-143□-N |
| 16 × 2 | 1 | XG4A-1639-A | XG4M-1630 | XG5M-163□-N |
| 20 × 2 | 1 | XG4A-2039-A | XG4M-2030 | XG5M-203□-N |
| 26 × 2 | 1 | XG4A-2639-A | XG4M-2630 | XG5M-263□-N |
| 30 × 2 | 1 | XG4A-3039-A | XG4M-3030 | XG5M-303□-N |
| 34 × 2 | 1 | XG4A-3439-A | XG4M-3430 | XG5M-343□-N |
| 40 × 2 | 1 | XG4A-4039-A | XG4M-4030 | XG5M-403□-N |
| 50 × 2 | 1 | XG4A-5039-A | XG4M-5030 | XG5M-503□-N |
| | 2 (See note 3.) | XG4A-5079-A | XG4M-5031 | |
| 60 × 2 | 1 | XG4A-6039-A | XG4M-6030 | XG5M-603□-N |
| | 2 (See note 3.) | XG4A-6079-A | XG4M-6031 | |
| 64 × 2 | 1 | XG4A-6439-A | XG4M-6430 | XG5M-643□-N |
| | 2 (See note 3.) | XG4A-6479-A | XG4M-6431 | |

- Note:**
1. Use with the supplied Strain Relief.
 2. Use with the supplied Semi-cover. Hood Cover cannot be used.
 3. Polarity slot pitch is 22.86 mm.

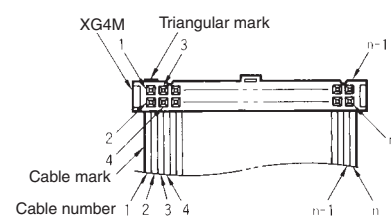
■ Cable Number and Contact Position

Cable and Corresponding Contact Number

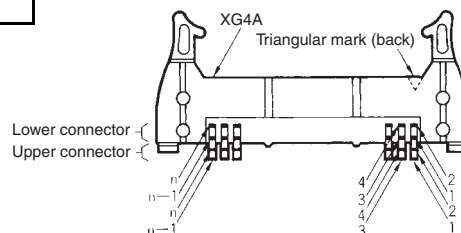
The contact numbers are not marked on the Connector. Use the triangular mark as a guide when wiring and designing circuit boards.

For the cable number, count starting from the cable mark side as shown below.

Socket (mating side)



Right-angle terminals (terminal side)



■ Precautions

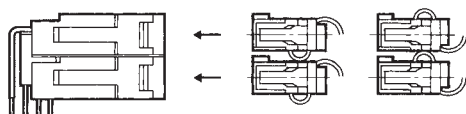
Correct Use

Mounting

- Be sure to anchor the board with screws before mounting.
- Note that a Polarizing Key cannot be mounted on the lower Plug.

Connecting the Socket

- Before connecting the XG4M with Strain Relief, remove as much slack from the cable as possible. Insert as shown below.
- Attach the Semi-cover before connecting the XG5M-N. It is not possible to use the Hood Cover.



Soldering

Automated Soldering Conditions (Jet Flow)

1. Soldering temperature: 250 ± 5°C
2. Continuous soldering time: Within 5 ± 1 s

Lock Lever Operation

When you operate the lock lever, do not force it past the movable range.

The connector may be damaged.

Do not use any type of tool to operate the lock lever. Operate it only with your hand.

The connector may be damaged.

Always release the lock mechanism before you disconnect the connector from the connected socket.

The connector may be damaged.

XG4E IDC Plugs

■ Dimensions

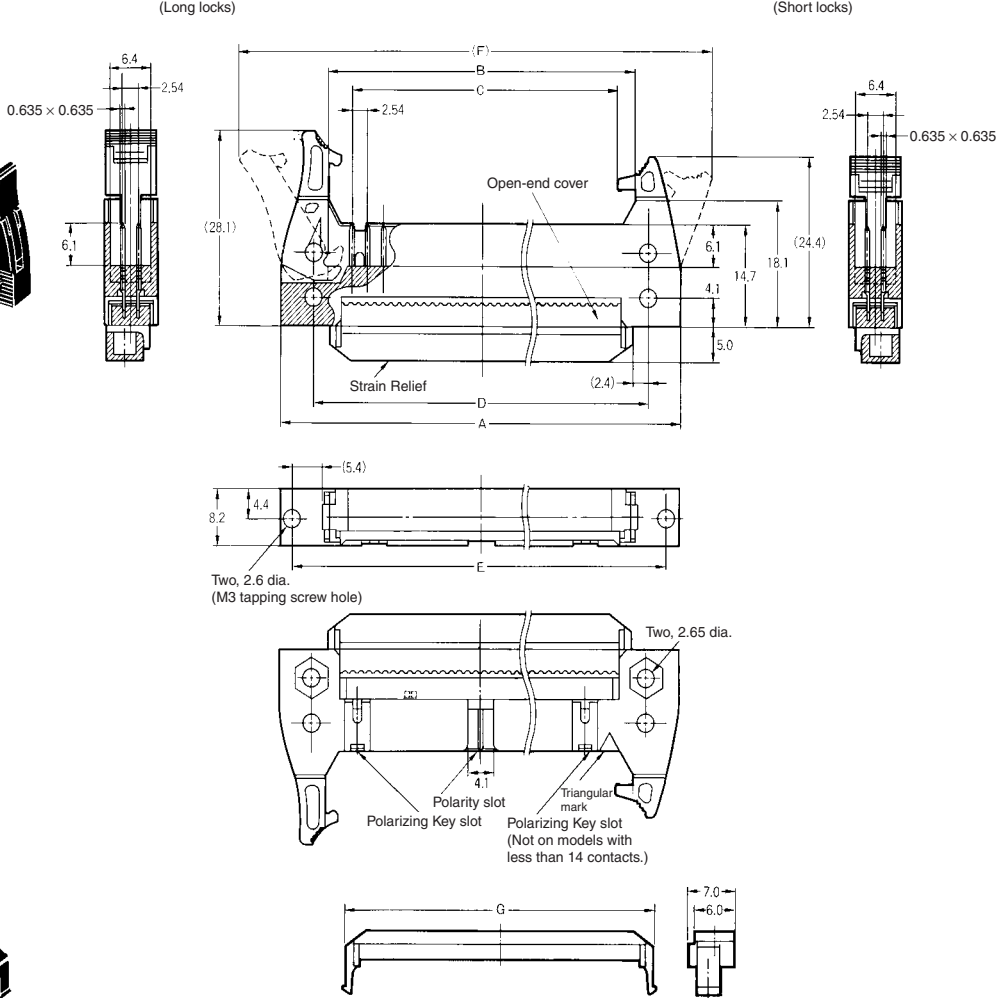
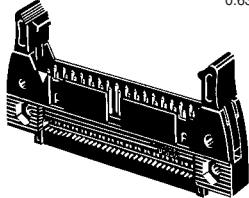
(Unit: mm)

XG4E-□□31/-□□71

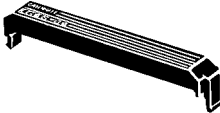
(With long locks)

XG4E-□□32/-□□72

(With short locks)



XG4S-□□04
Strain Relief



Dimensions

| No. of contacts | Dimensions (mm) | | | | | | | |
|-----------------|-----------------|------|-------|------|------|-----------|------------|------|
| | A | B | C | D | E | F | | G |
| | | | | | | Long Lock | Short Lock | |
| 10 | 32.0 | 17.5 | 10.16 | 21.8 | 27.9 | 46.4 | 40.4 | 16.9 |
| 14 | 37.1 | 22.6 | 15.24 | 26.9 | 33.0 | 51.5 | 45.5 | 22.0 |
| 16 | 39.6 | 25.2 | 17.78 | 29.5 | 35.6 | 54.1 | 48.0 | 24.6 |
| 20 | 44.7 | 30.2 | 22.86 | 34.5 | 40.6 | 59.1 | 53.1 | 29.6 |
| 26 | 52.3 | 37.9 | 30.48 | 42.2 | 48.3 | 66.8 | 60.7 | 38.0 |
| 30 | 57.4 | 42.9 | 35.56 | 47.2 | 53.3 | 71.8 | 65.8 | 42.3 |
| 34 | 62.5 | 48.0 | 40.64 | 52.3 | 58.4 | 76.9 | 70.9 | 47.4 |
| 40 | 70.1 | 55.6 | 48.26 | 59.9 | 66.0 | 84.5 | 78.5 | 55.0 |
| 50 | 82.8 | 68.3 | 60.96 | 72.6 | 78.7 | 97.2 | 91.2 | 67.7 |
| 60 | 95.5 | 81.0 | 73.66 | 85.3 | 91.4 | 109.9 | 103.9 | 80.4 |
| 64 | 100.6 | 86.1 | 78.74 | 90.4 | 96.5 | 115.0 | 109.0 | 85.5 |

Note: See the following page for details on the availability (10-contact Connectors) and pitch (with 50, 60, or 64-contact Connectors) of polarity slots.

Ordering Information

IDC Plugs

Use Long-lock Plugs together with Strain-relief Sockets, and use Short-lock Plugs together with Non-strain-relief Sockets.

| No. of contacts | No. of polarizing slots | Long-lock Plugs with Open-end Covers (See note 1.) | Short-lock Plugs with Open-end Covers (See note 1.) | Strain Reliefs for XG4E |
|-----------------|-------------------------|--|---|-------------------------|
| 10 | 0 | XG4E-1071 | XG4E-1072 | XG4S-1004 |
| | 1 | XG4E-1031 | XG4E-1032 | |
| 14 | 1 | XG4E-1431 | XG4E-1432 | XG4S-1404 |
| 16 | 1 | XG4E-1631 | XG4E-1632 | XG4S-1604 |
| 20 | 1 | XG4E-2031 | XG4E-2032 | XG4S-2004 |
| 26 | 1 | XG4E-2631 | XG4E-2632 | XG4S-2604 |
| 30 | 1 | XG4E-3031 | XG4E-3032 | XG4S-3004 |
| 34 | 1 | XG4E-3431 | XG4E-3432 | XG4S-3404 |
| 40 | 1 | XG4E-4031 | XG4E-4032 | XG4S-4004 |
| 50 | 1 | XG4E-5031 | XG4E-5032 | XG4S-5004 |
| | 2 (See note 2.) | XG4E-5071 | XG4E-5072 | |
| 60 | 1 | XG4E-6031 | XG4E-6032 | XG4S-6004 |
| | 2 (See note 2.) | XG4E-6071 | XG4E-6072 | |
| 64 | 1 | XG4E-6431 | XG4E-6432 | XG4S-6404 |
| | 2 (See note 2.) | XG4E-6471 | XG4E-6472 | |

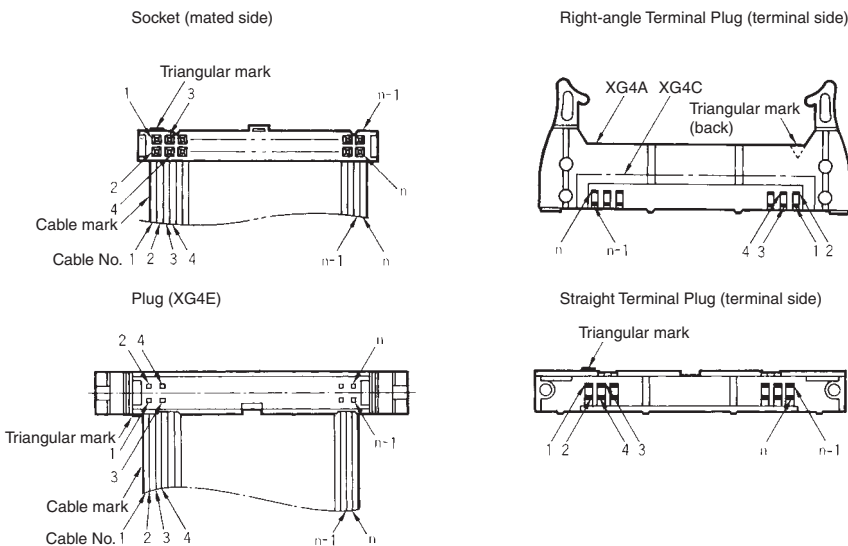
- Note:** 1. Strain Relief sold separately.
 2. Polarity slot pitch is 22.86 mm.

Cable Number and Contact Position

Cable and Corresponding Contact Number

The contact numbers are not marked on the Connector. Use the triangular mark as a guide when wiring and designing circuit boards.

For the cable number, count starting from the cable mark side as shown on the right.

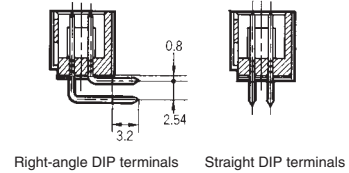
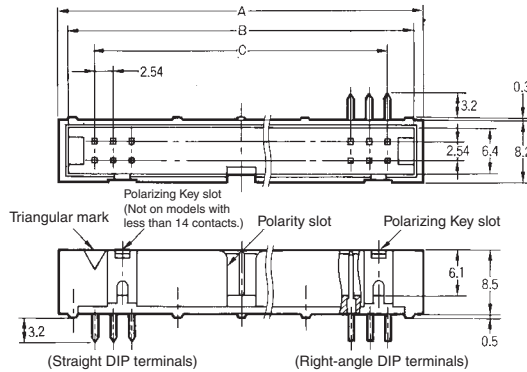
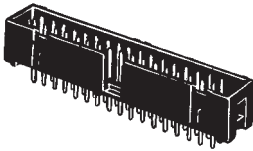


XG4C Box-type Plugs

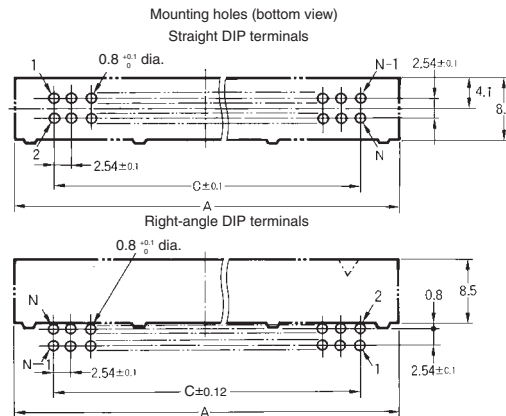
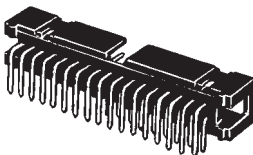
■ Dimensions

(Unit: mm)

XG4C-□□31/-□□71
(With straight DIP terminals)



XG4C-□□34/-□□74
(With right-angle DIP terminals)

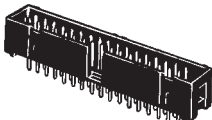
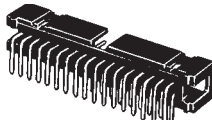


Dimensions

| No. of contacts | Dimensions (mm) | | |
|-----------------|-----------------|------|-------|
| | A | B | C |
| 10 | 20.0 | 17.5 | 10.16 |
| 14 | 25.1 | 22.6 | 15.24 |
| 16 | 27.6 | 25.2 | 17.78 |
| 20 | 32.7 | 30.2 | 22.86 |
| 26 | 40.3 | 37.9 | 30.48 |
| 30 | 45.4 | 42.9 | 35.56 |
| 34 | 50.5 | 48.0 | 40.64 |
| 40 | 58.1 | 55.6 | 48.26 |
| 50 | 70.8 | 68.3 | 60.96 |
| 60 | 83.5 | 81.0 | 73.66 |
| 64 | 88.6 | 86.1 | 78.74 |

Note: See the following page for details on the availability (10-contact Connectors) and pitch (with 50, 60, or 64-contact Connectors) of polarity slots.

■ Ordering Information

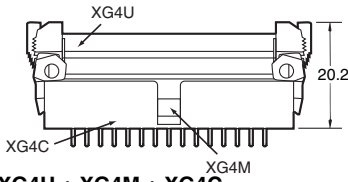
| No. of contacts | No. of polarizing slots | Plugs with straight DIP terminals | Plugs with right-angle DIP terminals |
|-----------------|-------------------------|---|--|
| | |  |  |
| 10 | 0 | XG4C-1071 | XG4C-1074 |
| | 1 | XG4C-1031 | XG4C-1034 |
| 14 | 1 | XG4C-1431 | XG4C-1434 |
| 16 | 1 | XG4C-1631 | XG4C-1634 |
| 20 | 1 | XG4C-2031 | XG4C-2034 |
| 26 | 1 | XG4C-2631 | XG4C-2634 |
| 30 | 1 | XG4C-3031 | XG4C-3034 |
| 34 | 1 | XG4C-3431 | XG4C-3434 |
| 40 | 1 | XG4C-4031 | XG4C-4034 |
| 50 | 1 | XG4C-5031 | XG4C-5034 |
| | 2 (See note 1.) | XG4C-5071 | XG4C-5074 |
| 60 | 1 | XG4C-6031 | XG4C-6034 |
| | 2 (See note 1.) | XG4C-6071 | XG4C-6074 |
| 64 | 1 | XG4C-6431 | XG4C-6434 |
| | 2 (See note 1.) | XG4C-6471 | XG4C-6474 |

Note: 1. Polarizing slot pitch is 22.86 mm.

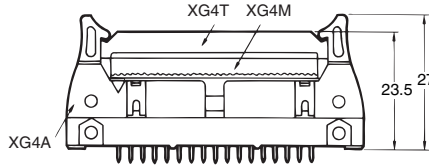
2. The Box-type Plug can be locked using Lock Lever II (sold separately). (See XG4Z-0002 on page 19.)

■ Mating Diagrams for XG4M

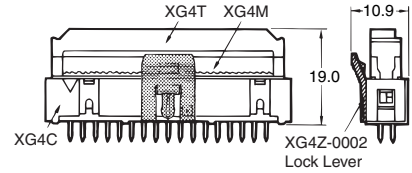
XG4U + XG4M + XG4C
(With straight terminals)



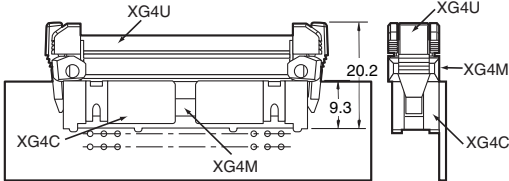
XG4T + XG4M + XG4A



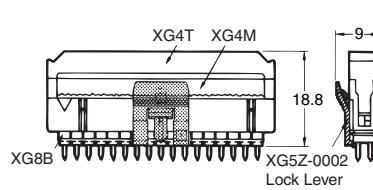
XG4T + XG4M + XG4C + Lock Lever



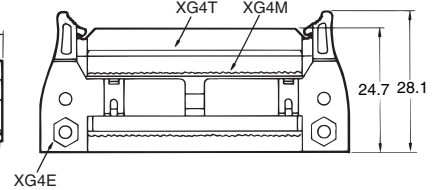
XG4U + XG4M + XG4C
(With right-angle terminals)



XG4T + XG4M + XG8B (Original Plug) + Lock Lever



XG4T + XG4M + XG4E



■ Polarity Slot and Polarizing Key Slot Number and Position

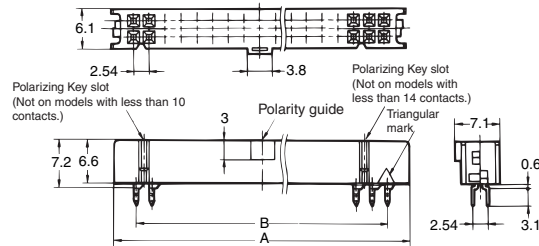
| Classification | No. of contacts | | | | |
|---|---|---------------|---------------|---|--|
| | 10 contacts | | 14 contacts | 16 to 40 contacts | 50 to 64 contacts |
| XG4M MIL Sockets | XG4M-1031 | XG4M-1030 | XG4M-1430 | XG4M-1630 to XG4M-6430 Polarizing Key slot | XG4M-5031, XG4M-6031, XG4M-6431 Polarizing guide |
| | XG4A-107□ | XG4A-103□ | XG4A-143□ | XG4A-163□ to XG4A-643□ Polarizing Key slot | XG4A-507□, XG4A-607□, XG4A-647□ Polarizing slot |
| XG4E MIL Plugs IDC Plugs | XG4E-107□ | XG4E-103□ | XG4E-143□ | XG4E-163□ to XG4E-643□ Polarizing slot | XG4E-507□, XG4E-607□, XG4E-647□ Polarizing slot |
| | XG4C-107□ | XG4C-103□ | XG4C-143□ | XG4C-163□ to XG4C-643□ Polarizing slot | XG4C-507□, XG4C-607□, XG4C-647□ Polarizing slot |
| XG4C Box-type Plugs | | | | | |
| | No. of polarizing guides (Polarizing Slots) | 0 | 1 | 1 | 1 2 (H = 22.86 mm) |
| No. of Polarizing Key slot (Polarizing Key Slots) | 1 | 0 | 1 | 2 | 2 |

XG4H Board-to-Board Sockets

■ Dimensions

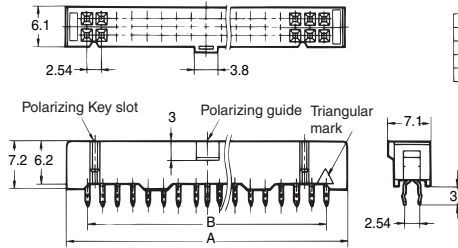
(Unit: mm)

XG4H-□□31/□□71
(With straight DIP terminals)

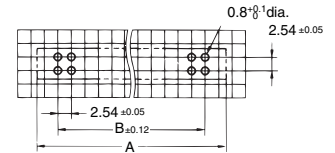


XG4H-3431-1
XG4H-4031-1
(With straight DIP terminals)

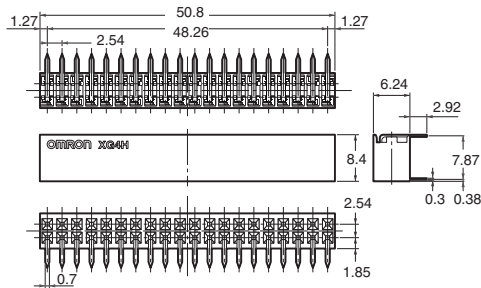
*Sockets with model numbers ending in -1 are available only with 34 or 40 contacts (provide kinked terminals and standoff to prevent the Sockets from falling over).



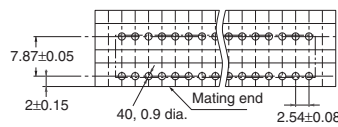
Mounting holes (bottom view)



XG4H-4034
(With right-angle DIP terminals)



Mounting holes (bottom view)



Dimensions

| No. of contacts | A | B |
|-----------------|------|-------|
| 10 | 17.3 | 10.16 |
| 14 | 22.3 | 15.24 |
| 16 | 24.9 | 17.78 |
| 20 | 30.0 | 22.86 |
| 26 | 37.6 | 30.48 |
| 30 | 42.7 | 35.56 |
| 34 | 47.7 | 40.64 |
| 40 | 55.4 | 48.26 |
| 50 | 68.1 | 60.96 |
| 60 | 80.8 | 73.66 |
| 64 | 85.8 | 78.74 |

■ Ordering Information

| No. of contacts | No. of polarizing slots | Sockets with straight DIP terminals |
|-----------------|-------------------------|-------------------------------------|
| | | |
| 10 | 1 | XG4H-1031 |
| 14 | 1 | XG4H-1431 |
| 16 | 1 | XG4H-1631 |
| 20 | 1 | XG4H-2031 |
| 26 | 1 | XG4H-2631 |
| 30 | 1 | XG4H-3031 |
| 34 | 1 | XG4H-3431-1 |
| 40 | 1 | XG4H-4031-1 |
| 50 | 1 | XG4H-5031 |
| | 2 (See note.) | XG4H-5071 |
| 60 | 1 | XG4H-6031 |
| | 2 (See note.) | XG4H-6071 |
| 64 | 1 | XG4H-6431 |
| | 2 (See note.) | XG4H-6471 |

| No. of contacts | Sockets with right-angle DIP terminals |
|-----------------|--|
| | |
| 40 | XG4H-4034 |

Note: Polarizing guide pitch is 22.86 mm.

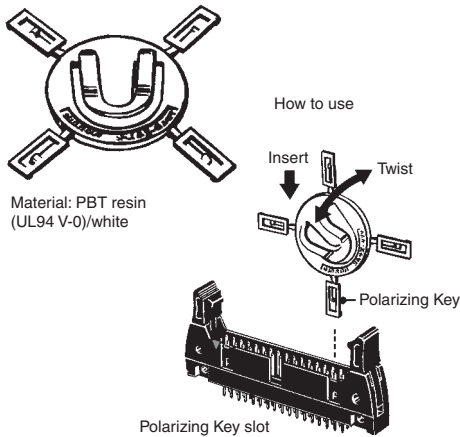
■ Mating Diagrams for XG4H

| Plug | XG8W Original Plugs | XG4C Box-type Plugs |
|--|---------------------|--|
| Socket XG4H-□□31/-□□71 (With straight DIP terminals) | | |
| XG4H-4034 (With right-angle DIP terminals) | | <p style="text-align: center;">---</p> |

Tools and Accessories (Sold Separately)

XG4Z-0004 Polarizing Key

Polarity guides and slots can be used by themselves to help prevent reverse insertion. Use the Polarizing Key as well for best results.

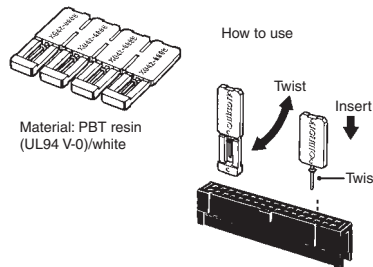


Note: Each XG4Z-0004 has 4 Polarizing Keys.

XG4Z-0005 Coding Pin

(To prevent erroneous insertion)

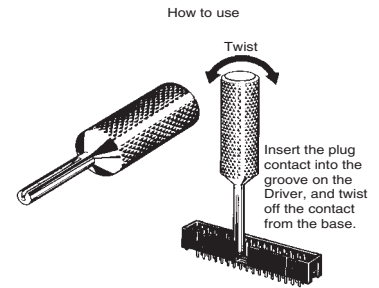
The Coding Pin is used to prevent confusion when many Connectors with the same number of contacts are lined up. It can also be used to prevent reverse insertion when using Connectors without a shroud like the XG8 Unshrouded Plug. The Coding Pin can also be used with XC5, and XC6 DIN Connectors as well as with XG5 Discrete-wire IDC Connectors.



Note: 1. A contact with a Coding Pin inserted cannot be used.
2. Each XG4Z-0005 has 4 Polarizing Keys.

XY2E-0002 Contact Cutting Driver

The Contact Cutting Driver is used to cut (twist off) a contact on the mating Plug when using an XG4Z-0005 Coding Pin.

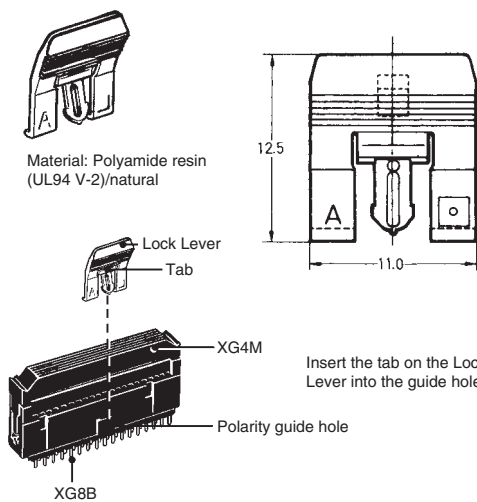


| Model |
|-----------|
| XG4Z-0004 |
| XG4Z-0005 |
| XY2E-0002 |

Lock Lever for XG8B and XG8W Plugs (With Right-angle Terminals)

XG5Z-0002

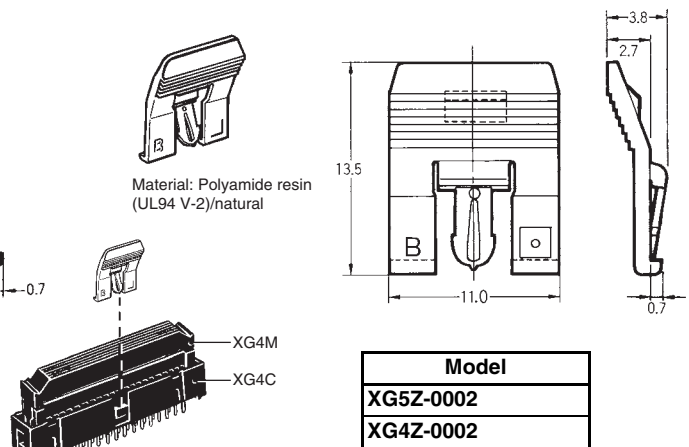
Use to lock Unshrouded Plugs (for XG8B and XG8W Plugs with right-angle terminals).



Lock Lever II for XG4C Plugs

XG4Z-0002

Use to lock XG4C Box-type Plugs.



| Model |
|-----------|
| XG5Z-0002 |
| XG4Z-0002 |

Precautions

Correct Use

Automated Soldering Conditions (Jet Flow)

1. Soldering temperature: 250 ±5°C
2. Continuous soldering time: Within 5±1 s

Soldering

Solder-mount the XG4A with the lock levers fully closed or fully open.

Solder-mounting the XG4A with the lock lever half-open may cause play in lock lever due to thermal deformation of the housing.

Storage

If the lock levers of the XG4A or XG4E connector are left at an intermediate position for a long time, they may get to feel loose in operation due to deterioration of the plastic part. When the lock levers are not used, store the plug with the lock levers fully closed or fully open.

- Application examples provided in this document are for reference only. In actual applications, confirm equipment functions and safety before using the product.
- Consult your OMRON representative before using the product under conditions which are not described in the manual or applying the product to nuclear control systems, railroad systems, aviation systems, vehicles, combustion systems, medical equipment, amusement machines, safety equipment, and other systems or equipment that may have a serious influence on lives and property if used improperly. Make sure that the ratings and performance characteristics of the product provide a margin of safety for the system or equipment, and be sure to provide the system or equipment with double safety mechanisms.

Note: Do not use this document to operate the Unit.